

# Istruzioni per l'uso

## COMBINATO FRIGORIFERO/CONGELATORE

**I****Italiano, 1****GB****English, 11****F****Français, 21****E****Espanol, 31****P****Portuges, 41****PL****Polski, 51****BMBM 1821 V (FR)/HA**

### Sommario

#### Installazione, 2

Posizionamento e collegamento  
Reversibilità apertura porte

#### Descrizione dell'apparecchio, 3

Vista d'insieme

#### Avvio e utilizzo, 4-5

Avviare l'apparecchio  
Regolazione della temperatura  
Sistema di raffreddamento  
Utilizzare al meglio il frigorifero  
Utilizzare al meglio il congelatore

#### Manutenzione e cura, 6-7

Escludere la corrente elettrica  
Pulire l'apparecchio  
Evitare muffe e cattivi odori  
Sbrinare l'apparecchio  
Sostituire la lampadina  
PURE WIND PLUS Manutenzione dei filtri

#### Precauzioni e consigli, 8

Sicurezza generale  
Smaltimento  
Risparmiare e rispettare l'ambiente

#### Anomalie e rimedi, 9

#### Assistenza, 10

Assistenza attiva 7 giorni su 7

 **Hotpoint**  

---

**ARISTON**



# Operating Instructions

## REFRIGERATOR/FREEZER COMBINATION

GB



Italiano, 1



**English, 11**



Français, 21



Espanol, 31



Portuges, 41



Polski, 51

**BMBM 1821 V (FR)/HA**

### Contents

#### Installation, 12

Positioning and connection  
Reversible doors

#### Description of the appliance, 13

Overall view

#### Start-up and use, 14-15

Starting the appliance  
Setting the temperature  
Chiller system  
Using the refrigerator to its full potential  
Using the freezer to its full potential

#### Maintenance and care, 16-17

Switching the appliance off  
Cleaning the appliance  
Avoiding mould and unpleasant odours  
Defrosting the appliance  
Replacing the light bulb  
PURE WIND PLUS Filter maintenance

#### Precautions and tips, 18

General safety  
Disposal  
Respecting and conserving the environment

#### Troubleshooting, 19

#### Assistance, 20

QUELFRIG.COM

 **Hotpoint**  

---

**ARISTON**



# Installation

GB

! Before placing your new appliance into operation please read these operating instructions carefully. They contain important information for safe use, for installation and for care of the appliance.

! Please keep these operating instructions for future reference. Pass them on to possible new owners of the appliance.

## Positioning and connection

### Positioning

1. Place the appliance in a well-ventilated humidity-free room.
2. Do not obstruct the rear fan grills. The compressor and condenser give off heat and require good ventilation to operate correctly and save energy.
3. Leave a space of at least 10 cm between the top part of the appliance and any furniture above it, and at least 5 cm between the sides and any furniture/side walls.
4. Ensure the appliance is away from any sources of heat (direct sunlight, electric stove, etc.).
5. In order to maintain the correct distance between the appliance and the wall behind it, fit the spacers supplied in the installation kit, following the instructions provided.

### Levelling

1. Install the appliance on a level and rigid floor.
2. If the floor is not perfectly horizontal, adjust the refrigerator by tightening or loosening the front feet.

### Electrical connections

After the appliance has been transported, carefully place it vertically and wait at least 3 hours before connecting it to the electricity mains. Before inserting the plug into the electrical socket ensure the following:

- The appliance is earthed and the plug is compliant with the law.
- The socket can withstand the maximum power of the appliance, which is indicated on the data plate located on the bottom left side of the fridge (e.g. 150 W).
- The voltage must be in the range between the values indicated on the data plate located on the bottom left side (e.g. 220-240V).
- The socket is compatible with the plug of the appliance. If the socket is incompatible with the plug, ask an authorised technician to replace it (see Assistance). Do not use extension cords or multiple sockets.

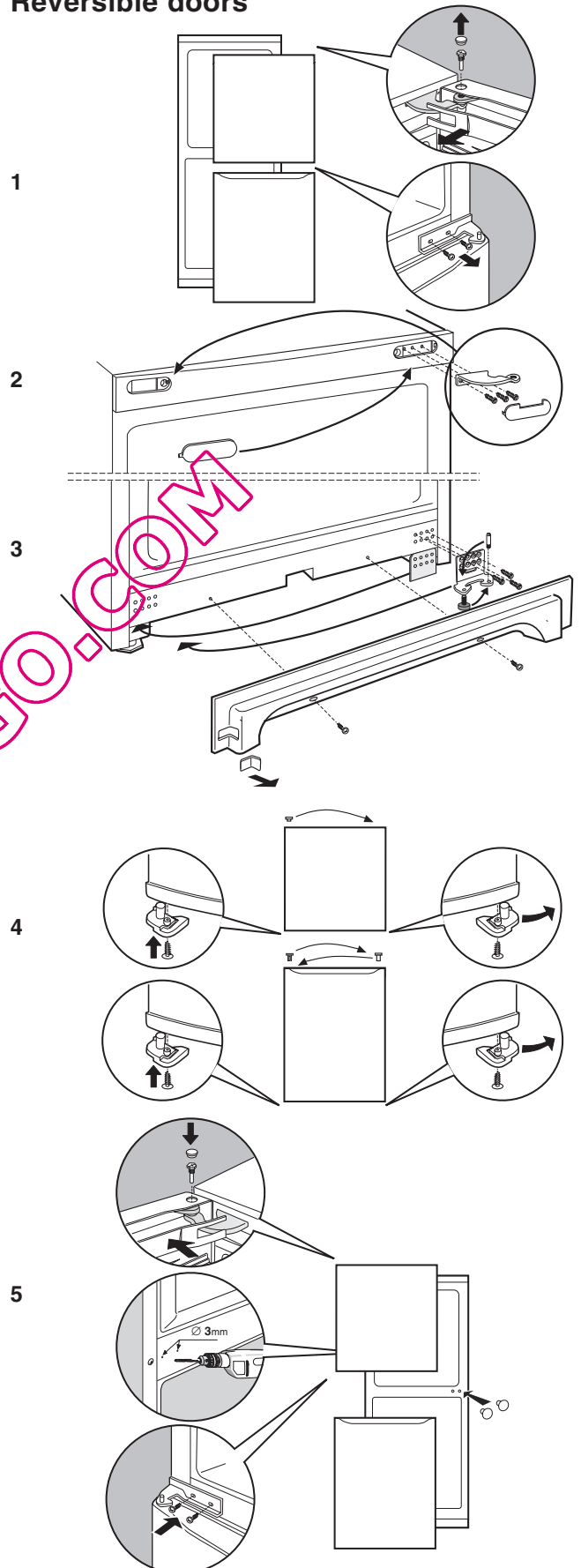
! Once the appliance has been installed, the power supply cable and the electrical socket must be easily accessible.

! The cable must not be bent or compressed.

! The cable must be checked regularly and replaced by authorised technicians only (see Assistance).

**! The manufacturer declines any liability should these safety measures not be observed.**

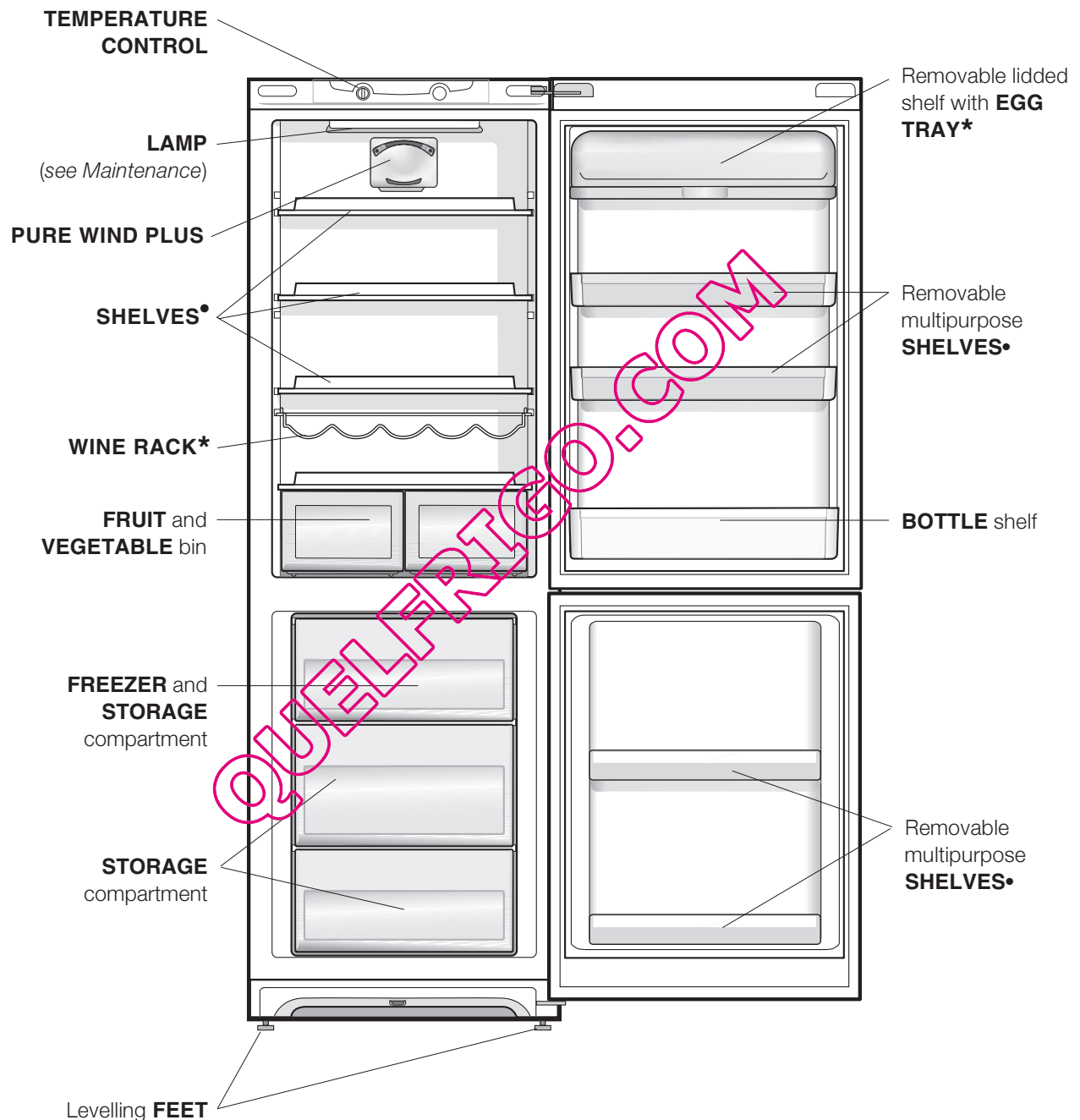
## Reversible doors



# Description of the appliance

## Overall view

The instructions contained in this manual are applicable to different model refrigerators. The diagrams may not directly represent the appliance purchased. For more complex features, consult the following pages.



• Varies by number and/or position.

\* Available only on certain models.

# Start-up and use

GB

## Starting the appliance

**! Before starting the appliance, follow the installation instructions** (see *Installation*).

**! Before connecting the appliance, clean the compartments and accessories well with lukewarm water and bicarbonate.**

1. Insert the plug into the socket and ensure that the internal light illuminates.
2. Turn the TEMPERATURE ADJUSTMENT knob to an average value. After a few hours you will be able to put food in the refrigerator.

## Setting the temperature

The temperature inside the refrigerator compartment automatically adjusts itself according to the position of the thermostat knob.

**1** = warmest

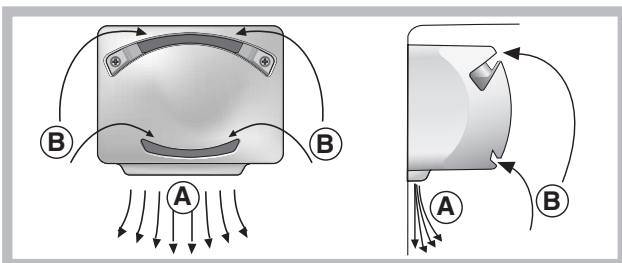
**MAX** = coldest

We recommend, however, a medium position.

The cooling section of the refrigerator is located inside the back wall of the refrigerator compartment for increased space and improved aesthetics. During operation, the back wall will be covered in frost or water droplets depending on whether the compressor is operating or paused. Do not worry, the refrigerator is functioning normally.

## PURE WIND PLUS

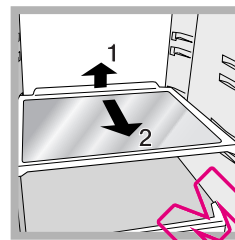
It is recognizable due to the presence of the mechanism on the top part of the refrigerator compartment (see *diagram*).



Pure Wind Plus maximises air circulation, improving the efficiency of the evaporator and helping to achieve the optimal temperature inside the refrigerator as quickly as possible each time it has been opened. The blown air (A) is cooled when it comes into contact with the cold wall, whereas the hotter air (B) is sucked up (see *diagram*).

The back wall may be covered in frost or droplets of water, depending on whether the compressor is in operation or whether it is paused.

If the TEMPERATURE ADJUSTMENT knob has been set on high values with large quantities of food and with a high ambient temperature, the appliance can operate continuously, resulting in excessive frost formation and excessive energy consumption: compensate for this by shifting the knob towards lower values (defrosting will occur automatically).



**SHELVES:** with or without grill. Due to the special guides the shelves are removable and the height is adjustable (see *diagram*), allowing easy storage of large containers and food. Height can be adjusted without complete removal of the shelf.

**TEMPERATURE** Indicator light: to identify the coldest area in the refrigerator.

1. Check that OK appears clearly on the indicator light (see *diagram*).



2. If the word "OK" does not appear it means that the temperature is too high: adjust the REFRIGERATOR OPERATION knob to a higher position (colder) and wait approximately 10 hours until the temperature has been stabilised.
3. Check the indicator light again: if necessary, readjust it following the initial process. If large quantities of food have been added or if the refrigerator door has been opened frequently, it is normal for the indicator not to show OK. Wait at least 10 hours before adjusting the REFRIGERATOR OPERATION knob to a higher setting.

## Using the refrigerator to its full potential

- Use the REFRIGERATOR OPERATION knob to adjust the temperature (see *Description*).
- Place only cold or lukewarm foods in the compartment, not hot foods (see *Precautions and tips*).
- Remember that cooked foods do not last longer than raw foods.
- Do not store liquids in open containers. They will increase humidity in the refrigerator and cause condensation to form.

### Food hygiene

1. Once you have bought your food, remove all external packaging made of paper/cardboard or other wrappers, which could introduce bacteria or dirt inside your refrigerator.
2. Protect the food, (especially easily perishable items and those that have a strong smell), in order to avoid contact between them, thereby removing both the possibility of germ/bacteria contamination as well as the diffusion of strong odours inside the fridge.
3. Store all food in such a way as to ensure air can circulate freely between different items.
4. Keep the inside of your fridge clean, taking care not to use oxidiser or abrasive products.
5. Remove all food past its expiry date from the refrigerator.
6. For the correct preservation of food, all easily perishable items (soft cheeses, raw fish, meat, etc.) should be stored in the coldest zone of the fridge compartment, i.e. just above the salad crisper where the temperature indicator is situated.

## Using the freezer to its full potential

- Do not re-freeze food that is defrosting or that has already been defrosted. These foods must be cooked and eaten (within 24 hours).
  - Fresh food that needs to be frozen must not come into contact with food that has already been defrosted. Fresh food must be stored above the grill in the freezer compartment and if possible be in direct contact with the walls (side and rear), where the temperature drops below  $-18^{\circ}\text{C}$  and guarantees rapid freezing.
  - Do not place glass bottles which contain liquids, and which are corked or hermetically sealed in the freezer because they could break.
  - The maximum quantity of food that may be frozen daily is indicated on the plate containing the technical properties located on the bottom left side of the refrigerator compartment (for example: Kg/24h: 4).
  - In order to obtain a greater amount of space in the freezer compartment, you may remove the bins (except the lowest bin and the special COOL CARE ZONE bin, which has an adjustable temperature) and place the food directly onto the evaporator plates.
- ! Do not open the door during freezing.
- ! If there is a power cut or malfunction, do not open the freezer door. This will help maintain the temperature inside the freezer, ensuring that foods are conserved for at least 9 -14 hours.
- ! If the room temperature drops below  $14^{\circ}\text{C}$  for an extended period of time, the ideal temperature will not be reached in the freezer compartment and food preservation will be reduced.

# Maintenance and care

GB

## Switching the appliance off

During cleaning and maintenance it is necessary to disconnect the appliance from the electricity supply. It is not sufficient to set the temperature adjustment knobs on **OFF** (appliance off) to eliminate all electrical contact.

## Cleaning the appliance

- The external and internal parts, as well as the rubber seals may be cleaned using a sponge that has been soaked in lukewarm water and bicarbonate of soda or neutral soap. Do not use solvents, abrasive products, bleach or ammonia.
- The removable accessories may be soaked in warm water and soap or dishwashing liquid. Rinse and dry them carefully.
- The back of the appliance may collect dust which can be removed by delicately using the hose of a vacuum cleaner set on medium power. The appliance must be switched off and the plug must be pulled out before cleaning the appliance.

## Avoiding mould and unpleasant odours

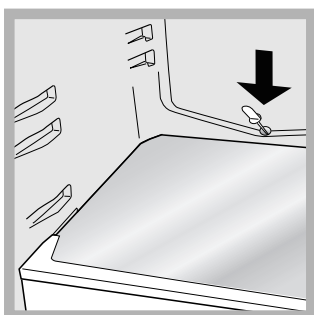
- The appliance is manufactured with hygienic materials which are odour free. In order to maintain an odour free refrigerator and to prevent the formation of stains, food must always be covered or sealed properly.
- If you want to switch the appliance off for an extended period of time, clean the inside and leave the doors open.

## Defrosting the appliance

! Follow the instructions below.

Do not use objects with sharp or pointed edges to defrost the appliance as these may damage the refrigeration circuit beyond repair.

## Defrosting the refrigerator compartment



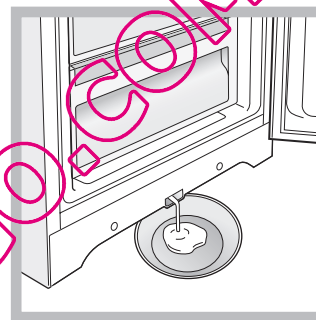
The refrigerator has an automatic defrosting function: water is ducted to the back of the appliance by a special discharge outlet (see diagram) where the heat produced by the compressor causes it to evaporate. It is necessary to clean the discharge

hole regularly so that the water can flow out easily.

## Defrosting the freezer compartment

Remove frost regularly using the special scraper provided. If the frost layer is greater than 5 mm, it is necessary to defrost manually:

1. Set the TEMPERATURE ADJUSTMENT knob to the position **OFF**.
2. Wrap frozen foods in newspaper and place them in another freezer or in a cool place.
3. Leave the door open until the frost has melted completely. This can be made easier by placing containers with lukewarm water in the freezer compartment.



4. Certain appliances are fitted with the DRAIN SYSTEM to lead the water outside: let the water flow into a container (see diagram).

5. Clean and dry the freezer compartment carefully before switching the appliance on again.

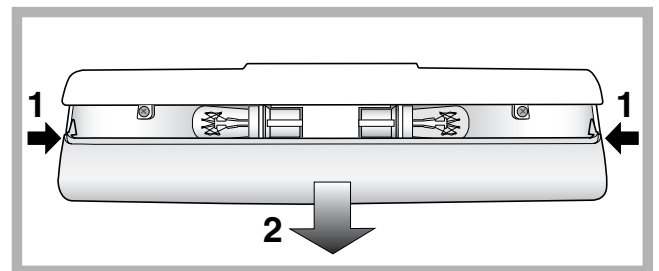
6. Wait for approximately 2 hours, i.e. until the ideal storage conditions have been restored, before placing food in the freezer compartment.

## Replacing the light bulb

To replace the light bulb in the refrigerator compartment, pull out the plug from the electrical socket. Follow the instructions below.

Access the light bulb by removing the cover as indicated in the diagram.

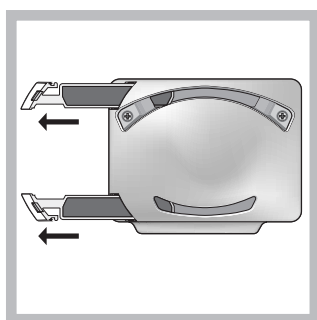
Replace it with a similar light bulb within the power range indicated on the cover (15W or 25W).



## **PURE WIND PLUS** **Filter maintenance**

Unhook the filters from the left side of the cover by inserting the tip of a small screwdriver into the gaps (see attached pictures).

Wash the filters regularly (every 12-18 months) under running water, using a neutral detergent to remove any stubborn build-up. Leave the filters to dry before replacing them. If the filters cannot be removed, or if they are difficult to remove, please contact the Technical Assistance Service.




QUELFRIGO.COM



# Precautions and tips

GB

! The appliance was designed and manufactured in compliance with international safety standards. The following warnings are provided for safety reasons and must be read carefully.

-  This appliance complies with the following Community Directives:
- 73/23/EEC of 19/02/73 (Low Voltage) and subsequent amendments;
  - 89/336/EEC of 03.05.89 (Electromagnetic Compatibility) and subsequent amendments;
  - 2002/96/CE..



## General safety

- The appliance was designed for domestic use inside the home and is not intended for commercial or industrial use.
- The appliance must be used to store and freeze food products by adults only and according to the instructions in this manual.
- The appliance must not be installed outdoors, even in covered areas. It is extremely dangerous to leave the appliance exposed to rain and storms.
- Do not touch the appliance with bare feet or with wet or moist hands and feet.
- Do not touch the internal cooling elements: this could cause skin abrasions or frost/freezer burns.
- When unplugging the appliance always pull the plug from the mains socket, do not pull on the cable.
- Before cleaning and maintenance, always switch off the appliance and disconnect it from the electrical supply. It is not sufficient to set the temperature adjustment knobs on **OFF** (appliance off) to eliminate all electrical contact.
- In the case of a malfunction, under no circumstances should you attempt to repair the appliance yourself. Repairs carried out by inexperienced persons may cause injury or further malfunctioning of the appliance.
- Do not use any sharp or pointed utensils or electrical equipment - other than the type recommended by the manufacturer - inside the frozen food storage compartments.
- Do not put ice cubes taken directly from the freezer into your mouth.
- Do not allow children to tamper with the controls or play with the appliance. Under no circumstance should they be allowed to sit on the bins or to hang from the door.
- Keep packaging material out of the reach of children! It can become a choking or suffocation hazard.

## Disposal

- Observe local environmental standards when disposing packaging material for recycling purposes.
- The European Directive 2002/96/EC on Waste Electrical and Electronic Equipment (WEEE), requires that old household electrical appliances must not be disposed of in the normal unsorted municipal waste stream. Old appliances must be collected separately in order to optimise the recovery and recycling of the materials they contain and reduce the impact on human health and the environment. The crossed out "wheeled bin" symbol on the product reminds you of your obligation, that when you dispose of the appliance it must be separately collected. Consumers should contact their local authority or retailer for information concerning the correct disposal of their old appliance.

## Respecting and conserving the environment

- Install the appliance in a fresh and well-ventilated room. Ensure that it is protected from direct sunlight and do not place it near heat sources.
- Try to avoid keeping the door open for long periods or opening the door too frequently in order to conserve energy.
- Do not fill the appliance with too much food: cold air must circulate freely for food to be preserved properly. If circulation is impeded, the compressor will work continuously.
- Do not place hot food directly into the refrigerator. The internal temperature will increase and force the compressor to work harder and will consume more energy.
- Defrost the appliance if ice forms (*see Maintenance*). A thick layer of ice makes cold transference to food products more difficult and results in increased energy consumption.
- Regularly check the door seals and wipe clean to ensure they are free of debris and to prevent cold air from escaping (*see Maintenance*).

## Malfunctions:

## Possible causes / Solutions:

GB

### Malfunctions:

### Possible causes / Solutions:

**The internal light does not illuminate.**

- The plug has not been inserted into the electrical socket, or not far enough to make contact, or there is no power in the house.

**The refrigerator and the freezer do not cool well.**

- The doors do not close properly or the seals are damaged.
- The doors are opened too frequently.
- The TEMPERATURE ADJUSTMENT knob is not in the correct position
- The refrigerator or the freezer have been over-filled.
- The atmospheric temperature of the area surrounding the appliance is lower than 14°C.

**The food inside the refrigerator is beginning to freeze.**

- The TEMPERATURE ADJUSTMENT knob is not in the correct position.
- The food is in contact with the back inside wall of the refrigerator.

**The PURE WIND PLUS fan does not rotate.**

- The PURE WIND PLUS system is only activated automatically when it becomes necessary to restore perfect operational conditions inside the refrigerator compartment.

**The motor runs continuously.**

- The door is not closed properly or is continuously opened.
- The outside ambient temperature is very high.
- The thickness of the frost exceeds 2-3 mm (*see Maintenance*).

**The appliance makes a lot of noise.**

- The appliance has not been installed on a level surface (*see Installation*).
- The appliance has been installed between cabinets that vibrate and make noise.
- The internal refrigerant makes a slight noise even when the compressor is off. This is not a defect, it is normal.

**Some of the external parts of the refrigerator become hot.**

- These raised temperatures are necessary in order to avoid the formation of condensation on certain parts of the product.

**The back wall of the refrigerator unit is covered in frost or droplets of water.**

- This shows the appliance is operating normally.

**There is water at the bottom of the refrigerator.**

- The water discharge hole is blocked (*see Maintenance*).

GB

### Before calling for Assistance:

- Check if the malfunction can be solved on your own (see *Troubleshooting*).
- If after all the checks, the appliance still does not operate or the problem persists, call the nearest Service Centre

### Communicating:

- type of malfunction
- appliance model (Mod.)
- serial number (S/N)

This information can be found on the data plate located on the bottom left side of the refrigerator compartment.

model				serial number			
Mod.	RG 2330	TI	Cod.	93139180000	S/N	704211801	
V-	240 V-	Hz	150 W	W	Fuse	A	Max 15
Total	340	75			Freez.	Capac	Class
Gross Bruto		Gross Bruto	Net Util Utile	Gross Bruto	Poder de Cong	kg/24 h	Clase
					4,0		N
Compr. Syst.	R 134 a	Test	Pressure HIGH-235				
Kompr.	kg 0,090	P.S-l.	LOW 140				
Made in Italy	13918						

Never call on unauthorized technicians and always refuse spare parts which are not originals.

QUELFRIGO.COM

# Installazione

! È importante conservare questo libretto per poterlo consultare in ogni momento. In caso di vendita, di cessione o di trasloco, assicurarsi che resti insieme all'apparecchio per informare il nuovo proprietario sul funzionamento e sui relativi avvertimenti.  
! Leggere attentamente le istruzioni: ci sono importanti informazioni sull'installazione, sull'uso e sulla sicurezza.

## Posizionamento e collegamento

### Posizionamento

1. Posizionare l'apparecchio in un ambiente ben aerato e non umido.
2. Non ostruire le griglie posteriori di ventilazione: compressore e condensatore emettono calore e richiedono una buona aerazione per funzionare bene e contenere i consumi elettrici.
3. Lasciare una distanza di almeno 10 cm tra la parte superiore dell'apparecchio ed eventuali mobili sovrastanti e di almeno 5 cm tra le fiancate e mobili/pareti laterali.
4. Lasciare l'apparecchio lontano da fonti di calore (la luce solare diretta, una cucina elettrica).
5. Per mantenere una ottimale distanza del prodotto dalla parete posteriore, montare i distanzieri presenti nel kit di installazione seguendo le istruzioni presenti sul foglio dedicato.

### Livellamento

1. Installare l'apparecchio su un pavimento piano e rigido.
2. Se il pavimento non fosse perfettamente orizzontale, compensare svitando o avvitando i piedini anteriori.

### Collegamento elettrico

Dopo il trasporto, posizionare l'apparecchio verticalmente e attendere almeno 3 ore prima di collegarlo all'impianto elettrico. Prima di inserire la spina nella presa della corrente, accertarsi che:

- la presa abbia la messa a terra e sia a norma di legge;
- la presa sia in grado di sopportare il carico massimo di potenza della macchina, indicato nella targhetta caratteristiche posta nel vano frigorifero in basso a sinistra (es 150 W);
- la tensione di alimentazione sia compresa nei valori indicati nella targhetta caratteristiche, posta in basso a sinistra (es 220-240 V);
- la presa sia compatibile con la spina dell'apparecchio. In caso contrario richiedere la sostituzione della spina a un tecnico autorizzato (vedi Assistenza); non usare prolunghe e multiple.

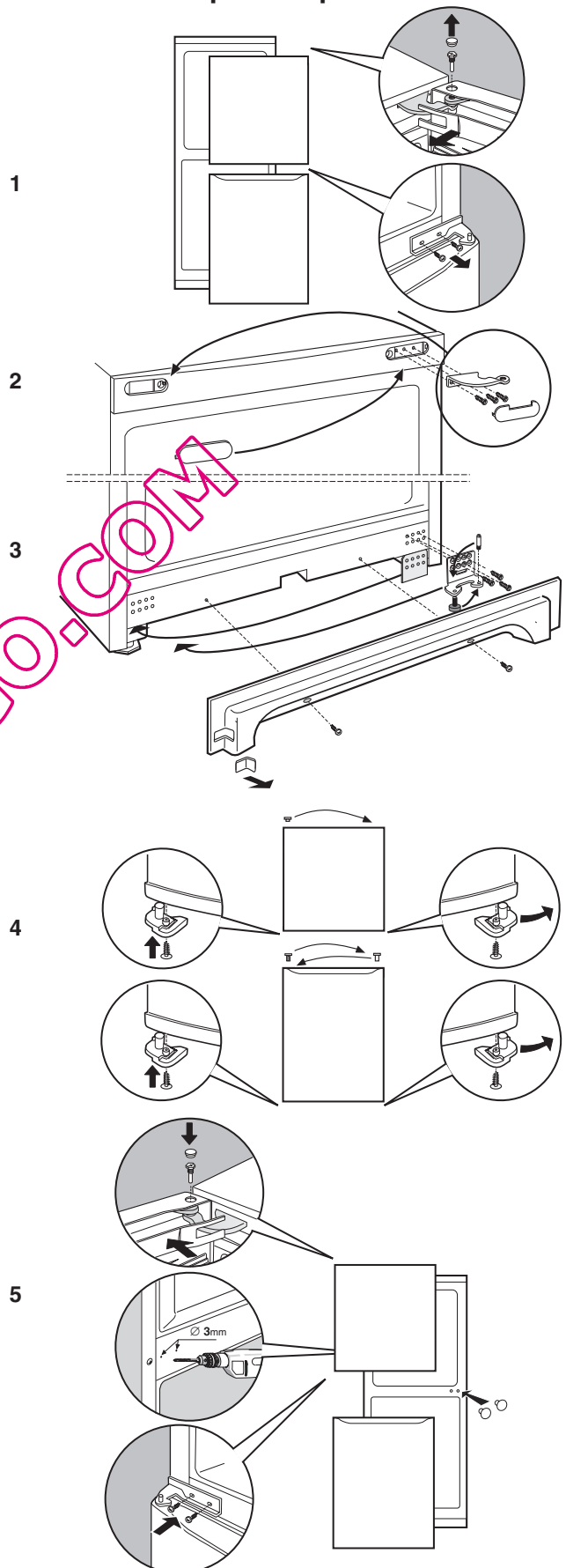
! Ad apparecchio installato, il cavo elettrico e la presa della corrente devono essere facilmente raggiungibili.

! Il cavo non deve subire piegature o compressioni.

! Il cavo deve essere controllato periodicamente e sostituito solo da tecnici autorizzati (vedi Assistenza).

! L'azienda declina ogni responsabilità qualora queste norme non vengano rispettate.

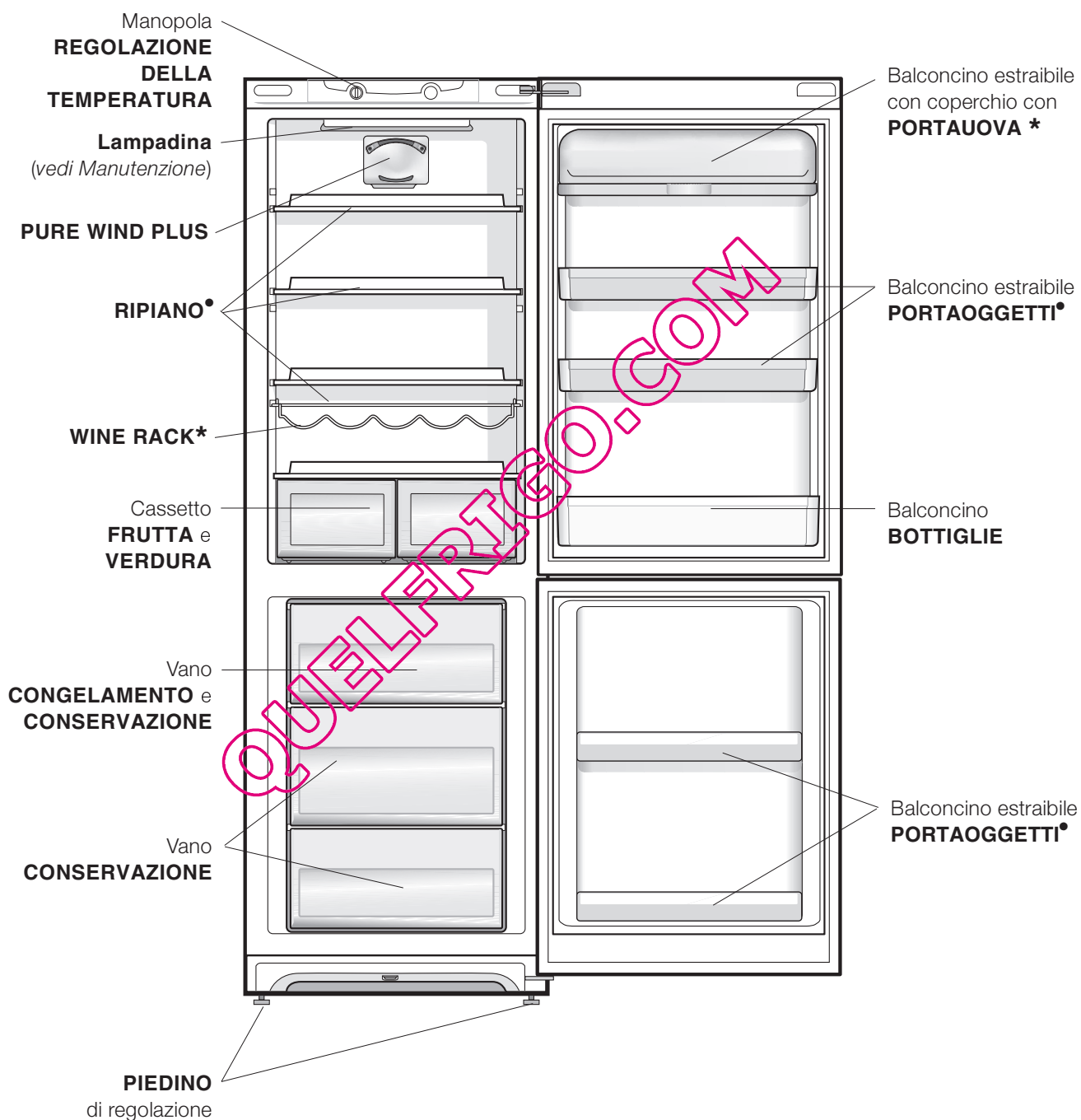
## Reversibilità apertura porte



# Descrizione dell'apparecchio

## Vista d'insieme

Le istruzioni sull'uso valgono per diversi modelli per cui è possibile che la figura presenti particolari differenti rispetto a quelli dell'apparecchio acquistato. La descrizione degli oggetti più complessi si trova nelle pagine seguenti.



• Variabili per numero e/o per posizione.

\* Presente solo in alcuni modelli.

# Avvio e utilizzo

## Avviare l'apparecchio

**! Prima di avviare l'apparecchio, seguire le istruzioni sull'installazione (vedi Installazione).**

**! Prima di collegare l'apparecchio pulire bene i vani e gli accessori con acqua tiepida e bicarbonato.**

1. Inserire la spina nella presa e accertarsi che si accenda la lampada di illuminazione interna.
2. Ruotare la manopola per LA REGOLAZIONE DELLA TEMPERATURA su un valore medio. Dopo qualche ora sarà possibile inserire alimenti nel frigorifero.

## Regolazione della temperatura

La temperatura all'interno del reparto frigorifero si regola automaticamente in base alla posizione della manopola del termostato.

**1** = meno freddo

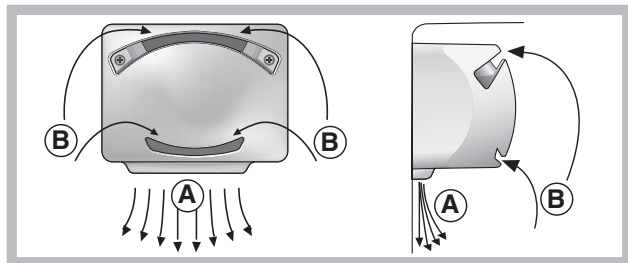
**MAX** = più freddo

Si consiglia, comunque, una posizione media. Per aumentare lo spazio e disposizione e migliorare l'aspetto estetico, questo apparecchio ha la "parte raffreddante" posizionata all'interno della parete posteriore del reparto frigo. Tale parete, durante il funzionamento, si presenterà coperta di brina, oppure di goccioline di acqua a secondo se il compressore è in funzione o in pausa. Non preoccupatevi di questo: il frigorifero sta lavorando in modo normale.

## Sistema di raffreddamento

### PURE WIND PLUS

È riconoscibile dalla presenza del dispositivo sulla parete superiore del vano frigorifero (vedi figura).

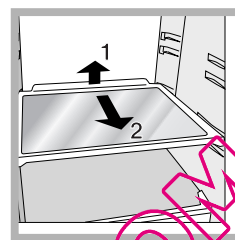


Pure Wind Plus ottimizza al massimo la circolazione dell'aria, migliorando l'efficacia dell'evaporatore e contribuendo a raggiungere più rapidamente la giusta temperatura all'interno del frigo dopo ogni apertura. L'aria soffiata (A) si raffredda a contatto della parete fredda, mentre l'aria più calda (B) viene aspirata (vedi figura).

La parete posteriore si presenta coperta di brina o goccioline d'acqua a seconda che il compressore sia in funzione o in pausa.

Se si imposta la manopola per LA REGOLAZIONE DELLA TEMPERATURA su valori alti, con grossi quantitativi di alimenti e con una temperatura ambiente elevata, l'apparecchio può funzionare di continuo, favorendo un'eccessiva formazione di brina ed eccessivi consumi elettrici: ovviare spostando la manopola verso i valori più bassi (verrà effettuato uno sbrinamento automatico).

**RIPIANI:** pieni o a griglia.



Sono estraibili e regolabili in altezza grazie alle apposite guide (vedi figura), per l'inserimento di contenitori o alimenti di notevole dimensione. Per regolare l'altezza non è necessario estrarre completamente il ripiano.

Indicatore **TEMPERATURA:** per individuare la zona più fredda del frigorifero.

1. Controllare che sull'indicatore risulti ben evidente OK (vedi figura).



2. Se non compare la scritta OK significa che la temperatura è troppo elevata: regolare la manopola FUNZIONAMENTO FRIGORIFERO su una posizione più alta (più freddo) e attendere circa 10 h finché la temperatura si sia stabilizzata.

3. Controllare nuovamente l'indicatore: se necessario, procedere con una nuova regolazione. Se si sono introdotte grosse quantità di alimenti o si è aperta frequentemente la porta del frigorifero, è normale che l'indicatore non segni OK. Attendere almeno 10 h prima di regolare la manopola FUNZIONAMENTO FRIGORIFERO su una posizione più alta.

## Utilizzare al meglio il frigorifero

- Per regolare la temperatura utilizzare la manopola FUNZIONAMENTO FRIGORIFERO (vedi Descrizione).
- Inserire soltanto alimenti freddi o appena tiepidi, non caldi (vedi Precauzioni e consigli).
- Ricordarsi che gli alimenti cotti non si mantengono più a lungo di quelli crudi.
- Non inserire liquidi in recipienti scoperti: provocherebbero un aumento di umidità con conseguente formazione di condensa.

## L'igiene alimentare

1. Dopo l'acquisto degli alimenti, eliminare qualsiasi tipo di confezione esterna in carta/cartone o altri involucri, che potrebbero introdurre nel frigo batteri o sporcizia.
2. Proteggere gli alimenti, (in particolare quelli facilmente deperibili e quelli che emanano un forte aroma), in modo da evitare il contatto tra essi, eliminando in questo modo sia la possibilità di contaminazione di germi/batteri, che la diffusione di particolari odori all'interno del frigo
3. Riporre i cibi in modo in modo che l'aria possa circolare liberamente tra essi
4. Tenere pulito l'interno del frigo, facendo attenzione a non utilizzare prodotti ossidanti o abrasivi
5. Togliere gli alimenti dal frigo una volta superata la durata massima di conservazione
6. Per una buona conservazione, i cibi facilmente deperibili (formaggi molli, pesce crudo, carne, etc...) vanno posizionati nella zona più fredda, cioè quella sopra le verdure, dove si trova l'indicatore della temperatura

## Utilizzare al meglio il congelatore

- Non ricongelare alimenti che stanno per scongelare o scongelati; tali alimenti devono essere cotti per essere consumati (entro 24 ore).
- Gli alimenti freschi da congelare non devono essere posti a contatto con quelli già congelati; vanno sistemati nel vano superiore CONGELAMENTO e CONSERVAZIONE dove la temperatura scende sotto i -18°C e garantisce una buona velocità di congelamento.
- Non mettere nel congelatore bottiglie di vetro contenenti liquidi, tappate o chiuse ermeticamente, perché potrebbero rompersi.
- La quantità massima giornaliera di alimenti da congelare è indicata sulla targhetta caratteristiche, posta nel vano frigorifero in basso a sinistra (esempio: Kg/24h 4).
- Al fine di ottenere un spazio maggiore nel reparto freezer potete togliere i cassetti dalle loro sedi (tranne quello più in basso e l'eventuale cassetto COOL CARE ZONE a temperatura variabile), sistemando gli alimenti direttamente sulle piastre evaporanti.

! Durante il congelamento evitare di aprire la porta.

! In caso di interruzione di corrente o di guasto, non aprire la porta del congelatore: in questo modo congelati e surgelati si conserveranno senza alterazioni per circa 9-14 ore.

! Se per lungo tempo permane la temperatura ambiente più fredda di 14°C, non si raggiungono completamente le temperature necessarie per una lunga conservazione nel reparto freezer e il periodo di conservazione risulterà pertanto ridotto.



# Manutenzione e cura

## Escludere la corrente elettrica

Durante i lavori di pulizia e manutenzione è necessario isolare l'apparecchio dalla rete di alimentazione staccando la spina dalla presa.

Non è sufficiente portare la manopola per la regolazione della temperatura sulla posizione **OFF** (apparecchio spento) per eliminare ogni contatto elettrico.

## Pulire l'apparecchio

- Le parti esterne, le parti interne e le guarnizioni in gomma possono essere pulite con una spugnetta imbevuta di acqua tiepida e bicarbonato di sodio o sapone neutro. Non usare solventi, abrasivi, candeggina o ammoniacca.
- Gli accessori estraibili possono essere messi a bagno in acqua calda e sapone o detersivo per piatti. Sciacquarli e asciugarli con cura.
- Il retro dell'apparecchio tende a coprirsi di polvere, che può essere eliminata utilizzando con delicatezza, dopo aver spento l'apparecchio e staccato la presa di corrente, la bocchetta lunga dell'aspirapolvere, impostato su una potenza media.

## Evitare muffe e cattivi odori

- L'apparecchio è fabbricato con materiali igienici che non trasmettono odori. Per mantenere questa caratteristica è necessario che i cibi vengano sempre protetti e chiusi bene. Ciò eviterà anche la formazione di macchie.
- Nel caso si voglia spegnere l'apparecchio per un lungo periodo, pulire l'interno e lasciare le porte aperte.

## Sbrinare l'apparecchio

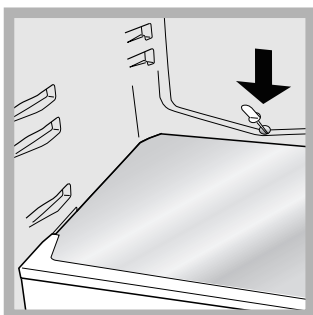
**!** Attenersi alle istruzioni sottostanti.

Per sbrinare l'apparecchio non usare oggetti taglienti ed appuntiti che potrebbero danneggiare irrimediabilmente il circuito refrigerante.

## Sbrinare il vano frigorifero

Il frigorifero è dotato di sbrinamento automatico: l'acqua viene convogliata verso la parte posteriore da un apposito foro di scarico (*vedi figura*) dove il calore

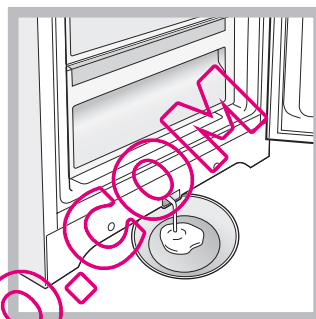
prodotto dal compressore la fa evaporare. L'unico intervento da fare periodicamente consiste nel pulire il foro di scarico affinché l'acqua possa defluire liberamente.



## Sbrinare il vano congelatore

Se lo strato di brina è superiore ai 5 mm è necessario effettuare lo sbrinamento manuale:

1. posizionare la manopola per LA REGOLAZIONE DELLA TEMPERATURA nella posizione OFF.
2. Avvolgere surgelati e congelati in carta da giornale e metterli in un altro congelatore o in un luogo fresco.
3. Lasciare aperta la porta finché la brina non si sia sciolta completamente; facilitare l'operazione sistemando nel vano congelatore contenitori con acqua tiepida.
4. Pulire e asciugare con cura il vano congelatore prima di riaccendere l'apparecchio.



5. Alcuni apparecchi sono dotati del SISTEMA DRAIN per convogliare l'acqua all'esterno: lasciare che l'acqua defluisca in un contenitore (*vedi figura*).

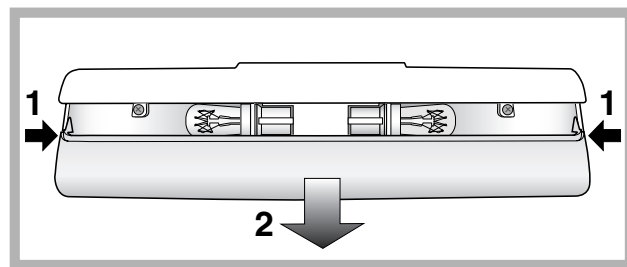
6. Prima di inserire i cibi nel vano congelatore attendere circa 2 ore per il ripristino delle condizioni ideali di conservazione.

## Sostituire la lampadina

Per sostituire la lampadina di illuminazione del vano frigorifero, staccare la spina dalla presa di corrente. Seguire le istruzioni riportate qui sotto.

Accedere alla lampada togliendo la protezione come indicato in figura.

Sostituirla con una analoga di potenza a quella indicata sulla protezione (15 W o 25 W).

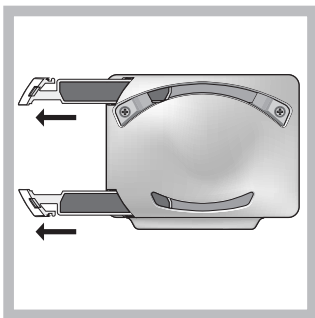




## **PURE WIND PLUS**

### **Manutenzione dei filtri**



Sganciare i filtri sulla parte sx del guscio inserendo nelle fessure la punta di un piccolo cacciavite a taglio (vedi immagini allegate). Lavare periodicamente (ogni 12-18 mesi) i filtri sotto acqua corrente con un detergente neutro per rimuovere gli eventuali residui depositativi. Lasciare asciugare bene prima di rimontare i filtri nella loro sede. Nei casi in cui i filtri non siano estraibili, od in caso di difficoltà nella loro rimozione, contattare l'assistenza tecnica.



**QUELFRIGO.COM**

# Precauzioni e consigli

! L'apparecchio è stato progettato e costruito in conformità alle norme internazionali di sicurezza. Queste avvertenze sono fornite per ragioni di sicurezza e devono essere lette attentamente.

 Questa apparecchiatura è conforme alle seguenti Direttive Comunitarie:  
- 73/23/CEE del 19/02/73 (Bassa Tensione) e successive modificazioni;  
- 89/336/CEE del 03/05/89 (Compatibilità Elettromagnetica) e successive modificazioni.  
 - 2002/96/CE..

## Sicurezza generale

- L'apparecchio è stato concepito per un uso di tipo non professionale all'interno dell'abitazione.
- L'apparecchio deve essere usato per conservare e congelare cibi, solo da persone adulte e secondo le istruzioni riportate in questo libretto.
- L'apparecchio non va installato all'aperto, nemmeno se lo spazio è riparato, perché è molto pericoloso lasciarlo esposto a pioggia e temporali.
- Non toccare l'apparecchio a piedi nudi o con le mani o i piedi bagnati o umidi.
- Non toccare le parti interne raffreddanti: c'è pericolo di ustionarsi o ferirsi.
- Non staccare la spina dalla presa della corrente tirando il cavo, bensì afferrando la spina.
- È necessario staccare la spina dalla presa prima di effettuare operazioni di pulizia e manutenzione. Non è sufficiente portare le manopole per la regolazione della temperatura sulla posizione **OFF** (apparecchio spento) per eliminare ogni contatto elettrico.
- In caso di guasto, in nessun caso accedere ai meccanismi interni per tentare una riparazione.
- Non utilizzare, all'interno degli scomparti conservatori di cibi congelati, utensili diversi dal raschietto fornito in dotazione o apparecchi elettrici se non sono del tipo raccomandato dal costruttore.
- Non mettere in bocca cubetti appena estratti dal congelatore.
- Non permettere ai bambini di giocare con l'apparecchio. In nessun caso devono sedersi sui cassetti o appendersi alla porta.
- Gli imballaggi non sono giocattoli per bambini.

## Smaltimento

- Smaltimento del materiale di imballaggio: attenersi alle norme locali, così gli imballaggi potranno essere riutilizzati.
- La direttiva Europea 2002/96/CE sui rifiuti di apparecchiature elettriche ed elettroniche (RAEE), prevede che gli elettrodomestici non debbano essere smaltiti nel normale flusso dei rifiuti solidi urbani. Gli apparecchi dismessi devono essere raccolti separatamente per ottimizzare il tasso di recupero e riciclaggio dei materiali che li compongono ed impedire potenziali danni per la salute e l'ambiente. Il simbolo del cestino barrato è riportato su tutti i prodotti per ricordare gli obblighi di raccolta separata. Per ulteriori informazioni, sulla corretta dismissione degli elettrodomestici, i detentori potranno rivolgersi al servizio pubblico preposto o ai rivenditori.

## Risparmiare e rispettare l'ambiente

- Installare l'apparecchio in un ambiente fresco e ben aerato, proteggerlo dall'esposizione diretta ai raggi solari, non disporlo vicino a fonti di calore.
- Per introdurre o estrarre gli alimenti, aprire le porte dell'apparecchio il più brevemente possibile. Ogni apertura delle porte causa un notevole dispendio di energia.
- Non riempire con troppi alimenti l'apparecchio: per una buona conservazione, il freddo deve poter circolare liberamente. Se si impedisce la circolazione, il compressore lavorerà continuamente.
- Non introdurre alimenti caldi: alzerebbero la temperatura interna costringendo il compressore a un grosso lavoro, con grande spreco di energia elettrica.
- Sbrinare l'apparecchio qualora si formasse del ghiaccio (*vedi Manutenzione*); uno spesso strato di ghiaccio rende più difficile la cessione di freddo agli alimenti e fa aumentare il consumo di energia.
- Mantenere efficienti e pulite le guarnizioni, in modo che aderiscano bene alle porte e non lascino uscire il freddo (*vedi Manutenzione*).

Può accadere che l'apparecchio non funzioni. Prima di telefonare all'Assistenza (*vedi Assistenza*), controllare che non si tratti di un problema facilmente risolvibile aiutandosi con il seguente elenco.

## Anomalie:

**La lampada di illuminazione interna non si accende.**

**Il frigorifero e il congelatore raffreddano poco.**

**Nel frigorifero gli alimenti si gelano.**

**La ventola PURE WIND PLUS non gira.**

**Il motore funziona di continuo.**

**L'apparecchio emette molto rumore.**

**La temperatura di alcune parti esterne del frigorifero è elevata.**

**La parete in fondo alla cella frigo presenta brina o goccioline di acqua.**

**Sul fondo del frigo c'è dell'acqua.**

## Possibili cause / Soluzione:

- La spina non è inserita nella presa della corrente o non abbastanza da fare contatto, oppure in casa non c'è corrente.
- Le porte non chiudono bene o le guarnizioni sono rovinate.
- Le porte vengono aperte molto spesso.
- La manopola per LA REGOLAZIONE DELLA TEMPERATURA non è in posizione corretta
- Il frigorifero o il congelatore sono stati riempiti eccessivamente.
- La temperatura ambiente di lavoro del prodotto è inferiore a 14°C.
- La manopola per LA REGOLAZIONE DELLA TEMPERATURA non è in posizione corretta.
- Gli alimenti sono a contatto con la parete posteriore.
- Il sistema PURE WIND PLUS si attiva automaticamente solo quando necessario per ripristinare le condizioni ottimali all'interno del vano frigorifero.
- La porta non è ben chiusa o viene aperta di continuo.
- La temperatura dell'ambiente esterno è molto alta.
- Lo spessore della brina supera i 2-3 mm (*vedi Manutenzione*).
- L'apparecchio non è stato installato ben in piano (*vedi Installazione*).
- L'apparecchio è stato installato tra mobili o oggetti che vibrano ed emettono rumori.
- Il gas refrigerante interno produce un leggero rumore anche quando il compressore è fermo: non è un difetto, è normale.
- Le temperature elevate sono necessarie per evitare la formazioni di condensa in particolari zone del prodotto
- Si tratta del normale funzionamento del prodotto.
- Il foro di scarico dell'acqua è otturato (*vedi Manutenzione*).


**Prima di contattare l'Assistenza:**

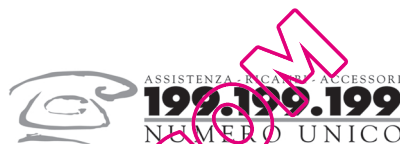
- Verificare se l'anomalia può essere risolta autonomamente (*vedi Anomalie e Rimedi*).
- In caso negativo, contattare il Numero Unico Nazionale 199.199.199.

**Comunicare:**

- il tipo di anomalia
- il modello della macchina (Mod.)
- il numero di serie (S/N)

Queste informazioni si trovano sulla targhetta caratteristiche posta nel vano frigorifero in basso a sinistra.

modello				numero di serie			
Mod. <b>RG 2330</b>	TI	Cod. <b>93139180000</b>	S/N <b>704211801</b>				
240 V	Hz	150 W	Fuse	A	Max 15		
Total	340	75					
Gross Bruto Brut		Gross Bruto Brut	Net Util Utile	Gross Bruto Brut	Poder de Cong kg/24 h	Capac	Classe
					4,0		<b>N</b>
Compr. Syst.	R 134 a	Test	Pressure HIGH-235				
Kompr.	kg 0,090	P.S.-I.	LOW 140				
Made in Italy 13918							

**Assistenza Attiva 7 giorni su 7**

Se nasce il bisogno di assistenza o manutenzione basta chiamare il Numero Unico Nazionale 199.199.199\* . Un operatore sarà a tua completa disposizione per fissare un appuntamento con un tecnico del Centro Assistenza Autorizzato più vicino a casa tua. È attivo 7 giorni su 7, sabato e domenica compresi, e non lascia mai inascoltata una richiesta.

\*Al costo di 14,25 centesimi di Euro al minuto(iva inclusa) dal Lun. al Ven. dalle 08:00 alle 18:30, il Sab. dalle 08:00 alle 13:00 e di 5,58 centesimi di Euro al minuto (iva inclusa) dal Lun. al Ven. dalle 18:30 alle 08:00, il Sab. dalle 13:00 alle 08:00 e i giorni festivi, per chi chiama da telefono fisso.

Per chi chiama da radiomobile le tariffe sono legate al piano tariffario dell'operatore telefonico utilizzato.

# Mode d'emploi

## COMBINE REFRIGERATEUR/CONGELATEUR

F



Italiano, 1



English, 11



**Français, 21**



Espanol, 31



Portuges, 41



Polski, 51

**BMBM 1821 V (FR)/HA**

### Sommaire

#### Installation, 22

Mise en place et raccordement  
Réversibilité des portes

#### Description de l'appareil, 23

Vue d'ensemble

#### Mise en marche et utilisation, 24-25

Mise en service de l'appareil  
Réglage de la température  
Système de refroidissement  
Pour profiter à plein de votre réfrigérateur  
Pour profiter à plein de votre congélateur

#### Entretien et soins, 26-27

Mise hors tension  
Nettoyage de l'appareil  
Contre la formation de moisissures et de mauvaises odeurs  
Dégivrage de l'appareil  
Remplacement de l'ampoule d'éclairage  
PURE WIND PLUS Entretien des filtres

#### Précautions et conseils, 28

Sécurité générale  
Mise au rebut  
Economies et respect de l'environnement

#### Anomalies et remèdes, 29

#### Assistance, 30

QUELFRIGO.COM

 **Hotpoint**  

---

**ARISTON**



# Installation

F

! Conservez ce mode d'emploi pour pouvoir le consulter à tout moment. En cas de vente, de cession ou de déménagement, veillez à ce qu'il suive l'appareil pour informer le nouveau propriétaire sur son fonctionnement et lui fournir les conseils correspondants.

! Lisez attentivement les instructions : elles contiennent des conseils importants sur l'installation, l'utilisation et la sécurité de votre appareil.

## Mise en place et raccordement

### Mise en place

1. Placez l'appareil dans une pièce bien aérée et non humide.
2. Ne bouchez pas les grilles d'aération arrière : le compresseur et le condensateur produisent de la chaleur et exigent une bonne aération pour bien fonctionner et réduire la consommation d'électricité.
3. Prévoir au moins 10 cm entre le haut de l'appareil et les meubles installés au-dessus et au moins 5 cm entre les côtés et les meubles/parois latérales.
4. Installez l'appareil loin de sources de chaleur (rayons directs du soleil, cuisinière électrique).
5. Pour maintenir une distance optimale entre le produit et la paroi arrière, montez les cales d'espacement comprises dans le kit d'installation et suivez les instructions de la notice spécialement prévue.

### Mise à niveau

1. Installez l'appareil sur un sol plat et rigide.
2. Si le sol n'est pas parfaitement horizontal, vissez ou dévissez les petits pieds avant pour bien niveler l'appareil.

### Raccordement électrique

Après le transport, placez l'appareil à la verticale et attendez au moins 3 heures avant de le raccorder à l'installation électrique. Avant de brancher la fiche dans la prise de courant, assurez-vous que :

- la prise est bien munie d'une terre conforme à la loi;
  - la prise est bien apte à supporter la puissance maximale de l'appareil, indiquée sur la plaquette signalétique placée à l'intérieur du compartiment réfrigérateur en bas à gauche (ex. 150 W);
  - la tension d'alimentation est bien comprise entre les valeurs indiquées sur la plaquette signalétique, placée en bas à gauche (ex. 220-240 V);
  - la prise est bien compatible avec la fiche de l'appareil.
- En cas d'incompatibilité, faites remplacer la fiche par un technicien agréé (voir Assistance); n'utilisez ni rallonges ni prises multiples.

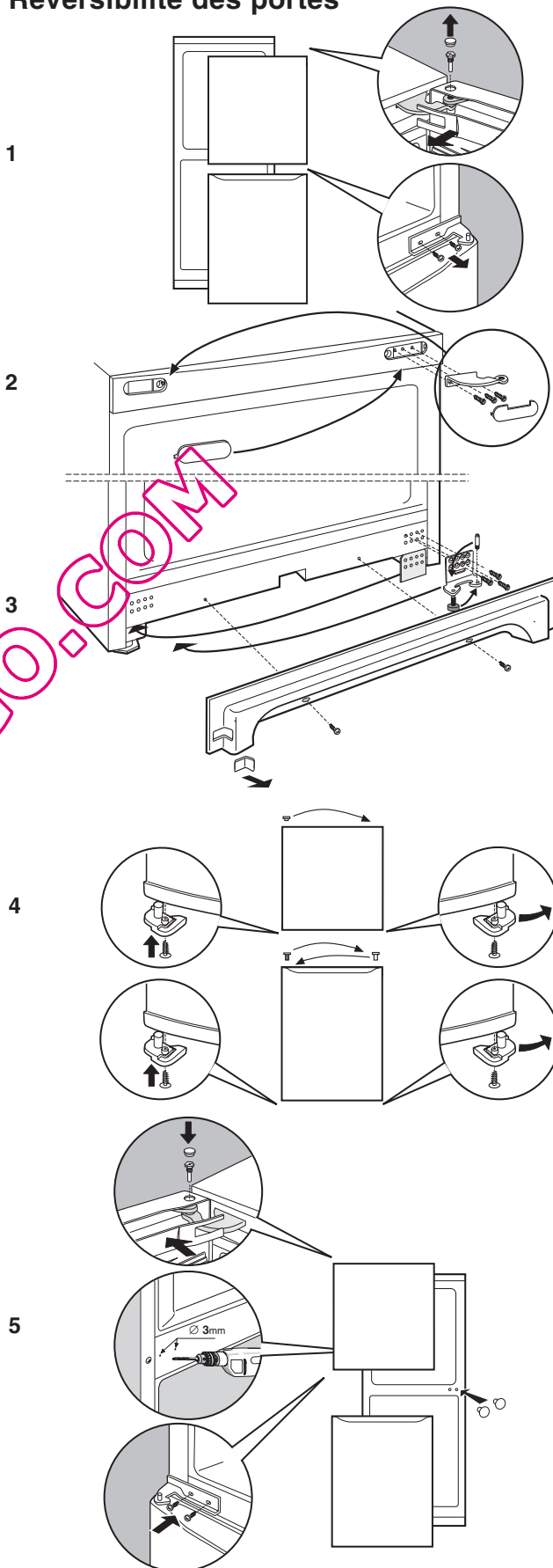
! Après installation de l'appareil, le câble électrique et la prise de courant doivent être facilement accessibles.

! Le câble ne doit être ni plié ni excessivement écrasé.

! Il doit être contrôlé périodiquement et ne peut être remplacé que par un technicien agréé (voir Assistance).

**! Nous déclinons toute responsabilité en cas de non respect des normes énumérées ci-dessus.**

## Réversibilité des portes

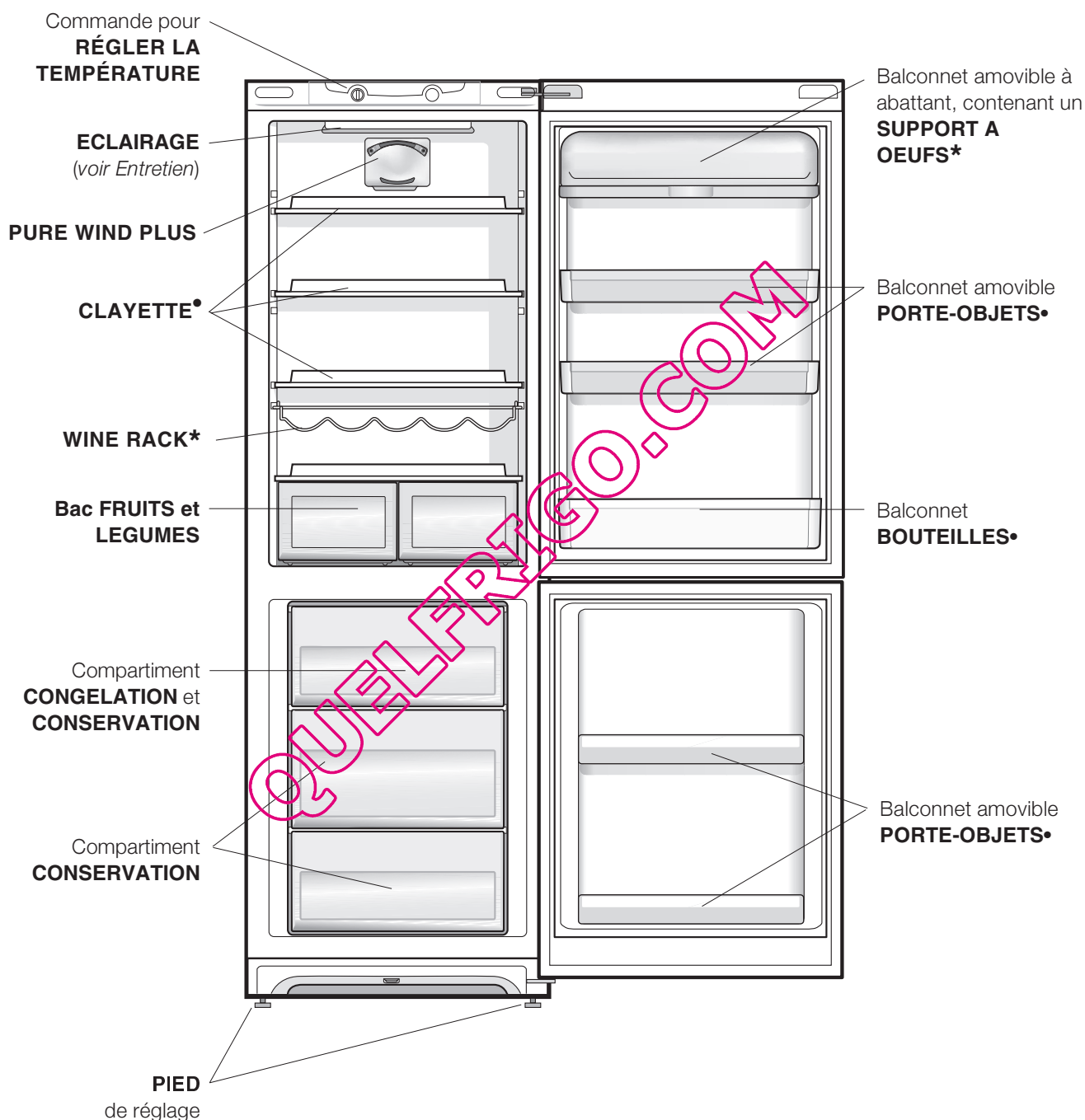


# Description de l'appareil

## Vue d'ensemble

F

Ces instructions d'utilisation s'appliquent à plusieurs modèles, il se peut donc que les composants illustrés présentent des différences par rapport à ceux de l'appareil que vous avez acheté. Vous trouverez dans les pages suivantes la description des objets plus complexes.



• Leur nombre et/ou leur emplacement peut varier.

\* N'existe que sur certains modèles.

# Mise en marche et utilisation

F

## Mise en service de l'appareil

! Avant de mettre l'appareil en service, suivez bien les instructions sur l'installation (voir *Installation*).

! Avant de brancher votre appareil, nettoyez bien les compartiments et les accessoires à l'eau tiède additionnée de bicarbonate.

1. Branchez la fiche dans la prise de courant et assurez-vous que l'éclairage intérieur s'allume.
2. Amenez le bouton de REGLAGE DE LA TEMPERATURE sur une valeur intermédiaire. Au bout de quelques heures, vous pourrez commencer à stocker des aliments dans le réfrigérateur.

## Réglage de la température

Le réglage de la température à l'intérieur du compartiment réfrigérateur est automatique en fonction de la position du bouton du thermostat.

**1** = moins froid

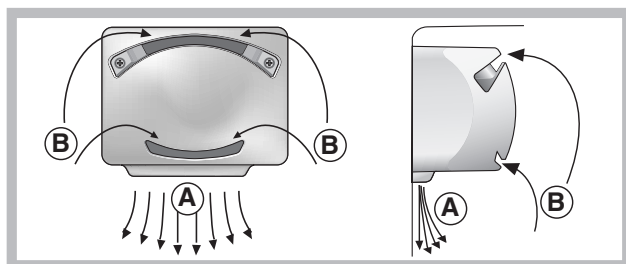
**MAX** = plus froid

Nous conseillons toutefois une position intermédiaire. Pour augmenter la place disponible, simplifier le rangement et améliorer l'aspect esthétique, cet appareil loge sa "partie refroidissante" à l'intérieur de la paroi arrière du compartiment réfrigérateur. Pendant le fonctionnement de l'appareil, cette paroi est tour à tour couverte de givre ou de gouttelettes d'eau selon que le compresseur est en marche ou à l'arrêt. Ne vous inquiétez pas ! Votre réfrigérateur fonctionne normalement.

## Système de refroidissement

### PURE WIND PLUS

On le reconnaît à la présence d'un dispositif appliqué à la paroi dans le haut du compartiment réfrigérateur (voir *figure*).

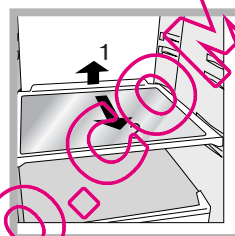


Pure Wind Plus qui optimise au maximum la circulation de l'air, améliore l'efficacité de l'évaporateur et contribue

à rétablir très rapidement la température à l'intérieur du réfrigérateur après chaque ouverture. L'air soufflé (A) refroidit au contact de la paroi froide, tandis que l'air plus chaud (B) est aspiré (voir *figure*).

La paroi arrière est tour à tour couverte de givre ou de gouttelettes d'eau selon que le compresseur est en marche ou à l'arrêt.

Si vous amenez le bouton de REGLAGE DE LA TEMPERATURE sur des valeurs plus élevées, que vous stockez de grandes quantités d'aliments et que la température ambiante est élevée, votre appareil peut fonctionner de façon continue, ce qui entraîne une formation abondante de givre et une consommation d'électricité excessive : amenez alors le bouton sur des valeurs plus basses (un dégivrage automatique sera lancé).



**CLAYETTES:** pleines ou grillagées. Elles sont amovibles et réglables en hauteur grâce à des glissières spéciales (voir *figure*), pour le rangement de récipients ou d'aliments de grande dimension. Pour régler la hauteur, pas besoin de sortir la clayette complètement.

Indicateur de **TEMPERATURE:** pour repérer la zone la plus froide à l'intérieur du réfrigérateur.

1. Contrôler que l'indicateur affiche bien OK (voir *figure*).



2. Si le message OK n'est pas affiché, c'est que la température est trop élevée : régler le bouton FONCTIONNEMENT REFRIGERATEUR sur un numéro plus élevé (plus froid) et attendre environ 10 h jusqu'à ce que la température se stabilise.
3. Contrôler l'indicateur une nouvelle fois : si nécessaire, procéder à un nouveau réglage. Si de grosse quantités d'aliments ont été stockées ou si la porte du réfrigérateur est ouverte très souvent, il est normal que l'indicateur n'indique pas OK. Attendre au moins 10 h avant de régler le bouton FONCTIONNEMENT REFRIGERATEUR sur un chiffre plus élevé.



## Pour profiter à plein de votre réfrigérateur

- Pour régler la température, utilisez le bouton de REGLAGE DE LA TEMPERATURE (voir Description).
- N'introduisez que des aliments froids ou à peine tièdes, jamais chauds (voir Précautions et conseils).
- Les aliments cuits contrairement à ce que l'on croit ne se conservent pas plus longtemps que les aliments crus.
- N'introduisez pas de récipients non fermés contenant des liquides : ces derniers entraîneraient une augmentation de l'humidité et la formation d'eau condensée.

### L'hygiène alimentaire

1. Après achat, les aliments doivent être débarrassés de leur emballage extérieur en papier/carton ou autre qui pourrait véhiculer des bactéries ou des saletés à l'intérieur du réfrigérateur.
2. Protégez les aliments (notamment ceux qui se détériorent rapidement et ceux qui dégagent une forte odeur) pour éviter tout contact entre eux et éliminer ainsi toute possibilité de contamination de germes/bactéries et la diffusion d'odeurs particulières à l'intérieur du réfrigérateur.
3. Rangez les aliments de manière à ce que l'air puisse circuler librement entre eux.
4. Veillez à ce que l'intérieur du réfrigérateur soit toujours propre. Attention : ne pas utiliser de produits oxydants ou abrasifs pour son nettoyage.
5. Sortez les aliments du réfrigérateur dès qu'ils dépassent leur durée limite de conservation.
6. Pour une bonne conservation, les aliments facilement périssables (fromages à pâte molle, poisson cru, viande, etc.) doivent être placés dans la zone plus froide où est situé l'indicateur de température.

## Pour profiter à plein de votre congélateur

- Ne recongelez pas des aliments décongelés ou en cours de décongélation; il faut les faire cuire et les consommer (dans les 24 heures).
  - Les aliments frais à congeler ne doivent pas être placés au contact d'aliments déjà congelés; il faut les stocker dans le compartiment supérieur CONGELATION et CONSERVATION où la température qui descend au-dessous de -18°C garantit une vitesse de congélation adéquate.
  - Ne stockez pas dans votre congélateur des bouteilles en verre contenant des liquides, bouchées ou fermées hermétiquement, elles pourraient se briser.
  - La quantité journalière maximale d'aliments pouvant être congelée est indiquée sur l'étiquette des caractéristiques, placez dans le compartiment réfrigérateur en bas à gauche (exemple : 4 Kg/24h).
  - Pour gagner de la place à l'intérieur du compartiment congélation, vous pouvez enlever les tiroirs (sauf le tiroir du bas et celui de la COOL CARE ZONE à température variable si votre appareil en est équipé) et stocker vos aliments directement sur les plaques évaporantes.
- ! Evitez d'ouvrir la porte pendant la phase de congélation.
- ! En cas de coupure de courant ou de panne, n'ouvrez pas la porte du congélateur : les produits surgelés et congelés se conserveront ainsi sans problème pendant 9 - 14 heures environ.
- ! Si la température ambiante se maintient longtemps au-dessous de 14°C, le compartiment freezer n'arrive pas à atteindre les températures indispensables à une longue conservation et la période de conservation sera par conséquent réduite.

# Entretien et soin

F

## Mise hors tension

Pendant les opérations de nettoyage et d'entretien, mettez l'appareil hors tension en débranchant la fiche de l'appareil de la prise de courant. Il ne suffit pas de placer le bouton de réglage de la température sur **OFF** (appareil éteint) pour éliminer tout contact électrique.

## Nettoyage de l'appareil

- Nettoyez l'extérieur, l'intérieur et les joints en caoutchouc à l'aide d'une éponge imbibée d'eau tiède additionnée de bicarbonate de soude ou de savon neutre. N'utilisez pas de solvants, de produits abrasifs, d'eau de Javel ou d'ammoniaque.
- mettez tremper les accessoires amovibles dans de l'eau chaude additionnée de savon ou de liquide vaisselle. Rincez-les et essuyez-les soigneusement.
- Le dos de l'appareil a tendance à s'empoussiérer, pour éliminer la poussière avec délicatesse, après avoir éteint l'appareil et débranché la fiche, servez-vous d'un aspirateur montant un accessoire adéquat et réglé sur une puissance intermédiaire.

## Contre la formation de moisissures et de mauvaises odeurs

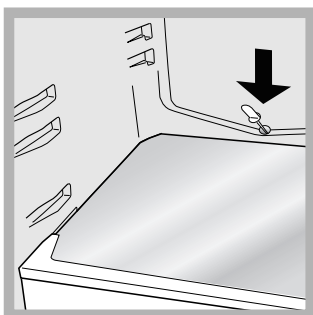
- Cet appareil est fabriqué dans des matériaux hygiéniques qui ne transmettent pas d'odeur. Pour sauvegarder cette caractéristique, veillez à bien emballer et couvrir vos aliments. Vous éviterez par la même occasion la formation de taches.
- Si vous devez laisser votre appareil éteint pendant une période de temps prolongée, nettoyez-le bien l'intérieur et laissez les portes ouvertes.

## Dégivrage de l'appareil

! Conformez-vous aux instructions suivantes. Ne pas utiliser d'objets pointus et coupants pour dégivrer l'appareil, ils risqueraient d'endommager irréparablement le circuit réfrigérant.

## Dégivrage du compartiment réfrigérateur

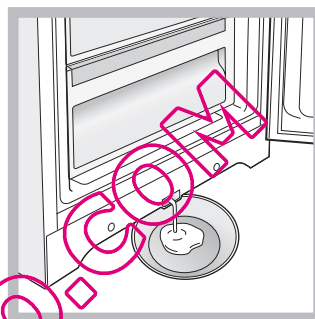
Le réfrigérateur est muni d'un système de dégivrage automatique : l'eau est acheminée vers la paroi arrière par un trou d'évacuation (voir figure) où la chaleur produite par le compresseur fait évaporer. Il vous suffit de nettoyer périodiquement le trou d'évacuation pour permettre à l'eau de s'écouler normalement.



## Dégivrage du compartiment congélateur

Si la couche de givre dépasse 5 mm, procédez à un dégivrage manuel :

- Amenez le bouton de REGLAGE DE LA TEMPERATURE sur **OFF**.
- Enveloppez vos produits surgelés ou congelés dans du papier et placez-les dans un endroit frais.
- Laissez la porte ouverte jusqu'à ce que le givre fonde complètement; pour accélérer cette opération placez dans le compartiment congélateur des récipients d'eau tiède.



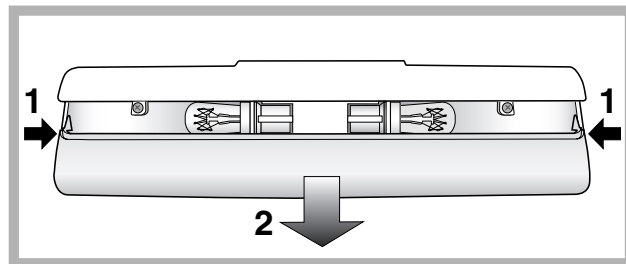
4. Certains de nos appareils sont équipés du SYSTEME DRAIN pour acheminer l'eau vers l'extérieur: laissez l'eau s'écouler dans un récipient (voir figure). Nettoyez et séchez soigneusement le compartiment congélateur avant de

rallumer l'appareil.

- Avant de ranger vos aliments dans le compartiment congélateur, attendez environ 2 heures pour le rétablissement des conditions idéales de conservation des aliments.

## Remplacement de l'ampoule d'éclairage

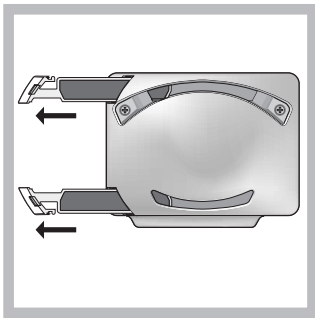
Pour remplacer l'ampoule d'éclairage du compartiment réfrigérateur, débranchez la fiche de la prise de courant. Suivez les indications fournies ci-dessous. Pour pouvoir remplacer l'ampoule, démontez le couvercle de protection comme illustré (voir figure). Remplacez-la par une ampoule semblable dont la puissance doit correspondre à celle indiquée sur le couvercle de protection (15 W ou 25 W).



## PURE WIND PLUS

### Entretien des filtres

Introduire la pointe d'un petit tournevis à tête plate dans les fentes de la partie gauche de l'enveloppe des filtres (voir illustrations) pour les décrocher. Laver à intervalles réguliers (tous les 12-18 mois) les filtres à l'eau courante avec un détergent neutre pour éliminer tout dépôt résiduel. Laisser sécher soigneusement avant de remettre les filtres en place. Si les filtres ne sont pas extractibles, ou s'il est particulièrement difficile de les démonter, contacter le service d'assistance technique.



QUELFRIGO.COM

# Précautions et conseils

F

! L'appareil a été conçu et fabriqué conformément aux normes internationales de sécurité. Ces conseils sont fournis pour des raisons de sécurité et doivent être lus attentivement.



Cet appareil est conforme aux Directives Communautaires suivantes :  
- 73/23/CEE du 19/02/73 (Basse Tension) et modifications suivantes;  
- 89/336/CEE du 03/05/89 (Compatibilité Electromagnétique) et modifications suivantes;  
- 2002/96/CE..



## Sécurité générale

- Cet appareil a été conçu pour un usage familial, de type non professionnel.
- Cet appareil qui sert à conserver et à congeler des aliments ne doit être utilisé que par des adultes conformément aux instructions du mode d'emploi.
- Cet appareil ne doit pas être installé en extérieur, même dans un endroit à l'abri, il est en effet très dangereux de le laisser exposé à la pluie et aux orages.
- Ne touchez pas à l'appareil pieds nus ou si vos mains ou pieds sont mouillés ou humides.
- Ne touchez pas aux parties refroidissantes: vous pourriez vous brûler ou vous blesser.
- Pour débrancher la fiche de la prise de courant, sortez la fiche, ne tirez surtout pas sur le câble.
- Avant d'effectuer toute opération de nettoyage ou d'entretien, débranchez la fiche de la prise de courant. Il ne suffit pas de placer le bouton de REGLAGE DE LA TEMPERATURE sur **OFF** (appareil éteint) pour éliminer tout contact électrique.
- En cas de panne, n'essayez en aucun cas d'accéder aux mécanismes internes pour tenter de réparer l'appareil.
- Ne pas utiliser, à l'intérieur des compartiments de conservation pour aliments congelés, d'ustensiles pointus et coupants ou d'appareils électriques d'un type autre que celui recommandé par le fabricant.
- Ne pas porter à la bouche des glaçons à peine sortis du congélateur.
- Ne permettez pas aux enfants de jouer avec l'appareil. Il ne faut en aucun cas qu'ils s'asseyent sur les tiroirs ou qu'ils s'accrochent à la porte.
- Les emballages ne sont pas des jouets pour enfants.

## Mise au rebut

- Mise au rebut du matériel d'emballage : conformez-vous aux réglementations locales, les emballages pourront ainsi être recyclés.
- La Directive Européenne 2002/96/EC sur les Déchets des Equipements Electriques et Electroniques (DEEE), exige que les appareils ménagers usagés ne soient pas jetés dans le flux normal des déchets municipaux. Les appareils usagés doivent être collectés séparément afin d'optimiser le taux de récupération et le recyclage des matériaux qui les composent et réduire l'impact sur la santé humaine et l'environnement. Le symbole de la "poubelle barrée" est apposée sur tous les produits pour rappeler les obligations de collecte séparée.

**Les consommateurs devront contacter les autorités locales ou leur revendeur concernant la démarche à suivre pour l'enlèvement de leur vieil appareil.**

## Economies et respect de l'environnement

- Installez votre appareil dans un endroit frais et bien aéré, protégez-le contre l'exposition directe aux rayons du soleil et ne le placez pas près de sources de chaleur.
- Pour introduire ou sortir les aliments, n'ouvrez les portes de l'appareil que le temps strictement nécessaire.  
Chaque ouverture de porte cause une considérable dépense d'énergie.
- Ne chargez pas trop votre appareil :  
pour une bonne conservation des aliments, le froid doit pouvoir circuler librement. Si la circulation est entravée, le compresseur travaillera en permanence.
- N'introduisez pas d'aliments chauds : ces derniers font monter la température intérieure ce qui oblige le compresseur à travailler beaucoup plus en gaspillant un tas d'électricité.
- Dégivrez l'appareil dès que de la glace se dépose (voir Entretien); une couche de glace trop épaisse gêne considérablement la cession de froid aux aliments et augmente la consommation d'électricité.
- Gardez toujours les joints propres et en bon état pour qu'ils adhèrent bien aux portes et ne laissent pas le froid s'échapper (voir Entretien).

Il peut arriver que l'appareil ne fonctionne pas. Avant de téléphoner au service de dépannage (*voir Assistance*), contrôlez s'il ne s'agit pas d'un problème facile à résoudre à l'aide de la liste suivante.

F

## Anomalies:

**L'éclairage intérieur ne s'allume pas.**

**Le réfrigérateur et le congélateur refroidissent peu.**

**Les aliments gèlent à l'intérieur du réfrigérateur.**

**Le ventilateur PURE WIND PLUS ne tourne pas.**

**Le moteur est branché en permanence.**

**L'appareil est très bruyant.**

**La température est élevée à certains endroits de l'extérieur du réfrigérateur.**

**Formation de givre ou de gouttelettes d'eau sur la paroi arrière du compartiment réfrigérateur .**

**Il y a de l'eau dans le fond du réfrigérateur.**

## Causes / Solution possibles:

- La fiche n'est pas branchée dans la prise de courant ou pas assez enfoncée pour qu'il y ait contact ou bien il y a une coupure de courant.
- Les portes ne ferment pas bien ou les joints sont abîmés.
- Ouverture trop fréquente des portes.
- La position du bouton de REGLAGE DE LA TEMPERATURE n'est pas correcte
- Le réfrigérateur et le congélateur sont excessivement remplis.
- La température ambiante de travail du produit est inférieure à 14°C.
- La position du bouton de REGLAGE DE LA TEMPERATURE n'est pas correcte
- Les aliments touchent à la paroi arrière.
- Le système PURE WIND PLUS ne se met en marche automatiquement que quand il est nécessaire afin de rétablir les conditions optimales dans le compartiment réfrigérateur.
- La porte n'est pas bien fermée ou trop souvent ouverte.
- La température à l'extérieur est très élevée.
- L'épaisseur du givre dépasse 2-3 mm (voir Entretien).
- L'appareil n'a pas été installé bien à plat (voir Installation).
- L'appareil est installé entre des meubles ou des objets qui vibrent et font du bruit.
- Le gaz réfrigérant interne produit un léger bruit même quand le compresseur est à l'arrêt : il ne s'agit pas d'un défaut, c'est tout à fait normal.
- Les températures élevées sont nécessaires pour éviter la formation d'eau condensée dans des zones particulières du produit
- Il s'agit du fonctionnement normal du produit.
- Le trou d'évacuation de l'eau est bouché (voir Entretien).

F


### Avant de contacter le centre d'Assistance :

- Vérifiez si vous pouvez résoudre l'anomalie vous-même (*voir Anomalies et Remèdes*).
- Si, malgré tous ces contrôles, l'appareil ne fonctionne toujours pas et l'inconvénient persiste, faites appel au service après-vente le plus proche de chez vous.

### Signalez :

- le type d'anomalie
- le modèle de l'appareil (Mod.)
- le numéro de série (S/N)

Vous trouverez tous ces renseignements sur l'étiquette signalétique placée dans le compartiment réfrigérateur en bas à gauche.

modèle				numéro de série			
Mod.	RG 2330	TI	Cod.	93139180000	S/N	704211801	
240 V-	Hz	150 W	W	Fuse	A	Max 15	
Total	340	75			Freez. Capac	Class	
Gross Bruto Brut		Gross Bruto Brut	Net Util Utile	Gross Bruto Brut	Poder de Cong	Classe	<b>N</b>
					kg/24 h	4,0	Classe
Compr. Syst.	R 134 a	Test	Pressure HIGH-235				
Kompr.	kg 0,090	P.S-I.	LOW 140				
Made in Italy 13918							

**Ne faites jamais appel à des techniciens non agréés et refusez toujours des pièces détachées non originales.**

QUELFRIGO.COM

# Manual de instrucciones

## COMBINADO FRIGORÍFICO/CONGELADOR

**I**

Italiano, 1

**GB**

English, 11

**F**

Français, 21

**E****Español, 31****P**

Portugues, 41

**PL**

Polski, 51

**BMBM 1821 V (FR)/HA**

### Sumario

#### Instalación, 32

Colocación y conexión

Reversibilidad de la apertura de las puertas

#### Descripción del aparato, 33

Vista en conjunto

#### Puesta en funcionamiento y uso, 34-35

Poner en marcha el aparato

Regulación de la temperatura

Sistema de enfriamiento

Utilizar el refrigerador en forma óptima

Utilizar el congelador en forma óptima

#### Mantenimiento y cuidados, 36-37

Cortar la corriente eléctrica

Limpiar el aparato

Evitar la formación de moho y malos olores

Descongelar el aparato

Sustituir la bombilla

PURE WIND PLUS Mantenimiento de los filtros

#### Precauciones y consejos, 38

Seguridad general

Eliminación

Ahorrar y respetar el ambiente

#### Anomalías y soluciones, 39

#### Asistencia, 40

**E**

 **Hotpoint**  

---

**ARISTON**





# Instalación

E

! Es importante conservar este manual para poder consultarlo cuando sea necesario. En caso de venta, cesión o traslado, verifique que permanezca junto al aparato para informar al nuevo propietario sobre su funcionamiento y sobre las precauciones durante su uso  
! Lea atentamente las instrucciones: contienen información importante sobre la instalación, sobre el uso y sobre la seguridad.

## Colocación y conexión

### Colocación

1. Coloque el aparato en un ambiente bien aireado y seco.
2. No obstruya las rejillas posteriores de ventilación: el compresor y el condensador emiten calor y requieren una buena aireación para funcionar bien y limitar el consumo eléctrico.
3. Deje una distancia mínima de 10 cm. entre la parte superior del aparato y los muebles situados encima y de 5 cm., como mínimo, entre los costados y los muebles o paredes laterales.
4. Mantenga el aparato lejos de fuentes de calor (por ej. la luz solar directa o una cocina eléctrica).
5. Para mantener una distancia óptima entre el producto y la pared posterior, coloque los distanciadores que se encuentran en la caja de instalación siguiendo las instrucciones presentes en la hoja correspondiente.

### Nivelación

1. Instale el aparato sobre un piso plano y rígido.
2. Si el piso no fuera perfectamente horizontal, compense los desniveles atornillando o desatornillando las patas delanteras.

### Conexión eléctrica

Después de su transporte, coloque el aparato verticalmente y espere 3 horas como mínimo antes de conectarlo a la red eléctrica. Antes de enchufarlo a la toma de corriente, controle que:

- la toma posea la conexión a tierra y que sea conforme a la ley;
- el enchufe sea capaz de soportar la carga máxima de potencia de la máquina indicada en la placa de características ubicada en la parte inferior izquierda del frigorífico (ej. 150 W);
- la tensión de alimentación esté comprendida entre los valores indicados en la placa de características ubicada abajo a la izquierda (ej. 220-240V);
- la toma sea compatible con el enchufe del aparato.  
Si no fuera así, solicite la sustitución del enchufe a un técnico autorizado (ver Asistencia); no utilice prolongaciones ni conexiones múltiples.

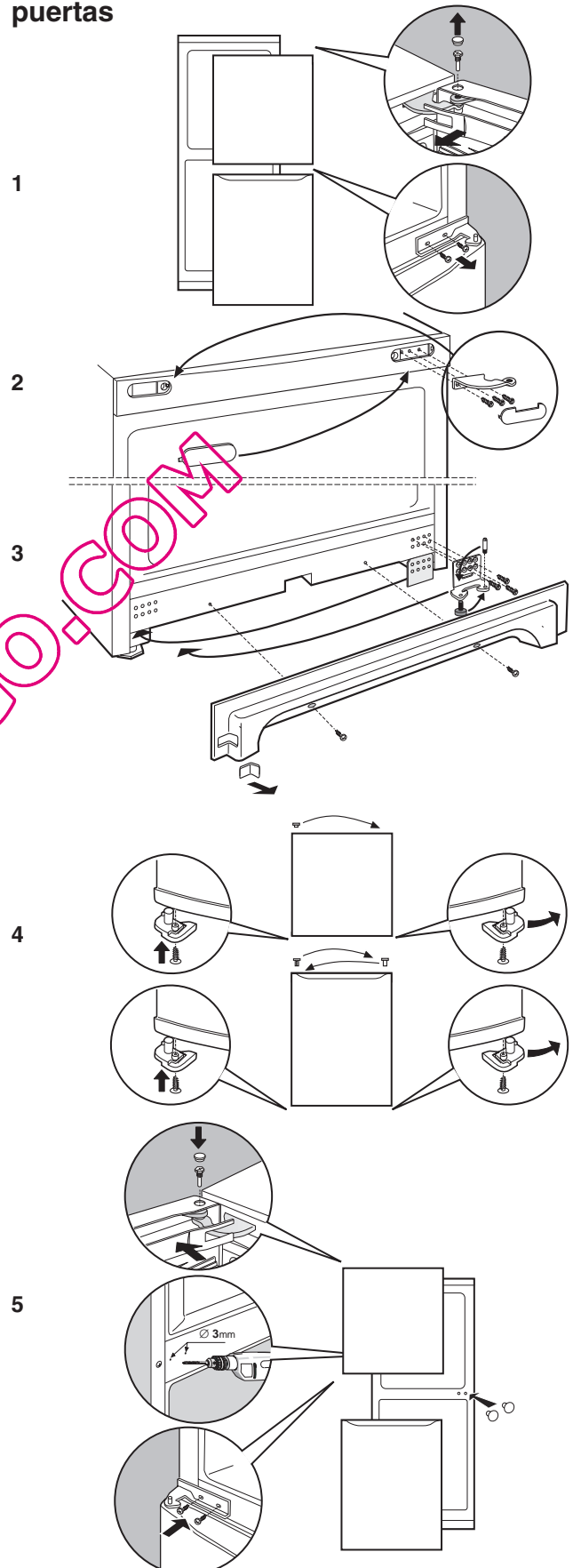
! Una vez instalado el aparato, el cable eléctrico y la toma de corriente deben ser fácilmente accesibles.

! El cable no debe sufrir pliegues ni compresiones.

! El cable debe ser revisado periódicamente y sustituido sólo por técnicos autorizados (ver Asistencia).

! La empresa declina toda responsabilidad en los casos en que no hayan sido respetadas estas normas.

## Reversibilidad de la apertura de las puertas



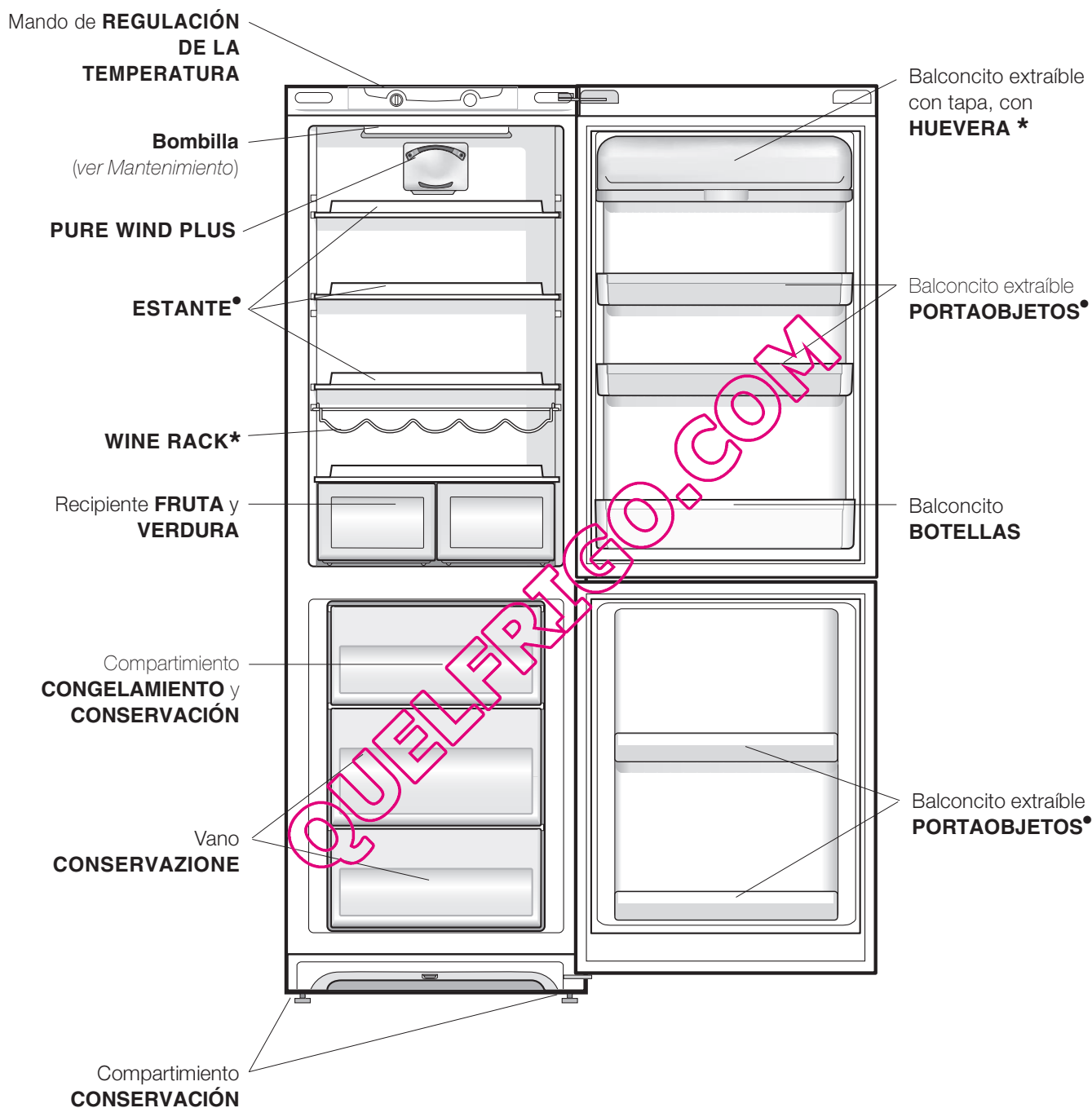


# Descripción del aparato

**Hotpoint**  
**ARISTON**

## Vista en conjunto

E



# Puesta en funcionamiento y uso

E

## Poner en marcha el aparato

**! Antes de poner en funcionamiento el aparato, siga**

las instrucciones sobre la instalación (ver *Instalación*).

**! Antes de conectar el aparato limpie bien los compartimentos y los accesorios con agua tibia y bicarbonato.**

1. Enchufe el aparato en la toma de corriente y verifique que se encienda la lámpara de iluminación interna.
2. Gire el mando de REGULACIÓN DE LA TEMPERATURA hasta un valor medio. Después de algunas horas será posible introducir alimentos en el frigorífico.

## Regulación de la temperatura

La temperatura interna del compartimento frigorífico se regula automáticamente en base a la posición del mando del termostato.

**1** = menos frío

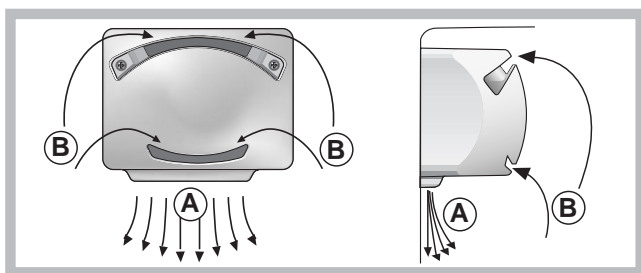
**MAX** = más frío

Se aconseja, en todo caso, poner una posición media. Para aumentar el espacio disponible y mejorar el aspecto estético, este aparato posee la "parte refrigerante" ubicada en el interior de la pared posterior del compartimento frigorífico. Durante el funcionamiento, dicha pared se presentará cubierta de escarcha o de gotitas de agua según si el compresor está en funcionamiento o en pausa. ¡No se preocupe por ello! El frigorífico está trabajando de forma normal.

## Sistema de enfriamiento

### PURE WIND PLUS

Es identificable por la presencia del dispositivo en la pared superior del compartimento frigorífico (ver la figura).

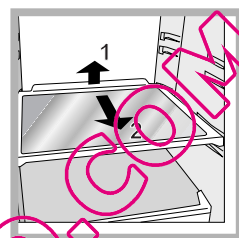


Pure Wind Plus optimiza al máximo la circulación del aire, mejorando la eficiencia del evaporador y contribuyendo a alcanzar con mayor rapidez la

temperatura adecuada dentro del frigorífico luego de su abertura. El aire ventilado (A) se enfría en contacto con la pared fría, mientras que el aire más caliente (B) se aspira (ver la figura).

La pared posterior se encuentra cubierta de escarcha o de gotitas de agua según si el compresor está en funcionamiento o en pausa.

Si se coloca el mando de REGULACIÓN DE LA TEMPERATURA en valores altos, con grandes cantidades de alimentos y con una temperatura ambiente elevada, el aparato puede funcionar continuamente, produciendo una excesiva formación de escarcha y aumentando el consumo de electricidad. evítelo desplazando el mando hacia valores más bajos (se efectuará una descongelación automática).



**BANDEJAS:** enteras o tipo rejilla.

Son extraíbles y su altura es regulable gracias a las guías especiales (ver la figura), se utilizan para introducir recipientes o alimentos de gran tamaño. Para regular la altura no es necesario extraer las bandejas completamente.

Indicador de **TEMPERATURA:** para individualizar la zona más fría del frigorífico.

1. Controle que en el indicador se destaque en forma evidente OK (ver la figura).



2. Si no aparece el mensaje OK significa que la temperatura es demasiado elevada: regule el mando de FUNCIONAMIENTO DEL FRIGORÍFICO hasta una posición más alta (más frío) y espere aproximadamente 10 h hasta que la temperatura se haya estabilizado.
3. Controle nuevamente el indicador: si es necesario, realice una nueva regulación. Si se han introducido grandes cantidades de alimentos o si se ha abierto frecuentemente la puerta del frigorífico, es normal que el indicador no marque OK. Espere 10 h como mínimo antes de llevar el mando de FUNCIONAMIENTO DEL FRIGORÍFICO hasta una posición más alta.

## Utilizar el refrigerador en forma óptima

- Para regular la temperatura utilice la perilla de FUNCIONAMIENTO DEL REFRIGERADOR (ver Descripción).
- Introduzca sólo alimentos fríos o apenas tibios, nunca calientes (ver Precauciones y consejos).
- Recuerde que los alimentos cocidos no se mantienen durante más tiempo que los crudos.
- No introduzca recipientes destapados con líquidos: produciría un aumento de humedad con la consiguiente formación de condensado.

### La higiene de los alimentos

1. Después de la compra de los alimentos, elimine todo tipo de envoltura externa de papel/cartón o de otro material que podrían introducir en el refrigerador bacterias o suciedad.
2. Proteja los alimentos, (en particular aquellos que se deterioran fácilmente y los que emanan un fuerte aroma), para evitar el contacto entre ellos eliminando de este modo tanto la posibilidad de contaminación con gérmenes/bacterias, como la difusión de olores particulares en el interior del refrigerador
3. Coloque los alimentos de modo tal que el aire pueda circular libremente entre ellos
4. Mantenga limpio el interior del refrigerador sin utilizar productos oxidantes o abrasivos
5. Elimine los alimentos del refrigerador una vez vencido el tiempo máximo de conservación
6. Para lograr una buena conservación, los alimentos que se deterioran fácilmente ( quesos blandos, pescado crudo, carne, etc...) se deben colocar en la zona más fría, o sea la que está sobre el recipiente para verduras, donde se encuentra el indicador de temperatura.

## Uso óptimo del congelador

- No vuelva a congelar alimentos que están por descongelar o descongelados; dichos alimentos deben ser previamente cocinados para ser consumidos (dentro de las 24 horas).
  - Los alimentos frescos por congelar no deben colocarse en contacto con los ya congelados; se deben colocar sobre la rejilla del compartimento congelador, si es posible, en contacto con las paredes (laterales y posterior) donde la temperatura desciende por debajo de los  $-18^{\circ}\text{C}$  y garantiza una mayor velocidad de congelación.
  - No coloque en el congelador botellas de vidrio que contengan líquidos, tapadas o cerradas herméticamente porque podrían romperse.
  - La cantidad máxima diaria de alimentos a congelar está indicada en la placa de características ubicada en el compartimento frigorífico abajo a la izquierda (por ejemplo: 4 kg/24h).
  - Para obtener un mayor espacio en el compartimento congelador, podrá quitar los recipientes (excepto el inferior y el recipiente COOL CARE ZONE de temperatura variable) y colocar los alimentos directamente en las placas evaporadoras.
- ! Evite abrir la puerta durante la congelación.
- ! Cuando se produzca una interrupción de corriente o una avería, no abra la puerta del congelador: de este modo, los alimentos congelados se conservarán sin alteración durante aproximadamente 9-14 horas.
- ! Si durante un largo período de tiempo la temperatura ambiente permanece por debajo de los  $14^{\circ}\text{C}$ , no se alcanzan las temperaturas necesarias para una larga conservación en el compartimento congelador y, por lo tanto, el período de conservación resultará menor.

# Mantenimiento y cuidados

E

## Cortar la corriente eléctrica

Durante los trabajos de limpieza y mantenimiento, es necesario aislar el aparato de la red de alimentación eléctrica, desenchufándolo:

No es suficiente llevar el mando para la regulación de la temperatura hasta la posición **OFF** (aparato apagado) para eliminar todo contacto eléctrico.

## Limpiar el aparato

- Las partes externas, las partes internas y las juntas de goma se pueden limpiar con una esponja empapada en agua tibia y bicarbonato sódico o jabón neutro. No utilice disolventes, productos abrasivos, lejía o amoníaco.
- Los accesorios extraíbles se pueden colocar en remojo en agua caliente y jabón o detergente para platos. Enjuáguelos y séquelos con cuidado.
- La parte posterior del aparato tiende a cubrirse de polvo que se puede eliminar, después de haber apagado y desenchufado el aparato, utilizando con delicadeza la boca de la aspiradora y trabajando con una potencia media.

## Evitar la formación de moho y malos olores

- El aparato está fabricado con materiales higiénicos que no transmiten olores. Para mantener esta característica es necesario que los alimentos estén siempre protegidos y bien cerrados. Esto evitará también la formación de manchas.
- Si se debe apagar el aparato por un largo periodo, limpie su interior y deje las puertas abiertas.

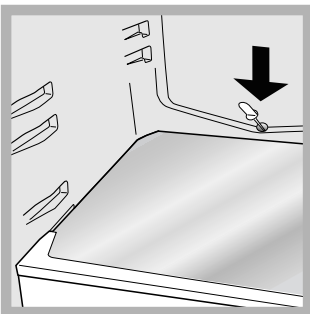
## Descongelar el aparato

! Respete las instrucciones que se dan a continuación. Para descongelar el aparato no utilice objetos cortantes o con punta porque podrían dañar irremediablemente el circuito refrigerante.

## Descongelar el compartimento frigorífico

El frigorífico posee descongelación automática: el agua se envía hacia la parte posterior por un orificio de descarga

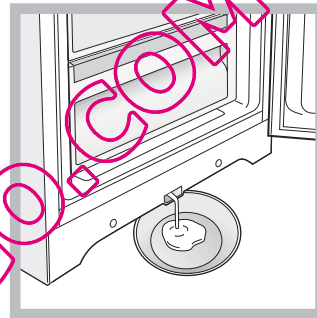
(ver la figura) donde el calor producido por el compresor la hace evaporar. La única intervención que se debe realizar periódicamente consiste en limpiar el orificio de descarga para que el agua pueda fluir libremente.



## Descongelar el compartimento congelador

Si la capa de escarcha es superior a los 5 mm es necesario realizar una descongelación manual:

1. Coloque el mando de REGULACIÓN DE LA TEMPERATURA en la posición **OFF**.
2. Envuelva los alimentos congelados en papel de periódico y colóquelos en otro congelador o en un lugar fresco.
3. Deje la puerta abierta hasta que la escarcha se haya derretido completamente; facilite la operación colocando en el compartimento congelador recipientes con agua tibia.
4. Limpie y seque con cuidado el compartimento congelador antes de volver a encender el aparato.



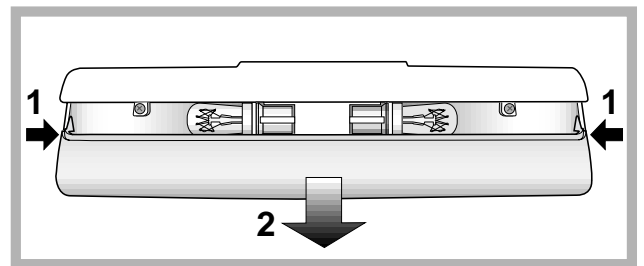
5. Algunos aparatos poseen el SISTEMA DRAIN para enviar el agua hacia el exterior: deje que el agua fluya recogiéndola en un recipiente (ver la figura).

6. Antes de introducir los alimentos en el compartimento congelador, espere aproximadamente 2 horas para restablecer las condiciones ideales de conservación.

## Sustituir la bombilla

Para sustituir la bombilla de iluminación del compartimento frigorífico, desenchufe el aparato. Siga las instrucciones que se dan a continuación.

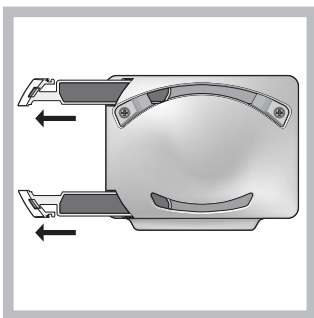
Acceda a la lámpara quitando la protección como se indica en la figura. Sustitúyala con otra bombilla con una potencia igual a la indicada en la protección (15 W o 25 W).



## **PURE WIND PLUS**

### **Mantenimiento de los filtros**

Desenganchar los filtros de la parte izquierda de la tapa introduciendo en las ranuras la punta de un pequeño atornillador (ver imágenes adjuntas). Lavar periódicamente (cada 12-18 meses) los filtros bajo agua corriente y con detergente neutro para quitar posibles residuos depositados. Dejar secar bien antes de volver a montar los filtros en su asiento. Si los filtros no son extraíbles o si es difícil su extracción, contacte la asistencia técnica.





QUELFRIGO.COM

# Precauciones y consejos

E

! El aparato ha sido proyectado y fabricado en conformidad con las normas internacionales sobre seguridad. Estas advertencias se suministran por razones de seguridad y deben ser leídas atentamente.

 Este equipamiento es conforme con las siguientes Directivas Comunitarias:  
- 73/23/CEE del 19/02/73 (Baja Tensión) y sucesivas modificaciones;  
 -89/336/CEE del 03/05/89 (Compatibilidad Electromagnética) y sucesivas modificaciones;  
- 2002/96/CE..

## Seguridad general

- El aparato ha sido pensado para un uso de tipo no profesional en el interior de una vivienda.
- El aparato debe ser utilizado para conservar y congelar alimentos sólo por personas adultas y según las indicaciones contenidas en este manual.
- El aparato no se debe instalar al aire libre ni siquiera si el lugar está protegido debido a que es muy peligroso dejarlo expuesto a la lluvia y tormentas.
- No toque el aparato estando descalzo o con las manos o pies mojados o húmedos.
- No toque las piezas refrigerantes internas: podría quemarse o herirse.
- No desenchufe el aparato tirando del cable sino sujetando el enchufe.
- Es necesario desenchufar el aparato antes de realizar operaciones de limpieza y de mantenimiento. No es suficiente llevar el mando para LA REGULACIÓN DE LA TEMPERATURA hasta la posición **OFF** (aparato apagado) para eliminar todo contacto eléctrico.
- En caso de avería, nunca acceda a los mecanismos internos para intentar una reparación.
- En el interior de los compartimentos donde se conservan alimentos congelados, no utilice utensilios cortantes o con punta ni aparatos eléctricos, que no sean los recomendados por el fabricante.
- No introduzca en su boca cubitos apenas extraídos del congelador.
- No permita a los niños que jueguen con el aparato. No se deben sentar en los cajones o colgarse de la puerta.
- Los embalajes no son juguetes para los niños.

## Eliminación

- Eliminación del material de embalaje: respete las normas locales, de esta manera los embalajes podrán ser reutilizados.
- En base a la Norma europea 2002/96/CE de Residuos de aparatos Eléctricos y Electrónicos (RAEE), los electrodomésticos viejos no pueden ser arrojados en los contenedores municipales habituales; tienen que ser recogidos selectivamente para optimizar la recuperación y reciclado de los componentes y materiales que los constituyen, y reducir el impacto en la salud humana y el medioambiente. El símbolo del cubo de basura tachado se marca sobre todos los productos para recordar al consumidor la obligación de separarlos para la recogida selectiva.  
El consumidor debe contactar con la autoridad local o con el vendedor para informarse en relación a la correcta eliminación de su electrodoméstico viejo.

## Ahorrar y respetar el medio ambiente

- Instale el aparato en una ambiente fresco y bien aireado, protéjalo de la exposición directa a los rayos solares y no lo coloque cerca de fuentes de calor.
- Para introducir o extraer los alimentos, abra las puertas del aparato el menor tiempo posible. Cada apertura de las puertas produce un notable gasto de energía.
- No llene con demasiados alimentos el aparato: para una buena conservación, el frío debe poder circular libremente. Si se impide la circulación, el compresor trabajará continuamente.
- No introduzca alimentos calientes: elevarían la temperatura interior obligando al compresor a un mayor trabajo con un gran gasto de energía eléctrica.
- Descongele el aparato si se formara hielo (*ver Mantenimiento*); una espesa capa de hielo vuelve más difícil la cesión de frío a los alimentos y hace que aumente el consumo de energía.
- Mantenga eficientes y limpias las juntas para que se adhieran bien a las puertas y no dejen salir el frío (*ver Mantenimiento*).

Puede suceder que el aparato no funcione. Antes de llamar al Servicio de Asistencia Técnica (*ver Asistencia*), controle que no se trate de un problema fácilmente solucionable con la ayuda de la siguiente lista.

E

## Anomalías:

## Posibles causas / Solución:

**La lámpara de iluminación interna no se enciende.**

- El enchufe no está introducido en la toma de corriente o no está lo suficiente como para hacer contacto o bien en la casa no hay corriente.

**El frigorífico y el congelador enfrían poco.**

- Las puertas no cierran bien o las juntas están dañadas.
- Las puertas se abren demasiado frecuentemente.
- El mando de REGULACIÓN DE LA TEMPERATURA no está en la posición correcta.
- El frigorífico o el congelador se han llenado excesivamente.
- La temperatura ambiente de trabajo del producto es menor que 14°C.

**En el frigorífico los alimentos se congelan.**

- El mando de REGULACIÓN DE LA TEMPERATURA no está en la posición correcta.
- Los alimentos están en contacto con la pared posterior.

**El ventilador PURE WIND PLUS no gira.**

- El sistema PURE WIND PLUS se activa automáticamente sólo cuando es necesario restablecer las condiciones óptimas en el interior del compartimento frigorífico.

**El motor funciona continuamente.**

- La puerta no está bien cerrada o se abre continuamente.
- La temperatura del ambiente externo es muy alta.
- El espesor de la escarcha supera los 2-3 mm (*ver Mantenimiento*).

**El aparato hace mucho ruido.**

- El aparato no fue instalado en un lugar plano (*ver Instalación*).
- El aparato ha sido instalado entre muebles u objetos que vibran y producen ruidos.
- El gas refrigerante interior produce un ligero ruido aún cuando el compresor está detenido: no es un defecto, es normal.

**La temperatura de algunas partes externas del frigorífico es elevada.**

- Las temperaturas elevadas son necesarias para evitar la formación de condensación en zonas particulares del producto.

**En la pared del fondo de la cámara de refrigeración se ha formado escarcha o gotitas de agua:**

- Se trata del funcionamiento normal del producto.

**En el fondo del frigorífico hay agua.**

- El orificio de descarga del agua está obstruido (*ver Mantenimiento*).



E


### Antes de llamar al Servicio de Asistencia Técnica:

- Verifique si la anomalía puede ser resuelta por Ud. mismo (ver *Anomalías y Soluciones*).
- Si, no obstante todos los controles, el aparato no funciona y el inconveniente por Ud detectado continúa, llame al Centro de Asistencia Técnico más cercano.

### Comuníquese:

- el tipo de anomalía
- el modelo de la máquina (Mod.)
- el número de serie (S/N)

Esta información se encuentra en la placa de características ubicada en el compartimento frigorífico abajo a la izquierda.

modelo				número de serie					
Mod. <b>RG 2330</b>				TI		Cod. <b>93139180000</b>		S/N <b>704211801</b>	
240 V-		Hz		150 W		W		Fuse A	
Total	340	75				Freez.	Capac	Class	
Gross Bruto		Gross Bruto		Net Util		Gross Bruto	Poder de Cong	Clase <b>N</b>	
							kg/24 h	4,0	
Compr. Syst.	R 134 a	Test	Pressure	HIGH-235					
Kompr.	kg 0,090	P.S-I.	LOW	140					
Made in Italy 13918									

No recurra nunca a técnicos no autorizados y rechace siempre la instalación de repuestos que no sean originales.

La siguiente información es válida solo para España  
Para otros países de habla hispana consulte a su vendedor

### Ampliación de garantía

Llame al **902.363.539** y le informaremos sobre el fantástico plan de ampliación de garantía hasta 5 años. Consiga una cobertura total adicional de

- Piezas y componentes
- Mano de obra de los técnicos
- Desplazamiento a su domicilio de los técnicos

**Y NO PAGUE AVERIAS NUNCA MAS**

### Servicio de asistencia técnica (SAT)

Llame al **902.133.133** y nuestros técnicos intervendrán con rapidez y eficacia, devolviendo el electrodoméstico a sus condiciones óptimas de funcionamiento.

En el SAT encontrará recambios, accesorios y productos específicos para la limpieza y mantenimiento de su electrodoméstico a precios competitivos.

**ESTAMOS A SU SERVICIO**



# Instruções para a utilização

## COMBINADO FRIGORÍFICO/CONGELADOR

PT

I

Italiano, 1

GB

English, 11

F

Français, 21

E

Espanol, 31

P

Portuges, 41

PL

Polski, 51

**BMBM 1821 V (FR)/HA**

### Índice

#### Instalação, 42

Posicionamento e ligação  
Reversibilidade da abertura das portas

#### Descrição do aparelho, 43

Vista geral

#### Início e utilização, 44-45

Iniciar o aparelho  
Regulação da temperatura  
Sistema de refrigeração  
Utilize melhor o frigorífico  
Utilize melhor o congelador

#### Manutenção e cuidados, 46-47

Interromper a corrente eléctrica  
Limpar o aparelho  
Evite bolor e maus cheiros  
Degelar o aparelho  
Substituição da lâmpada  
PURE WIND PLUS Mantenimiento de los filtros

#### Precauções e conselhos, 48

Segurança geral  
Eliminação  
Economizar e respeitar o meio ambiente

#### Anomalias e soluções, 49

#### Assistência, 50

 **Hotpoint**  

---

**ARISTON**



# Instalação

PT

! É importante guardar este folheto para poder consultá-lo a qualquer momento. No caso de venda, cessão ou mudança, assegure-se que o mesmo permaneça junto com o aparelho para informar ao novo proprietário sobre o funcionamento e as suas respectivas advertências.

! Leia com atenção as instruções: há informações importantes sobre a instalação, a utilização e a segurança.

## Posicionamento e ligação

### Posicionamento

1. Posicione o aparelho num ambiente bem ventilado e não húmido.
2. Não tape as grades traseiras de ventilação: o compressor e o condensador emitem calor e necessitam de uma boa ventilação para funcionarem bem e os consumos de electricidade diminuirão.
3. Deixe uma distância de pelo menos 10 cm. entre a parte superior do aparelho e os móveis que houver acima, e de pelo menos 5 cm. entre as laterais e os móveis/paredes aos lados.
4. Deixe o aparelho longe de fontes de calor (a luz do sol directa, um fogão eléctrico).
5. Para manter uma distância ideal entre o produto e a parede posterior, montar os distanciadores presentes no kit de instalação seguindo as instruções presentes na folha dedicada.

### Nivelamento

1. Instale o aparelho sobre um piso plano e rígido.
2. Se o pavimento não for perfeitamente horizontal, para compensar, desatarraxe ou atarraxe os pés dianteiros.

### Ligação eléctrica

Depois do transporte, posicione o aparelho na vertical e aguarde pelo menos 3 horas antes de ligar o sistema eléctrico. Antes de colocar a ficha na tomada eléctrica, certifique-se que:

- a tomada tenha uma ligação à terra e seja em conformidade com a legislação;
- a tomada tenha a capacidade de suportar a carga máxima de potência da máquina, indicada na placa de identificação situada no compartimento frigorífico em baixo à esquerda (p. ex.: 150 W);
- a tensão de alimentação seja entre os valores indicados na placa de identificação, situada embaixo à esquerda (p. ex.: 220-240 V);
- a tomada seja compatível com a ficha do aparelho.  
Em caso contrário peça a substituição da ficha a um técnico autorizado (veja a Assistência); não utilize extensões nem tomadas múltiplas.

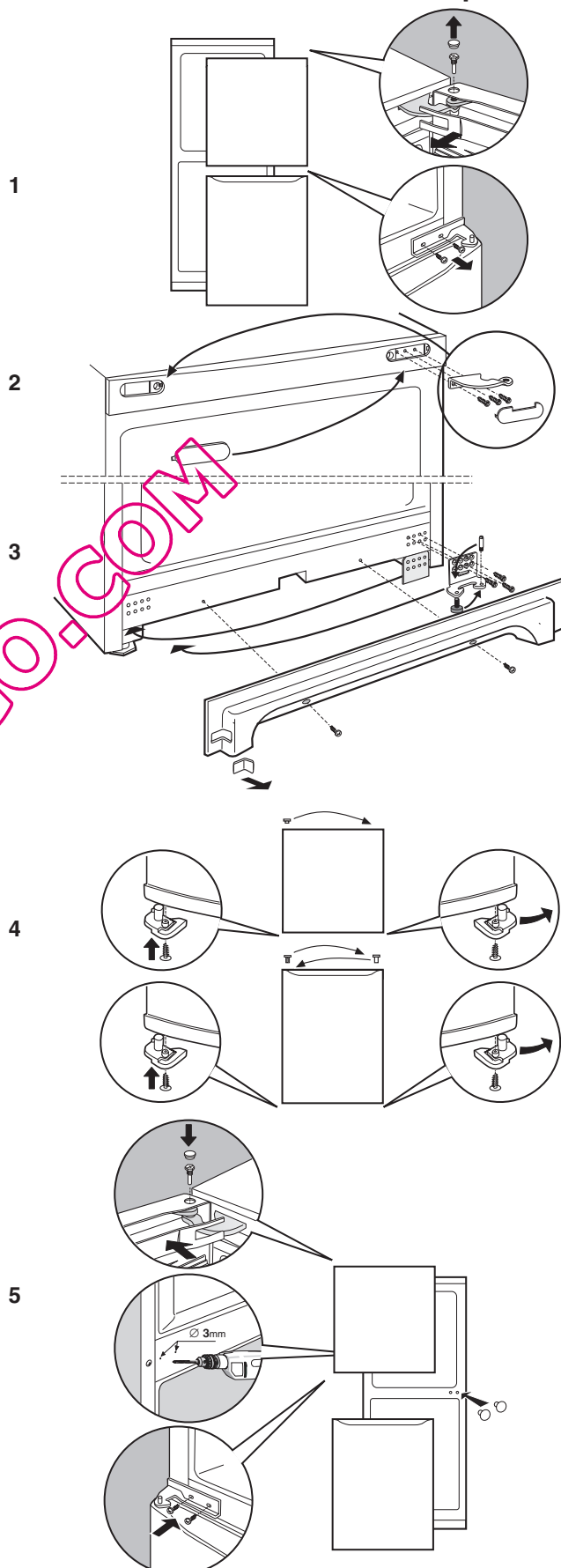
! Com o aparelho instalado, deve ser fácil o acesso ao cabo eléctrico e à tomada eléctrica.

! O cabo não deve ser dobrado nem sofrer pressões.

! O cabo deve ser verificado periodicamente e substituído somente por técnicos autorizados (veja a Assistência).

! A empresa exime-se de qualquer responsabilidade se estas regras não forem obedecidas.

## Reversibilidade da abertura das portas

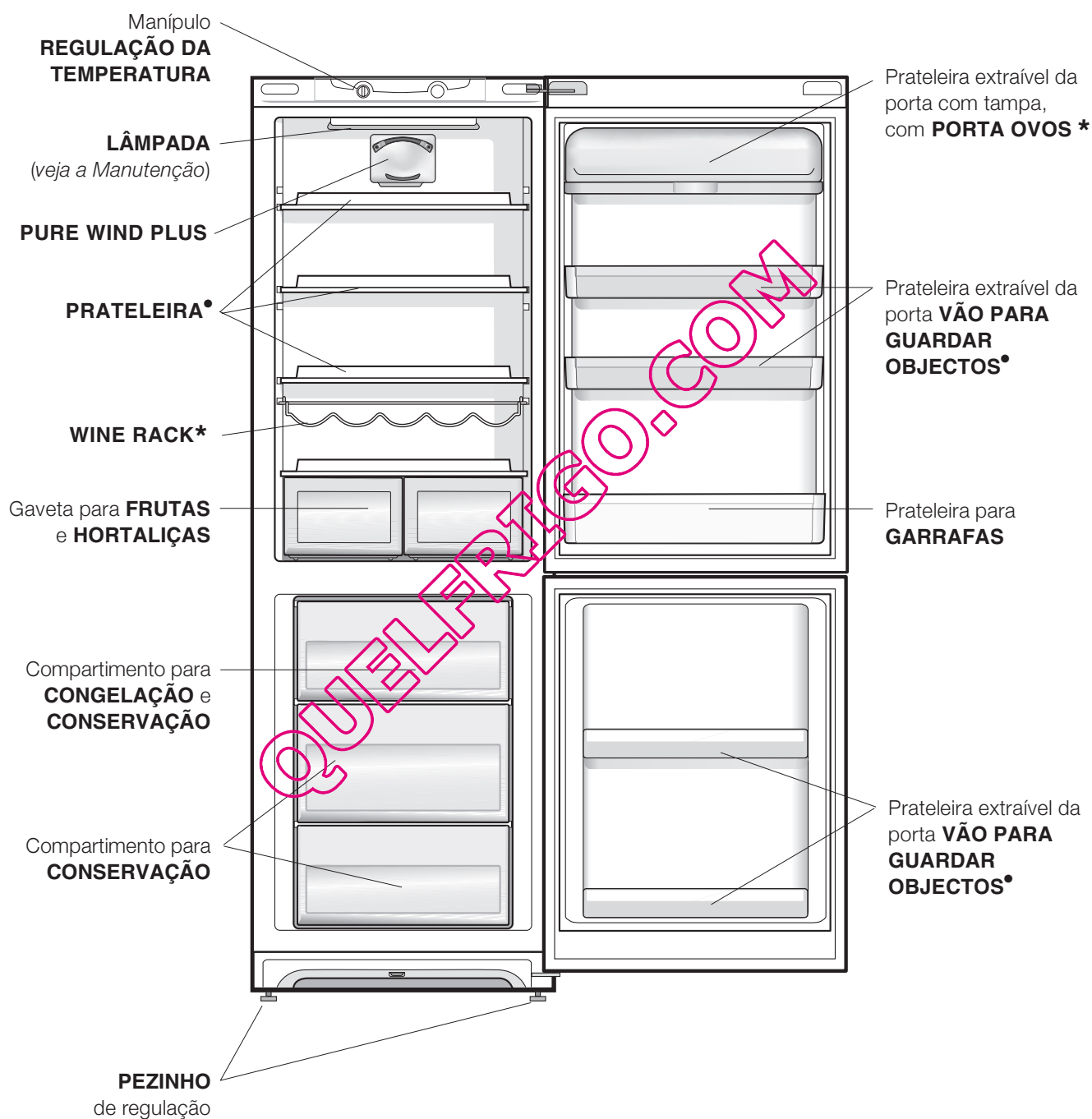


# Descrição do aparelho

## Visão geral

PT

Estas instruções sobre a utilização são válidas para vários modelos, portanto é possível que na figura haja pormenores diferentes do aparelho que adquiriu. Há uma descrição dos assuntos mais complexos nas páginas seguintes.



• Variáveis em número e/ou na posição.

\* Presente somente em alguns modelos.

# Início e utilização

PT

## Iniciar o aparelho

**! Antes de iniciar o aparelho, obedeça** as instruções para a instalação (veja a *Instalação*).

**! Antes de ligar o aparelho limpe bem os** compartimentos e os acessórios com água morna e bicarbonato.

1. Ligue a ficha numa tomada eléctrica e assegure-se que a lâmpada de iluminação interna.
2. Rode o selector para A REGULAÇÃO DA TEMPERATURA num valor médio. Depois de algumas horas será possível guardar alimentos no frigorífico.

## Regulação da temperatura

A temperatura no interior do compartimento frigorífico regula-se automaticamente em função da posição do botão para a regulação da temperatura.

**1** = menos frio

**MAX** = mais frio.

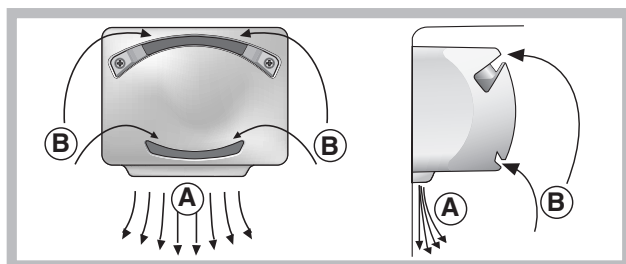
É aconselhado em todo o caso uma posição média

Para aumentar o espaço a disposição e melhorar a aparência do aparelho, o mesmo tem a “parte refrigeradora” situada no interior do painel traseiro do compartimento frigorífico. Este painel, durante o funcionamento, estará coberto de gelo, ou de gotinhas de água, dependendo se o compressor estiver a funcionar ou em pausa. Não se preocupe com isto! O frigorífico está a funcionar de modo normal.

## Sistema de refrigeração

### PURE WIND PLUS

Pode ser reconhecido pela presença do dispositivo na parede superior do compartimento frigorífico (veja a *figura*).

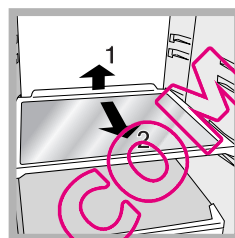


Pure Wind Plus otimiza ao máximo a circulação do ar, melhorando a eficácia do evaporador e ajudando a alcançar mais rapidamente a temperatura correcta no interior do frigorífico após cada abertura.

O ar soprado (A) arrefece em contacto com a parede fria, enquanto que o ar mais quente (B) é aspirado (veja a *figura*).

A parede posterior apresenta-se coberta de gelo ou gotinhas de água, conforme o compressor esteja em funcionamento ou em pausa.

Se configurar-se o selector de FUNCIONAMENTO DO FRIGORÍFICO em valores altos, com grandes quantidades de alimentos e com uma temperatura ambiente alta, o aparelho poderá funcionar continuamente, e favorecer uma formação excessiva de gelo e consumos de electricidade excessivos: para evitar isto, coloque o selector em valores mais baixos (o gelo será derretido automaticamente).



**PRATELEIRAS:** vidro ou de grade.

Podem ser extraídas e têm altura regulável mediante as guias para este fim (veja a *figura*), para introduzir recipientes ou alimentos de tamanho grande. Para regular a altura não é necessário retirar inteiramente a prateleira.

Indicador da **TEMPERATURA:** para identificar a zona mais fria do frigorífico.

1. Verifique se no indicador está em OK de maneira bem evidente (veja a *figura*).



2. Se não aparecer a escrita OK significa que a temperatura está alta demais: regule a selector de FUNCIONAMENTO DO FRIGORÍFICO numa posição mais alta (mais fria) e aguarde aproximadamente 10 h. até a temperatura estabilizar-se.

3. Verifique novamente o indicador: e, se for necessário, realize uma nova regulação. Se forem guardadas grandes quantidades de alimentos ou se a porta for aberta frequentemente, é normal que o indicador não esteja em OK. Aguarde pelo menos 10 h. antes de regular o selector de FUNCIONAMENTO DO FRIGORÍFICO numa posição mais alta.

## Utilize melhor o frigorífico

- Para regular a temperatura utilize o selector de FUNCIONAMENTO DO FRIGORÍFICO (veja a Descrição).
- Coloque somente alimentos frios ou levemente mornos, mas não quentes (veja Precauções e conselhos).
- Lembre-se que os alimentos cozidos não se mantêm mais tempo do que os crus.
- Não guarde líquidos em recipientes destampados: poderão provocar aumento de humidade com consequente formação de condensação.

## A higiene alimentar

1. Depois de comprar alimentos, tire-os de todas as embalagens exteriores em papel/cartolina ou outras embalagens, que podem introduzir no frigorífico bactérias ou sujidade.
2. Proteja os alimentos, (especialmente os facilmente perecíveis e os que emanem cheiro forte), para evitar contacto entre os mesmos, e elimine desta maneira quer a possibilidade de contaminação de germes/ bactérias, quer a difusão de cheiros fortes no interior do frigorífico.
3. Guarde os alimentos de maneira que possa circular ar livremente entre os mesmos.
4. Mantenha limpo o interior do frigorífico, preste atenção para não utilizar produtos oxidantes ou abrasivos.
5. Tire os alimentos do frigorífico quando passar a duração máxima de conservação.
6. Para uma boa conservação, os alimentos facilmente perecíveis (queijos moles, peixe cru, carne etc. ...) devem ser guardados na zona mais fria, ou seja sobre a gaveta das hortaliças, onde há o indicador de temperatura.

## Utilize melhor o congelador

- Não congele novamente alimentos que estiverem a descongelar-se ou descongelados; estes alimentos devem ser cozidos para ser consumados (dentro de 24 horas).
- Os alimentos frescos a serem congelados não devem ser colocados encostados nos já congelados; devem ser guardados sobre a grade do compartimento congelador, se possível encostados nas paredes (laterais e traseiras) nas quais a temperatura desce abaixo de - 18°C e garante uma boa velocidade de congelação.
- Não coloque no congelador garrafas de vidro contendo líquidos, tampadas ou fechadas hermeticamente, porque poderão partir-se.
- A quantidade máxima diária de alimentos a ser congelada é indicada na placa de identificação, situada no compartimento frigorífico, embaixo à esquerda (por exemplo: Kg/24h 4).
- A fim de obter um espaço maior no compartimento congelador, é possível tirar as gavetas das suas posições (excepto aquela mais baixa ou a eventual gaveta COOL CARE ZONE com temperatura variável) e guardar os alimentos directamente nas chapas de evaporação.

! Durante a congelação evite abrir a porta.

! Em caso de interrupção de corrente ou de avaria, não abra a porta do congelador: desta maneira os alimentos congelados em casa ou industriais não sofrerão alterações durante aproximadamente 9 ~ 14 horas.

! Se durante muito tempo, a temperatura ambiente permanecer inferior a 14° C, não se chegará plenamente às temperaturas necessárias para uma longa conservação no compartimento congelador e, portanto, o período de conservação será reduzido.

# Manutenção e cuidados

PT

## Interromper a corrente eléctrica

Durante as operações de limpeza e manutenção é necessário isolar o aparelho da rede eléctrica: Não é suficiente colocar os selectores de regulação da temperatura na posição **OFF** (aparelho desligado) para eliminar todos os contactos eléctricos.

## Limpar o aparelho

- As partes externas, as partes internas e as guarnições de borracha podem ser limpadas com uma esponja molhada de água morna e bicarbonato de sódio ou sabão neutro. Não empregue solventes, abrasivos, água de javel nem amoníaco.
- Os acessórios removíveis podem ser colocados de molho em água quente e sabão ou detergente para pratos. Enxagúe-os e enxugue-os com cuidado.
- Na parte de trás do aparelho tende a acumular-se poeira, que pode ser eliminada, depois de ter desligado o aparelho e retirado a ficha da tomada eléctrica, utilizando delicadamente o bocal comprido de um aspirador de pó, regulado numa potência média.

## Evite bolor e maus cheiros

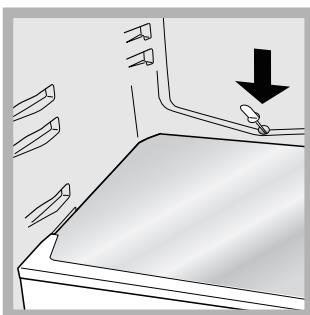
- Este aparelho foi fabricado com materiais higiénicos que não transmitem odores. Para manter esta característica é necessário os alimentos serem sempre protegidos e bem fechados. Isto também evitará a formação de manchas.
- Se for deixar o aparelho muito tempo desligado, limpe-o por dentro e deixe as portas abertas.

## Descongela o aparelho

**!** Obedeça as seguintes instruções:  
Para descongela el aparato no utilice objetos cortantes o con punta porque podrían dañar irremediabilmente el circuito refrigerante.

## Descongela o compartimento frigorífico

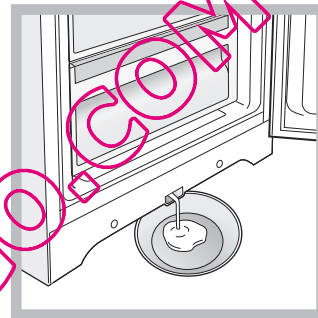
Este frigorífico é equipado com degelo automático: a água derretida é conduzida para a parte traseira através de um furo de descarga (veja a figura) desta maneira o calor produzido pelo compressor evapora-se. A única intervenção a ser realizada periodicamente consiste na limpeza do furo de descarga para a água poder defluir desimpedida.



## Descongela o compartimento congelador

Se a camada de gelo for superior a 5 mm, será necessário descongela manualmente:

1. Coloque o selector para A REGULAÇÃO DA TEMPERATURA na posição **OFF**.
2. Envolve os alimentos congelados industrialmente ou em casa com folhas de papel e guarde-os num sítio fresco.
3. Deixe a porta aberta até o gelo ter-se derretido inteiramente; para facilitar a operação coloque recipientes com água morna dentro do compartimento congelador.
4. Limpe e enxugue o compartimento congelador com cuidado antes ligar novamente o aparelho.



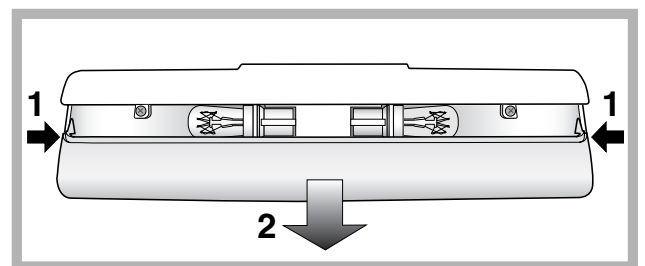
5. Alguns aparelhos são equipados com um SISTEMA DE DRAIN para conduzir a água para fora: deixe a água defluir para um recipiente (veja a figura).

6. Antes de introduzir os alimentos no compartimento do congelador, aguardar aproximadamente duas horas para o restabelecimento das condições ideais de conservação.

## Substituição da lâmpada

Para substituir a lâmpada de iluminação do compartimento frigorífico, desligue a ficha da tomada de corrente. Obedeça as seguintes instruções.

Para obter acesso à lâmpada, retire a protecção da maneira indicada na figura. Substitua-a por uma de potência análoga à indicada na protecção (15 W o 25 W).



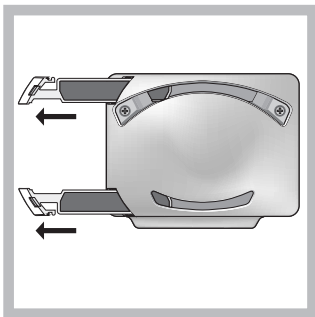
## **PURE WIND PLUS**

### **Mantenimiento de los filtros**

Desenganchar los filtros de la parte izquierda de la tapa introduciendo en las ranuras la punta de un pequeño atornillador (ver imágenes adjuntas).

Lavar periódicamente (cada 12-18 meses) los filtros bajo agua corriente y con detergente neutro para quitar posibles residuos depositados. Dejar secar bien antes de volver a montar los filtros en su asiento.

Si los filtros no son extraíbles o si es difícil su extracción, contacte la asistencia técnica.




QUELFRIGO.COM



# Precauções e conselhos

PT

! Este aparelho foi projectado e fabricado em conformidade com as regras internacionais de segurança. Estas advertências são fornecidas para razões de segurança e devem ser lidas com atenção.

 Esta aparelhagem é em conformidade com a seguintes Directivas da Comunidade Europeia:  
- 73/23/CEE do 19/02/73 (Baixa Tensão) e sucessivas modificações;  
- 89/336/CEE do 03/05/89 (Compatibilidade Electromagnética) e sucessivas modificações.



## Segurança geral

- Este aparelho foi concebido para uma utilização de tipo não profissional, no âmbito de uma morada.
- Este aparelho deve ser utilizado somente por pessoas adultas, para conservar e congelar alimentos, segundo as instruções apresentadas neste folheto.
- Este aparelho não deve ser instalado ao ar livre mesmo se num sítio abrigado, porque é muito perigoso deixá-lo exposto à chuva e temporais.
- Não toque neste aparelho com os pés descalços nem com as mãos ou os pés molhados ou húmidos.
- Não toque nas partes de refrigeração internas: há perigo de queimaduras e feridas.
- Não puxe o cabo eléctrico para desligar a ficha da tomada, mas pegue pela ficha.
- É necessário desligar a ficha da tomada antes de realizar operações de limpeza e manutenção. Não é suficiente colocar os selectores de regulação da temperatura na posição **OFF** (aparelho desligado) para eliminar todos os contactos eléctricos.
- No caso de avaria, nunca mexa nos mecanismos internos para tentar reparar.
- En el interior de los compartimentos donde se conservan alimentos congelados, no utilice utensilios cortantes o con punta ni aparatos eléctricos, que no sean los recomendados por el fabricante.
- Não coloque na boca cubos de gelo assim que os retirar do congelador.
- Não permita que crianças brinquem com este aparelho. Em nenhum caso pode-se sentar-se nas gavetas ou pendurar-se na porta.
- Os embalagens não são brinquedos para as crianças.

## Eliminação

- Eliminação do material de embalagem: obedeça as regras locais, ou reutilize as embalagens.
- A directiva Europeia 2002/96/CE referente à gestão de resíduos de aparelhos eléctricos e electrónicos (RAEE), prevê que os electrodomésticos não devem ser escoados no fluxo normal dos resíduos sólidos urbanos. Os aparelhos desactualizados devem ser recolhidos separadamente para otimizar a taxa de recuperação e reciclagem dos materiais que os compõem e impedir potenciais danos para a saúde humana e para o ambiente. O símbolo constituído por um contentor de lixo barrado com uma cruz deve ser colocado em todos os produtos por forma a recordar a obrigatoriedade de recolha separada. Os consumidores devem contactar as autoridades locais ou os pontos de venda para solicitar informação referente ao local apropriado onde devem depositar os electrodomésticos velhos.

## Economizar e respeitar o meio ambiente

- Instale este aparelho num ambiente fresco e bem ventilado, proteja-o contra a exposição directa aos raios do sol, não o coloque perto de fontes de calor.
- Para colocar ou retirar alimentos, abra as portas deste aparelho o mais rapidamente possível. Cada vez que abrir as portas causa um notável gasto de energia.
- Não encha este aparelho com alimentos demais: para uma boa conservação, o frio deve poder circular livremente. Se impedir-se a circulação, o compressor funcionará continuamente.
- Não coloque dentro alimentos quentes: aumentarão a temperatura interna forçando o compressor a funcionar muito, com grande desperdício de energia eléctrica.
- Descongele este aparelho quando se formar gelo (*veja a Manutenção*); uma camada grossa de gelo torna mais difícil a transmissão do frio aos alimentos e aumenta o consumo de energia.
- Mantenha as guarnições eficientes e limpas, de maneira que adiram bem nas portas e não deixem o frio sair (*veja a Manutenção*).

Pode acontecer que este aparelho não funcione. Antes de telefonar à Assistência técnica (*veja a Assistência*), verifique se não se trata de um problema fácil de resolver com a ajuda da seguinte lista.

PT

## Anomalias:

**A lâmpada de iluminação interna não se acende.**

**O frigorífico e o congelador refrigeram pouco.**

**Os alimentos congelam-se no frigorífico.**

**A ventoinha PURE WIND PLUS não gira**

**O motor está a funcionar continuamente.**

**O aparelho está a fazer ruído.**

**A temperatura de algumas partes externas do frigorífico é elevada**

**A parede no fundo da cela frigorífica apresenta gelo ou gotas de água**

**No fundo do frigorífico há água.**

## Possíveis cause / Solução:

- A ficha não está ligada na tomada eléctrica ou não está bem ligada e portanto não há contacto, ou então não há corrente em casa.
- As portas não se fecham bem ou as guarnições estão estragadas.
- As portas são abertas com frequência excessiva.
- O selector para A REGULAÇÃO DA TEMPERATURA não está na posição certa
- O frigorífico ou o congelador foram enchidos demais.
- A temperatura ambiente de trabalho do produto é inferior a 14°C.
- O selector para A REGULAÇÃO DA TEMPERATURA não está na posição certa.
- Os alimentos estão encostados na parede traseira.
- O sistema PURE WIND PLUS activa-se automaticamente somente quando necessário para restabelecer as condições ideais no interior do compartimento frigorífico.
- A porta não está bem fechada ou é aberta continuamente.
- A temperatura do ambiente externo está muito alta.
- A espessura do gelo ultrapassa 2 ~ 3 mm. (*veja a Manutenção*).
- O aparelho não foi instalado bem plano (*veja a Instalação*).
- O aparelho foi instalado entre móveis ou objectos que vibram e emitem ruídos.
- O gás refrigerante interno produz um ruído leve mesmo quando o compressor estiver parado: não é um defeito, é normal.
- As temperaturas elevadas são necessárias para evitar a formação de condensação em particulares zonas do produto.
- Trata-se do normal funcionamento do produto.
- O furo de descarga da água está entupido (*veja a Manutenção*).

**Antes de contactar a Assistência técnica:**

- Verifique se pode resolver sozinho a anomalia (veja as *Anomalias e Soluções*).
- Se, apesar de todos os controlos, o aparelho não funcionar e o inconveniente detectado continuar, contactar o Centro de Assistência mais próximo.

**Comunique:**

- o tipo de anomalia
- o modelo da máquina (Mod.)
- o número de série (S/N)

Estas informações encontram-se na placa de identificação situada no compartimento frigorífico embaixo à esquerda.

modelo				número de série			
Mod. <b>RG 2330</b>	TI	Cod. <b>93139180000</b>	S/N <b>704211801</b>				
240 V-	Hz	150 W	W	Fuse	A	mm	Max 15
Total	340	75			Freez.	Capac	Class
Gross Bruto Brut		Gross Bruto Brut	Net Util Utile	Gross Bruto Brut	Poder de Cong	kg/24 h	Clase <b>N</b>
					4,0		Classe
Compr. Syst.	R 134 a	Test Pressure	HIGH-235				
Kompr.	kg 0,090	P.S-I.	LOW 140				
Made in Italy	13918						

**Nunca recorrer a técnicos não autorizados e negar sempre a instalação de peças sobresselentes não originais para reposição.**

QUELFRIGO.COM

# Instrukcja obsługi

LODÓWKO - ZAMRAŻARKA

PL

I

Italiano, 1

GB

English, 11

F

Français, 21

E

Espanol, 31

P

Portuges, 41

PL

Polski, 51

**BMBM 1821 V (FR)/HA**

## Spis treści

### Instalowanie, 52

Ustawienie i podłączenie  
Zmiana kierunku otwierania drzwi

### Opis urządzenia, 53

Widok ogólny

### Uruchomienie i użytkowanie, 54-55

Włączenie urządzenia  
Regulacja temperatury  
System chłodzenia  
Najlepszy sposób użytkowania lodówki  
Najlepszy sposób użytkowania zamrażarki

### Konserwacja i utrzymanie, 56-57

Odłączenie prądu elektrycznego  
Mycie urządzenia  
Unikanie pleśni i nieprzyjemnych zapachów  
Usuwanie oblodzenia w lodówko-zamrażarce  
Wymiana żarówki  
PURE WIND PLUS Konserwacja filtrów

### Zalecenia i środki ostrożności, 58

Ogólne zasady bezpieczeństwa  
Usuwanie odpadów  
Oszczędność i ochrona środowiska

### Anomalie i ich usuwanie, 59

### Serwis, 60

 **Hotpoint**  

---

**ARISTON**



# Instalacja

PL

! Należy zachować niniejszą książeczkę instrukcji dla przyszłych konsultacji. W razie sprzedaży, odsprzedaży, czy przeniesienia urządzenia w inne miejsce należy upewnić się, by przekazane została ona razem z instrukcją, aby nowy właściciel zapoznać się mógł z działaniem urządzenia i z odnośnymi informacjami.

! Należy uważnie przeczytać instrukcję obsługi gdyż zawiera ona ważne informacje dotyczące instalacji oraz właściwego i bezpiecznego użytkownika urządzenia.

## Ustawienie i podłączenie

### Ustawienie

1. Ustawić lodówko-zamrażarkę w pomieszczeniu przewiewnym i nie wilgotnym.
2. Nie zasłaniać kratki wentylacyjnych: sprężarka i skraplacz wytwarzają ciepło i wymagają dobrego przewiewu powietrza w celu właściwego funkcjonowania i oszczędności energii elektrycznej.
3. Pomiędzy górną częścią urządzenia i ewentualnymi meblami pozostawić co najmniej 10 cm, a co najmniej 5 cm pomiędzy ściankami bocznymi i meblami.
4. Lodówko-zamrażarkę ustawiać daleko od źródeł ciepła (promieni słonecznych, kuchenki elektrycznej).
5. Aby utrzymać optymalną odległość produktu od ściany mieszkania należy zamontować odpowiednie części odległościowe, które znajdują się na wyposażeniu i według instrukcji.

### Wypoziomowanie

1. Ustawić lodówko-zamrażarkę na podłodze płaskiej i sztywnej.
2. Jeśli podłoga nie jest idealnie pozioma, dokonać kompensacji poprzez dokręcenie lub odkręcenie przednich nóżek.

### Podłączenie do sieci elektrycznej

Po transporcie ustawić lodówko-zamrażarkę w pozycji pionowej, a podłączyć do sieci elektrycznej dopiero po 3 godzinach. Przed włożeniem wtyczki do gniazdka sprawdzić czy:

- gniazdko posiada odpowiednie uziemienie i zgadza się z obowiązującymi przepisami;
- wtyczka jest w stanie wytrzymać maksymalne obciążenie mocy lodówko-zamrażarki, jaka jest wskazana na tabliczce znamionowej, znajdującej się po lewej stronie u dołu w komorze lodówki (na przykład 150W);
- napięcie zasilania musi zawierać się w wartościach podanych na tabliczce znamionowej, znajdującej się u dołu, po lewej stronie (na przykład 220-240V);
- gniazdko musi być kompatybilne z wtyczką urządzenia. W przeciwnym wypadku zażądać od autoryzowanego technika wymiany wtyczki (> patrz Serwis); nie używać przedłużaczy lub rozgałęźników.

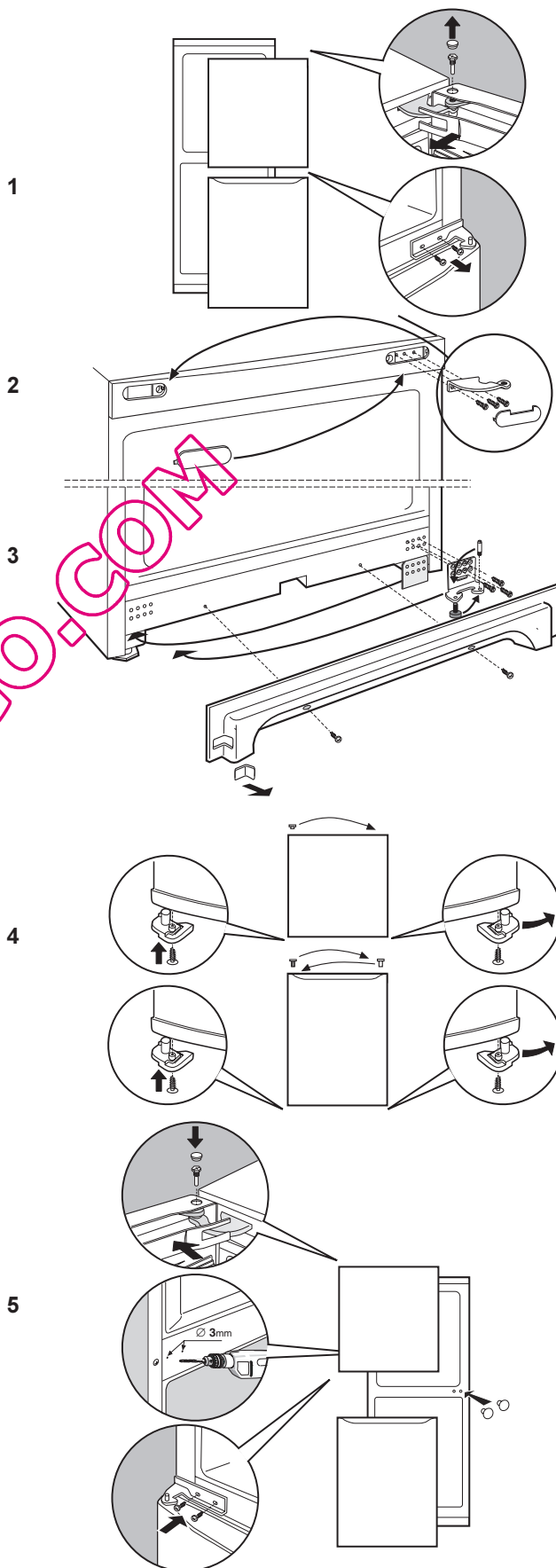
! Tak ustawić lodówko-zamrażarkę, aby przewód elektryczny i gniazdko prądu były łatwo dostępne.

! Kabla nie wolno zginać i uważać, aby nie został zgnieciony.

! Przewód elektryczny musi być okresowo sprawdzany i wymieniany jedynie przez autoryzowanych techników (patrz Serwis).

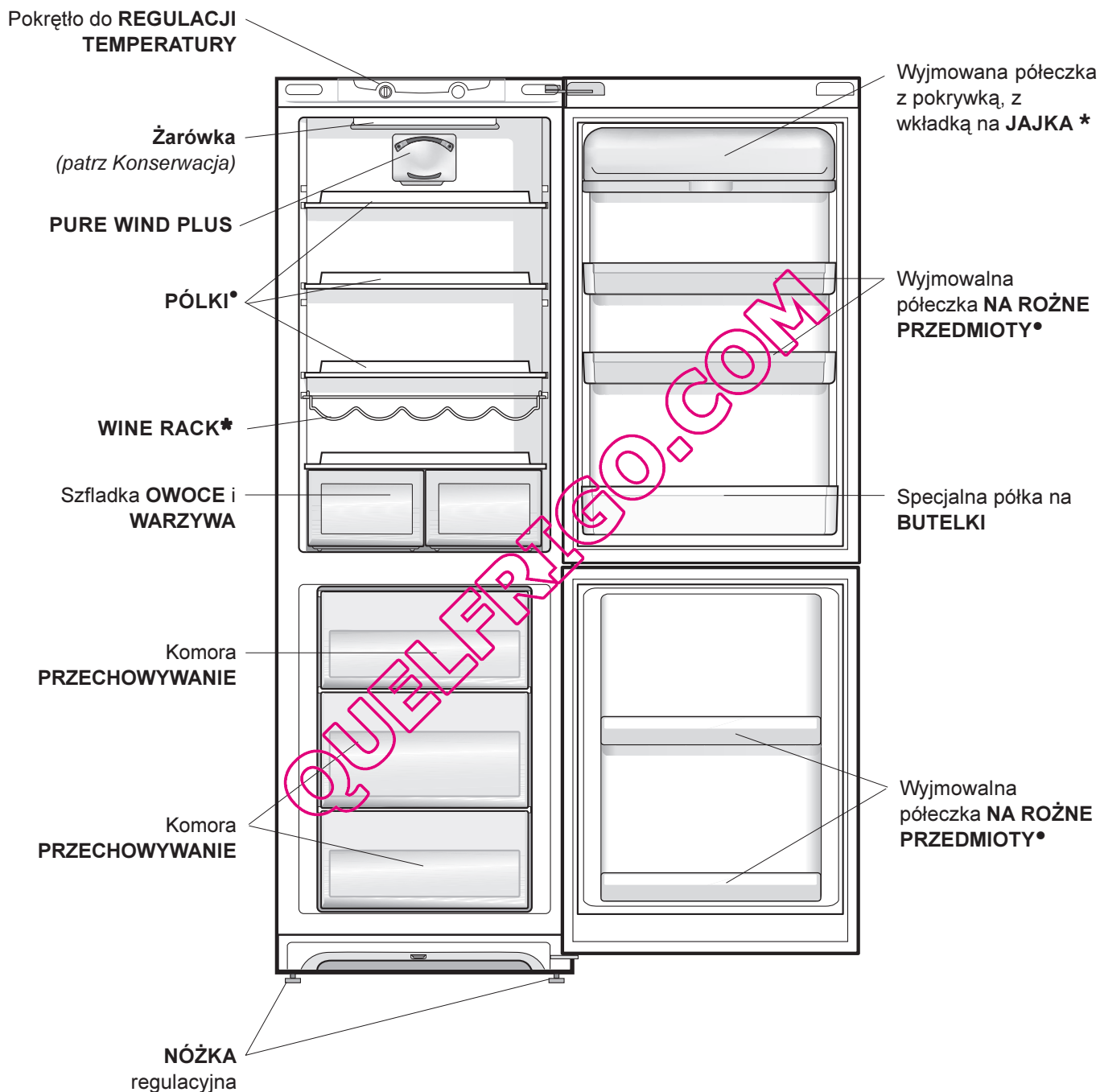
**! W przypadku braku przestrzegania powyższych warunków producent zwolniony zostanie z wszelkiej odpowiedzialności.**

## Zmiana kierunku otwierania drzwi



## Widok ogólny

PL



• Zmienna ilość i pozycja.

\* Znajduje się tylko w niektórych modelach.

# Uruchomienie i użytkowanie

PL

## Włączenie lodówko-zamrażarki

**! Przed włączeniem urządzenia, należy postąpić zgodnie z instrukcją instalowania (patrz Instalowanie).**

**! Przed podłączeniem urządzenia do sieci dokładnie wyczyścić jego wnęki i akcesoria letnią wodą i sodą oczyszczoną.**

1. Włożyć wtyczkę do gniazda i sprawdzić, czy zaświeci się lampka wewnątrz lodówki.
2. Przekręcić i ustawić pokrętło REGULACJA TEMPERATURY na pośredniej wartości. Dopiero po kilku godzinach można włożyć artykuły spożywcze do lodówki.

## Regulacja temperatury

Temperatura wewnątrz lodówki reguluje się automatycznie w zależności od pozycji pokrętła termostatu.

1 = mniej zimno MAX = bardziej zimno

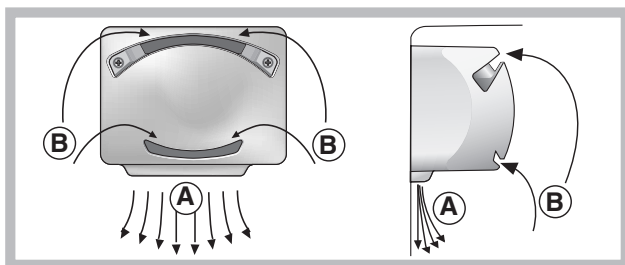
Zaleca się, w każdym razie, pozycję średnią.

W celu zwiększenia miejsca do dyspozycji i ze względu na lepszą estetykę, lodówko-zamrażarka ma "system chłodzący" umieszczony wewnątrz tylnej ściany lodówki. Ściana ta, w trakcie funkcjonowania, pokrywa się szronem lub spływają po niej krople wody w zależności od tego, czy kompresor pracuje, czy też znajduje się w stanie spoczynku. Nie przejmujcie się tym! Lodówko-zamrażarka pracuje normalnie.

## System chłodzenia

### PURE WIND PLUS

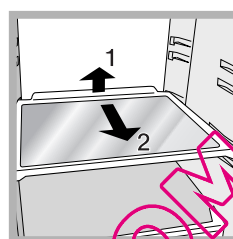
Można go rozpoznać poprzez obecność urządzenia w górnej części komory lodówki (patrz rysunek).



Pure Wind Plus maksymalnie optymalizuje cyrkulację powietrza, zwiększając skuteczność parownika i umożliwiając szybsze osiągnięcie właściwej temperatury wewnątrz lodówki po każdym jej otwarciu. Dmuchane powietrze (A) chłodzi się po zetknięciu z zimną ścianką, natomiast cieplejsze powietrze (B) jest zasysane (patrz rysunek).

Tylni aścianka pokryta jest białym szronem lub skroplinami wody zależnie od tego, czy kompresor pracuje czy nie.

Jeśli ustawi się pokrętło REGULACJA TEMPERATURY na wysokich wartościach, przy dużych ilościach artykułów spożywczych oraz z wysoką temperatura otoczenia urządzenie to będzie pracowało bez przerwy, będzie powodowało tworzenie się szronu i nadmierne zużycie energii elektrycznej; należy wtedy przestawić pokrętło na niższe wartości (wykonane zostanie automatyczne usuwanie oblodzenia).



**PÓŁKI:** pełne lub kratki.

Można je wyciągnąć, a prowadnice służą do wyregulowania wysokości ich umieszczenia (patrz rysunek) tak, aby umożliwić ustawienie na nich pojemników lub produktów żywnościowych

nawet o znacznych wymiarach. Aby wyregulować wysokość nie ma konieczności całkowitego wyjęcia półki.

Wskaźnik **TEMPERATURA:** w celu określenia najzimniejszej strefy lodówki.

1. Sprawdzić, czy na wskaźniku jest oznaczenie OK (patrz rysunek).



2. Jeśli na wskaźniku nie znajduje się napis OK to oznacza, że temperatura jest zbyt wysoka: przestawić pokrętło DZIAŁANIE LODÓWKI na wyższą pozycję (zimniej) i odczekać około 10 godzin na ustabilizowanie się temperatury.
3. Sprawdzić ponownie wskaźnik: Gdy jest to konieczne jeszcze raz przeprowadzić regulację. Jeśli włożone zostały jednocześnie duże ilości artykułów spożywczych, lub jeśli często otwiera się drzwi lodówki, to normalnym jest fakt, że wskaźnik nie pokaże OK. Odczekać co najmniej 10 godzin przed przystąpieniem do regulacji za pomocą pokrętła DZIAŁANIE LODÓWKI na wyższą pozycję.



## Najlepszy sposób wykorzystania lodówki

- Żeby ustawić temperaturę należy użyć pokrętko DZIAŁANIE LODÓWKI (patrz Opis).
- Wkładać artykuły spożywcze jedynie zimne lub letnie, ale nie ciepłe (*Zalecenia i środki ostrożności*).
- Pamiętać należy, że ugotowane artykuły spożywcze nie mogą być przechowywane dłużej od surowych.
- Nie przechowywać płynów w otwartych pojemnikach: zwiększałyby wilgotność z konsekwencją formowania się skroplin.

## Przechowywanie produktów spożywczych

1. Po zakupieniu produktów spożywczych należy usunąć z nich opakowanie zewnętrzne, najczęściej papierowe, kartonowe, albo też z innego materiału, które mogłoby doprowadzić do zanieczyszczenia komory lodówki bakteriami lub brudem.
2. Artykuły spożywcze, (szczególnie łatwo psujące się albo posiadające silny zapach) należy chronić unikając pomiędzy nimi kontaktu, eliminując w ten sposób możliwość skażenia przez zarazki lub bakterie, a także rozprzestrzeniania się specyficznych zapachów tych artykułów w lodówce.
3. Żywność powinna być tak rozłożona w lodówce, aby powietrze mogło krążyć pomiędzy nią bez przeszkód.
4. Wnętrze lodówki należy utrzymywać w czystości, zwracając uwagę, aby nie używać do czyszczenia środków żrących lub powodujących rysowanie powierzchni.
5. Należy usuwać z lodówki artykuły spożywcze, jeśli okres ich przydatności do spożycia upłynął.
6. W celu właściwego przechowywania żywności, potrawy łatwo psujące się (np. miękkie sery, surowe ryby, mięso itp.) powinno się umieszczać w najzimniejszej części lodówki, to znaczy nad pojemnikami na jarzyny, tam, gdzie znajduje się wskaźnik temperatury.

## Najlepszy sposób użytkowania zamrażarki

- Nie zamrażać ponownie artykułów spożywczych, które są całkowicie lub w części rozmrożone; takie artykuły należy ugotować lub zjeść (w przeciągu do 24 godzin).
  - Świeże artykuły, które mają być zamrożone, nie mogą stykać się z już zamrożonymi artykułami; należy je ułożyć na górnym poziomie przy ściankach (bocznych lub tylnych), gdzie temperatura jest niższa od  $-18^{\circ}\text{C}$  i zapewnia szybkie zamrażanie.
  - Nie wkładać do zamrażarki szklanych butelek z płynami zamkniętych hermetycznie lub korkiem ponieważ mogą popękać.
  - Maksymalna ilość artykułów spożywczych jakie mogą być zamrożone w danym dniu wskazana jest na tabliczce znamionowej, znajdującej się we wnętrzu lodówki u dołu po lewej stronie (przykład: kg/24godz 4).
  - W celu uzyskania większej przestrzeni w komorze zamrażarki można wyjąć szuflady z ich komór (za wyjątkiem najniższej oraz ewentualnie szuflady COOL CARE ZONE o temperaturze zmiennej), układając żywność bezpośrednio na płytach barwnika.
- ! Podczas fazy zamrażania nie otwierać drzwi.
- ! W przypadku przerwy w dopływie prądu lub w przypadku usterki, nie otwierać drzwi zamrażarki: w ten sposób w ciągu do 9-14 godzin artykuły zamrożone i mrożonki nie ulegną zniszczeniu.
- ! Jeśli przez dłuższy czas temperatura otoczenia jest niższa niż  $14^{\circ}\text{C}$ , zamrażarka może mieć trudności z osiągnięciem i utrzymaniem temperatur niezbędnych do przechowywania w niej pokarmów przez dłuższy czas. Z tego powodu okres przechowywania pokarmów w zamrażarce może być krótszy.

# Konserwacja i utrzymanie

PL

## Odłączenie prądu elektrycznego

Podczas czyszczenia i konserwacji należy odłączyć urządzenie od sieci elektrycznej poprzez wyciągnięcie wtyczki z gniazda:

Nie wystarczy ustawić pokrętko do regulacji temperatury na pozycji **OFF** (urządzenie wyłączone), aby wyeliminować każdy kontakt z energią elektryczną.

## Mycie urządzenia

- Części zewnętrzne, części wewnętrzne i gumowe uszczelki myć gąbką zmoczoną letnią wodą i sodą oczyszczaną lub neutralnym mydłem. Nie używać rozpuszczalników, środków żrących, wybielaczy lub amoniaku.
- Części, które można wyjąć, mogą być myte w ciepłej wodzie z mydłem lub płynem do mycia talerzy. Ostrożnie wypłukać i dokładnie wysuszyć.
- Tył urządzenia pokrywa się kurzem, który może być usunięty delikatnie odkurzaczem ustawionym na średnią moc, stosując do tego celu długi przewód giętki z końcówką w formie dziobu i po odłączeniu lodówko-zamrażarki od prądu.

## Unikanie pleśni i nieprzyjemnych zapachów

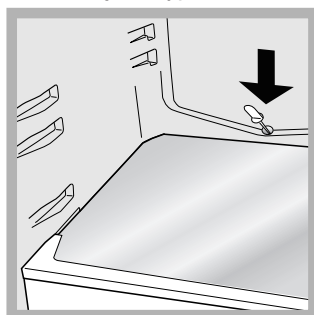
- Urządzenie zostało zbudowane z higienicznych surowców, które nie wytwarzają zapachów. Aby utrzymać tę właściwość, potrawy muszą być zawsze zabezpieczone i dobrze zamknięte. W ten sposób unika się także tworzenia plam.
- W przypadku, gdy urządzenie zostanie wyłączone na dłuższy czas należy go umyć, a drzwi pozostawić otwarte.

## Usuwanie oblodzenia w lodówko-zamrażarce

! Dostosować się do poniższych instrukcji.  
Do rozmrażania urządzenia nie używać ostrych im spiczastych przedmiotów, gdyż mogłyby one bezpowrotnie uszkodzić system chłodniczy.

### Usuwanie oblodzenia z lodówki

Lodówka jest wyposażona w funkcję automatycznego



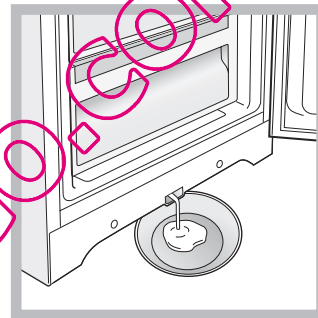
usuwania oblodzenia: woda odprowadzana jest za lodówkę za pomocą odpowiedniego otworu (patrz rysunek), gdzie ciepło wytworzone przez sprężarkę powoduje jej odparowanie. Jediną czynnością jaką należy wykonać co jakiś czas, to

wyczyszczenie otworu odpływowego tak, aby woda mogła swobodnie wyciekać.

### Usuwanie oblodzenia z zamrażarki

Jeśli warstwa oblodzenia jest grubsza od 5 mm należy usunąć oblodzenie z zamrażarki ręcznie:

1. Ustawić pokrętko REGULACJI TEMPERATURY na pozycję **OFF**.
2. Owinąć mrożonki i zamrożoną żywność w papier i odłożyć w chłodne miejsce.
3. Pozostawić otwarte drzwi aż do momentu, kiedy oblodzenie rozpuści się całkowicie; można ułatwić sobie pracę poprzez umieszczenie w zamrażarce pojemników z letnią wodą.
4. Przed włączeniem lodówko-zamrażki wyczyścić i wysuszyć dokładnie komorę zamrażarki.



5. Niektóre lodówko-zamrażarki wyposażone są w SYSTEM DRAIN do odprowadzenia wody na zewnątrz: aby woda ściekała do pojemnika. (patrz rysunek).

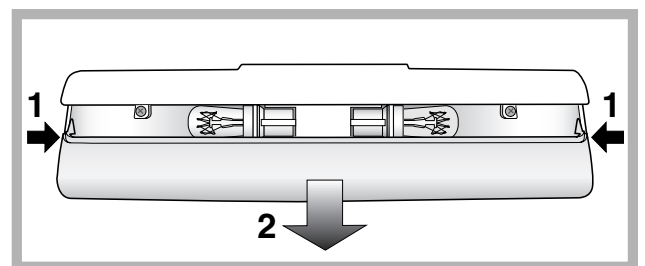
6. Przed włożeniem produktu żywnościowego do zamrażarki poczekać co najmniej 2 godziny do momentu przywrócenia optymalnych warunków przechowywania.

## Wymiana żarówki

Aby wymienić żarówkę lodówki, należy najpierw wyciągnąć wtyczkę z gniazdka prądu. Postępować zgodnie z instrukcjami podanymi poniżej.

Odmontować zabezpieczenie, aby dojść do żarówki i tak jak wskazano na rysunku.

Wymienić na żarówkę o mocy takiej, jaka jest wskazana na zabezpieczeniu (15 W lub 25 W).



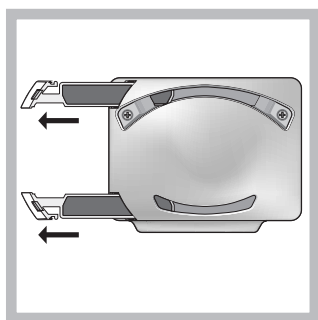
## PURE WIND PLUS

### Konserwacja filtrów

Zdjąć filtry znajdujące się po lewej stronie obudowy, wsuwając w szczeliny końcówkę małego płaskiego śrubokręta (patrz załączone rysunki).

Myć filtry okresowo (co 12-18 miesięcy) pod bieżącą wodą neutralnym środkiem czyszczącym w celu usunięcia ewentualnych osadów. Dokładnie wysuszyć filtry przed ich ponownym zamontowaniem.

Jeśli nie ma możliwości wyjęcia filtrów lub jeśli ich wyciągnięcie jest utrudnione należy się skontaktować z serwisem technicznym.




QUELFRIGO.COM

# Zalecenia i środki ostrożności

PL

! Urządzenie zostało zaprojektowane i wyprodukowane zgodnie z międzynarodowymi przepisami bezpieczeństwa. Mając na względzie Wasze bezpieczeństwo podajemy Wam poniższe zalecenia, które należy uważnie przeczytać.

 Niniejsze urządzenie zostało wyprodukowane zgodnie z następującymi przepisami EWG:  
- 73/23/CEE z dn. 19/02/73 (o Niskim Napięciu) wraz z kolejnymi zmianami;  
- 89/336/CEE z 03/05/89 (o Zgodności Elektromagnetycznej) wraz z kolejnymi zmianami;  
- 2002/96/CE.



## Ogólne zasady bezpieczeństwa

- Niniejsze urządzenie przeznaczone jest do zastosowań domowych oraz nieprofesjonalnych.
- Urządzenie jest przeznaczone do przechowywania i zamrażania żywności, może być obsługiwane jedynie przez osoby dorosłe oraz według instrukcji podanych w niniejszej książeczce.
- Nie należy instalować urządzenia poza domem, nawet jeśli miejsce to jest chronione daszkiem, gdyż wystawienie urządzenia na działanie deszczu i burz jest bardzo niebezpieczne.
- Nie dotykać urządzenia, stojąc przy nim boso lub mając ręce czy stopy mokre lub wilgotne.
- Nie dotykać wewnętrznych części chłodzących: istnieje możliwość poparzenia lub zranienia.
- Nie wyjmować wtyczki z gniazdka, ciągnąc za kabel, lecz trzymając za wtyczkę.
- Przed przystąpieniem do operacji czyszczenia lub konserwacji wyjąć wtyczkę z gniazdka. Nie wystarczy ustawić pokrętkę do REGULACJI TEMPERATURY na pozycję **OFF** (urządzenie wyłączone), aby wyeliminować każdy kontakt z energią elektryczną.
- W razie usterek nie należy w żadnym wypadku próbować dostać się do wewnętrznych części urządzenia, próbując samemu je naprawiać.
- Nie używać w sektorach lodówki/zamrażarki przeznaczonych do przechowywania zamrożonej żywności, ostrych i spiczastych narzędzi oraz urządzeń elektrycznych, które nie są dozwolone przez producenta.
- Nie wkładać do jamy ustnej kubków lodowych dopiero co wyjętych z zamrażarki.
- Nie wolno dzieciom bawić się urządzeniem. W żadnym wypadku nie wolno im siadać na szufladkach lub wieszać się drzwi.
- Części opakowania nie nadają się do zabawy dla dzieci!

## Usuwanie odpadów

- Pozbycie się materiałów opakowania: stosować się do lokalnych przepisów; w ten sposób opakowanie będzie mogło zostać ponownie wykorzystane.
- Europejska Dyrektywa 2002/96/EC dotycząca Zużytych Elektrycznych i Elektronicznych Urządzeń (WEEE) zakłada zakaz pozbywania się starych urządzeń domowego użytku jako nieposortowanych śmieci komunalnych. Zużyte urządzenia muszą być osobno zbierane i sortowane w celu zoptymalizowania odzyskania oraz ponownego przetworzenia pewnych komponentów i materiałów. Pozwala to ograniczyć zanieczyszczenie środowiska i pozytywnie wpływa na ludzkie zdrowie. Przekreślony symbol „kosza” umieszczony na produkcie przypomina klientowi o obowiązku specjalnego sortowania. Konsumenci powinni kontaktować się z władzami lokalnymi lub sprzedawcą w celu uzyskania informacji dotyczących postępowania z ich zużytymi urządzeniami gospodarstwa domowego.

## Oszczędność i ochrona środowiska

- Zainstalować urządzenie w pomieszczeniu chłodnym i przewiewnym, zabezpieczyć przed bezpośrednim wpływem promieni słonecznych daleko od źródeł ciepła.
- Podczas wkładania lub wyjmowania produktów drzwi otwierać na jak najkrótszy okres czasu. Każde otwarcie drzwi powoduje znaczną stratę energii.
- Nie wkładać do lodówki-zamrażarki zbyt dużo żywności: dla dobrej konserwacji zimne powietrze musi krążyć bez przeszkód. Jeśli cyrkulacja zostanie utrudniona lub uniemożliwiona, to sprężarka będzie pracować w ciągłym rytmie.
- Nie wkładać ciepłej żywności: podniosłaby się temperatura wewnętrzna, zmuszając sprężarkę do wysiłonej pracy i z dużą stratą energii elektrycznej.
- Usunąć oblodzenie z lodówki (*patrz Konserwacja*); duża warstwa lodu utrudnia dojście zimna do artykułów spożywczych i zwiększa zużycie energii.
- Uszczelki mają być zawsze czyste i w dobrym stanie i takie, aby dokładnie przylegały do drzwi i aby hamowały ucieczkę zimna (*patrz Konserwacja*).

W przypadku, gdy lodówka-zamrażarka nie będzie funkcjonowała. Przed wezwaniem Serwisu Technicznego (I>patrz Serwis) sprawdzić, czy nie można rozwiązać problemu samemu i według poniższych wskazówek.

## Nieprawidłowości w działaniu:      **Możliwe przyczyny/Porady:**

**Lampka wewnątrz urządzenia nie zapala się.**

- Wtyczka nie jest wsadzona do gniazdka z prądem, albo jest włożona niewystarczająco, tak, że niema styku, albo w sieci domowej nie ma prądu.

**Lodówka i zamrażarka słabo chłodzą.**

- Drzwi nie zamykają się prawidłowo lub uszczelki są zniszczone.
- Drzwi za często są otwierane.
- Pokrętko do REGULACJI TEMPERATURY nie jest ustawione na prawidłowej pozycji;
- Lodówka lub zamrażarka są przepełnione.
- Temperatura środowiskowa obróbki produktu jest niższa od 14°C.

**Potrawy w lodówce zamrażają się.**

- Pokrętko do REGULACJI TEMPERATURY nie jest ustawione na prawidłowej pozycji;
- Żywność styka się z tylną ścianką.

**Wntylator PURE WIND PLUS nie obraca się.**

- System PURE WIND PLUS włącza się automatycznie tylko, kiedy wymagane jest przywrócenie optymalnych warunków wewnątrz lodówki.

**Silnik pracuje bez przerwy.**

- Drzwi nie są prawidłowo zamknięte lub są ciągle otwierane.
- Zbyt wysoka temperatura pomieszczenia.
- Grubość szronu przekracza 2-3 mm. (patrz *Konserwacja*).

**Urządzenie pracuje bardzo głośno.**

- Urządzenie nie zostało zainstalowane w poziomie (brak wy poziomowania) (patrz *Instalowanie*).
- Urządzenie zostało zainstalowane pomiędzy meblami lub przedmiotami, które drgają i wytwarzają hałas.
- Gaz chłodzący, znajdujący się wewnątrz powoduje lekki hałas również, kiedy sprężarka nie pracuje: to nie usterka lecz stan normalny.

**Temperatura niektórych części zewnętrznych lodówki jest wysoka**

- Wysoka temperatura zapobiega tworzenia się skroplin w w szczególnych strefach produktu.

**Na tylnej ściance komory lodówki tworzy się szron lub skroliny wody**

- Jest to normalne funkcjonowanie systemu.

**Na dnie lodówki zbiera się woda.**

- Otwór do ujścia wody jest zatkany (patrz *Konserwacja*).


**Przed zwróceniem się do Serwisu Technicznego:**

- Sprawdzić, czy anomalia może być usunięta samodzielnie (I> patrz Anomalie i ich usuwanie).
- Jeśli, pomimo wszystkich kontroli, urządzenie nie działa, a usterka nie została wykryta i dalej występuje, wezwać najbliższy serwis Techniczny.

**Należy podać:**

- rodzaj anomalii
- model urządzenia (Mod.);
- numer seryjny (S/N);

Te dane znajdują się na tabliczce znamionowej w lodówce, po lewej stronie w dolnej jej części.

model				numer seryjny			
Mod. RG 2330	TI	Cod. 93139180000	S/N 704211801				
240 V-	Hz	150 W	W	Fuse	A	Max 15	
Total	340	75			Freez.	Capac	Class
Gross Bruto Brut		Gross Bruto Brut	Net Util Utile	Gross Bruto Brut	Poder de Cong	kg/24 h	4,0
Compr. Syst.	R 134 a	Test Pressure HIGH-235	P.S-1. LOW 140				
Made in Italy 13918							

Zwracajcie się wyłącznie do upoważnionego Serwisu Technicznego i domagajcie się zainstalowania tylko i wyłącznie oryginalnych części zamiennych:

QUELFRIGO.COM