



user manual  
notice d'utilisation  
istruzioni per l'uso  
manual de instruções

QUELFRIGO.COM

Fridge-Freezer  
Réfrigérateur-congélateur  
Frigo-Congelatore  
Combinado

ERA36433W

## Electrolux. Thinking of you.

Share more of our thinking at [www.electrolux.com](http://www.electrolux.com)

## CONTENTS

Safety information	2	Care and cleaning	8
Operation	4	What to do if...	9
First use	4	Technical data	11
Daily use	4	Installation	11
Helpful hints and tips	6	Environmental concerns	14

Subject to change without notice



## SAFETY INFORMATION

In the interest of your safety and to ensure the correct use, before installing and first using the appliance, read this user manual carefully, including its hints and warnings. To avoid unnecessary mistakes and accidents, it is important to ensure that all people using the appliance are thoroughly familiar with its operation and safety features. Save these instructions and make sure that they remain with the appliance if it is moved or sold, so that everyone using it through its life will be properly informed on appliance use and safety.

For the safety of life and property keep the precautions of these user's instructions as the manufacturer is not responsible for damages caused by omission.

**Children and vulnerable people safety**

- This appliance is not intended for use by persons (including children) with reduced physical, sensory or mental capabilities, or lack of experience and knowledge, unless they have been given supervision or instruction concerning use of the appliance by a person responsible for their safety. Children should be supervised to ensure that they do not play with the appliance.
- Keep all packaging well away from children. There is risk of suffocation.
- If you are discarding the appliance pull the plug out of the socket, cut the connection cable (as close to the appliance as you can) and remove the door to prevent playing children to suffer electric shock or to close themselves into it.
- If this appliance featuring magnetic door seals is to replace an older appliance having a spring lock (latch) on the door or

lid, be sure to make that spring lock unusable before you discard the old appliance. This will prevent it from becoming a death trap for a child.

**General safety**

 **Caution!** Keep ventilation openings clear of obstruction.

- The appliance is intended for keeping foodstuff and/or beverages in a normal household as explained in this instruction booklet.
- Do not use a mechanical device or any artificial means to speed up the thawing process.
- Do not use other electrical appliances (such as ice cream makers) inside of refrigerating appliances, unless they are approved for this purpose by the manufacturer.
- Do not damage the refrigerant circuit.
- The refrigerant isobutane (R600a) is contained within the refrigerant circuit of the appliance, a natural gas with a high level of environmental compatibility, which is nevertheless flammable. During transportation and installation of the appliance, be certain that none of the components of the refrigerant circuit become damaged. If the refrigerant circuit should become damaged:
  - avoid open flames and sources of ignition
  - thoroughly ventilate the room in which the appliance is situated
- It is dangerous to alter the specifications or modify this product in any way. Any

damage to the cord may cause a short-circuit, fire and/or electric shock.

**Warning!** Any electrical component (power cord, plug, compressor) must be replaced by a certified service agent or qualified service personnel to avoid hazard.

1. Power cord must not be lengthened.
  2. Make sure that the power plug is not squashed or damaged by the back of the appliance. A squashed or damaged power plug may overheat and cause a fire.
  3. Make sure that you can come to the mains plug of the appliance.
  4. Do not pull the mains cable.
  5. If the power plug socket is loose, do not insert the power plug. There is a risk of electric shock or fire.
  6. You must not operate the appliance without the lamp cover<sup>1)</sup> of interior lighting.
- This appliance is heavy. Care should be taken when moving it.
  - Do not remove nor touch items from the freezer compartment if your hands are damp/wet, as this could cause skin abrasions or frost/freezer burns.
  - Avoid prolonged exposure of the appliance to direct sunlight.
  - Bulb lamps<sup>2)</sup> used in this appliance are special purpose lamps selected for household appliances use only. They are not suitable for household room illumination.

### Daily Use

- Do not put hot pot on the plastic parts in the appliance.
- Do not store flammable gas and liquid in the appliance, because they may explode.
- Do not place food products directly against the air outlet on the rear wall.<sup>3)</sup>
- Frozen food must not be re-frozen once it has been thawed out.
- Store pre-packed frozen food in accordance with the frozen food manufacturer's instructions.

1) If the lamp cover is foreseen.

2) If the lamp is foreseen.

3) If the appliance is Frost Free.

- Appliance's manufacturers storage recommendations should be strictly adhered to. Refer to relevant instructions.
- Do not place carbonated or fizzy drinks in the freezer compartment as it creates pressure on the container, which may cause it to explode, resulting in damage to the appliance.
- Ice lollies can cause frost burns if consumed straight from the appliance.

### Care and cleaning

- Before maintenance, switch off the appliance and disconnect the mains plug from the mains socket.
- Do not clean the appliance with metal objects.
- Do not use sharp objects to remove frost from the appliance. Use a plastic scraper.
- Regularly examine the drain in the refrigerator for defrosted water. If necessary, clean the drain. If the drain is blocked, water will collect in the bottom of the appliance.

### Installation

**Important!** For electrical connection carefully follow the instructions given in specific paragraphs.


- Unpack the appliance and check if there are damages on it. Do not connect the appliance if it is damaged. Report possible damages immediately to the place you bought it. In that case retain packing.
- It is advisable to wait at least four hours before connecting the appliance to allow the oil to flow back in the compressor.
- Adequate air circulation should be around the appliance, lacking this leads to overheating. To achieve sufficient ventilation follow the instructions relevant to installation.
- Wherever possible the back of the product should be against a wall to avoid touching or catching warm parts (compressor, condenser) to prevent possible burn.
- The appliance must not be located close to radiators or cookers.


- Make sure that the mains plug is accessible after the installation of the appliance.
- Connect to potable water supply only. <sup>4)</sup>

### Service

- Any electrical work required to do the servicing of the appliance should be carried out by a qualified electrician or competent person.
- This product must be serviced by an authorized Service Centre, and only genuine spare parts must be used.

### Environment Protection

 This appliance does not contain gasses which could damage the ozone layer,

in either its refrigerant circuit or insulation materials. The appliance shall not be discarded together with the urban refuse and rubbish. The insulation foam contains flammable gases: the appliance shall be disposed according to the applicable regulations to obtain from your local authorities. Avoid damaging the cooling unit, especially at the rear near the heat exchanger. The materials used on this appliance marked by the symbol  are recyclable.

## OPERATION

### Switching on

Insert the plug into the wall socket. Turn the Temperature regulator clockwise to a medium setting.

### Switching off

To turn off the appliance, turn the Temperature regulator to the "O" position.

### Temperature regulation

The temperature is automatically regulated. To operate the appliance, proceed as follows:

- turn the Temperature regulator toward lower settings to obtain the minimum coldness.
- turn the Temperature regulator toward higher settings to obtain the maximum coldness.

 A medium setting is generally the most suitable.

However, the exact setting should be chosen keeping in mind that the temperature inside the appliance depends on:

- room temperature
- how often the door is opened
- the quantity of food stored
- the location of the appliance.

**Important!** If the ambient temperature is high or the appliance is fully loaded, and the appliance is set to the lowest temperatures, it may run continuously causing frost to form on the rear wall. In this case the dial must be set to a higher temperature to allow automatic defrosting and therefore reduced energy consumption.

## FIRST USE

### Cleaning the interior

Before using the appliance for the first time, wash the interior and all internal accessories with lukewarm water and some neutral soap so as to remove the typical smell of a brand-new product, then dry thoroughly.

**Important!** Do not use detergents or abrasive powders, as these will damage the finish.

## DAILY USE

### Freezing fresh food

The freezer compartment is suitable for freezing fresh food and storing frozen and deep-frozen food for a long time.

To freeze fresh foods it is not necessary to change the medium setting. However, for a faster freezing operation, turn the temperature regulator toward high-

4) If a water connection is foreseen.

er settings to obtain the maximum coldness.

**Important!** In this condition, the refrigerator compartment temperature might drop below 0°C. If this occurs reset the temperature regulator to a warmer setting.

Place the fresh food to be frozen on the top compartment.

### Storage of frozen food

When first starting-up or after a period out of use, before putting the products in the compartment let the appliance run at least 2 hours on the higher settings.

**Important!** In the event of accidental defrosting, for example due to a power failure, if the power has been off for longer than the value shown in the technical characteristics chart under "rising time", the defrosted food must be consumed quickly or cooked immediately and then re-frozen (after cooling).

### Thawing

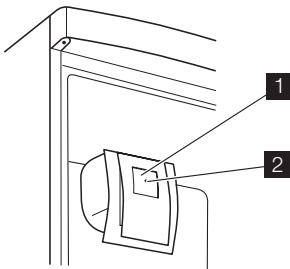
Deep-frozen or frozen food, prior to being used, can be thawed in the refrigerator compartment or at room temperature, depending on the time available for this operation.

Small pieces may even be cooked still frozen, directly from the freezer. In this case, cooking will take longer.

### Air cooling

The Dynamic Air Cooling (DAC) fan let food cool quickly and a more uniform temperature in the compartment.

You can switch on the fan by pressing the switch (1). The green light (2) comes on.

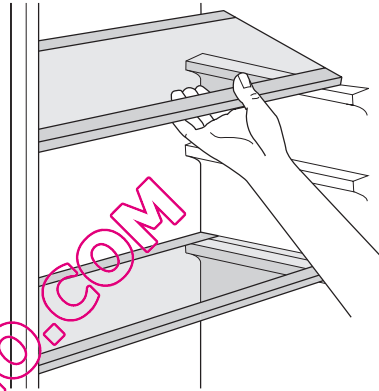


This device allows for rapid cooling of foods and a more uniform temperature in the compartment.

**Important!** Switch on the fan when the ambient temperature exceeds 25°C.

### Movable shelves

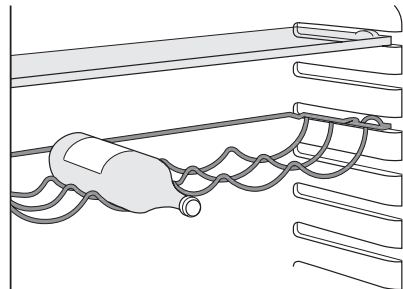
The walls of the refrigerator are equipped with a series of runners so that the shelves can be positioned as desired.



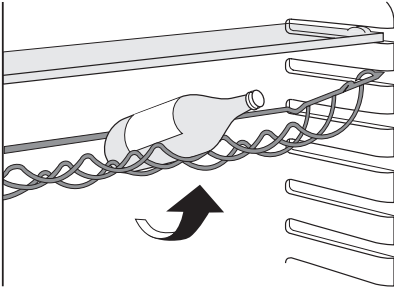
### Bottle rack

Place the bottles (with the opening facing front) in the pre-positioned shelf.

**Important!** If the shelf is positioned horizontally, place only closed bottles.

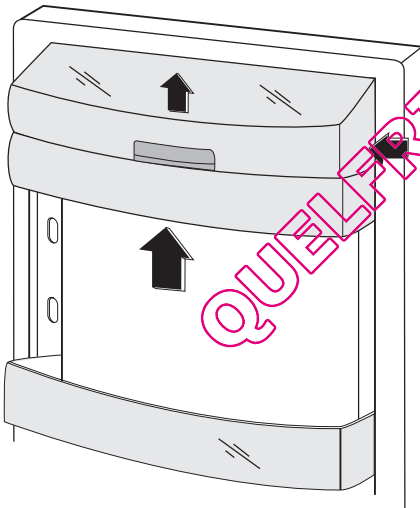


This bottle holder shelf can be tilted in order to store previously opened bottles. To obtain this result, pull the shelf up so it can rotate upwards and be placed on the next higher level.



**Positioning the door shelves**

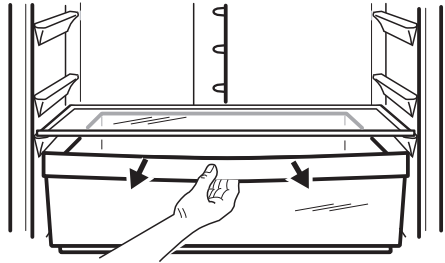
To permit storage of food packages of various sizes, the door shelves can be placed at different heights. To make these adjustments proceed as follows: gradually pull the shelf in the direction of the arrows until it comes free, then reposition as required.



**FreshZone drawer**

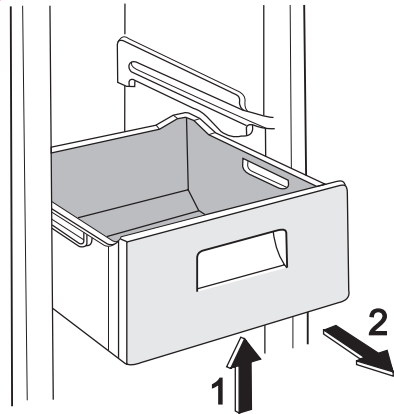
The FreshZone drawer is suitable for storing fresh food like fish, meat, seafood, because

the temperature is lower here than in the rest of the fridge.



**Removal of freezing baskets from the freezer**

The freezing baskets have a limit stop to prevent their accidental removal or falling out. At the time of its removal from the freezer, pull the basket towards yourself and, upon reaching the end point, remove the basket by tilting its front upwards. At the time of putting it back, slightly lift the front of the basket to insert it into the freezer. Once you are over the end points, push the baskets back in their position.



**HELPFUL HINTS AND TIPS**

**Normal Operating Sounds**

- You may hear a faint gurgling and a bubbling sound when the refrigerant is pumped

through the coils or tubing. This is correct.

- When the compressor is on, the refrigerant is being pumped around and you will hear a whirring sound and a pulsating

noise from the compressor. This is correct.

- The thermic dilatation might cause a sudden cracking noise. It is natural, not dangerous physical phenomenon. This is correct.
- When the compressor switches on or switches off, you will hear a faint "click" of the temperature regulator. This is correct.

### Hints for energy saving

- Do not open the door frequently or leave it open longer than absolutely necessary.
- If the ambient temperature is high and the Temperature Regulator is set to low temperature and the appliance is fully loaded, the compressor may run continuously, causing frost or ice on the evaporator. If this happens, set the Temperature Regulator toward warmer settings to allow automatic defrosting and so a saving in electricity consumption.

### Hints for fresh food refrigeration

To obtain the best performance:

- do not store warm food or evaporating liquids in the refrigerator
- do cover or wrap the food, particularly if it has a strong flavour
- position food so that air can circulate freely around it

### Hints for refrigeration

Useful hints:

Meat (all types) : wrap in polythene bags and place on the glass shelf above the vegetable drawer.

For safety, store in this way only one or two days at the most.

Cooked foods, cold dishes, etc.: these should be covered and may be placed on any shelf.

Fruit and vegetables: these should be thoroughly cleaned and placed in the special drawer(s) provided.

Butter and cheese: these should be placed in special airtight containers or wrapped in aluminium foil or polythene bags to exclude as much air as possible.

Milk bottles: these should have a cap and should be stored in the bottle rack on the door.

Bananas, potatoes, onions and garlic, if not packed, must not be kept in the refrigerator.

### Hints for freezing

To help you make the most of the freezing process, here are some important hints:

- the maximum quantity of food which can be frozen in 24 hrs. is shown on the rating plate;
- the freezing process takes 24 hours. No further food to be frozen should be added during this period;
- only freeze top quality, fresh and thoroughly cleaned, foodstuffs;
- prepare food in small portions to enable it to be rapidly and completely frozen and to make it possible subsequently to thaw only the quantity required;
- wrap up the food in aluminium foil or polythene and make sure that the packages are airtight;
- do not allow fresh, unfrozen food to touch food which is already frozen, thus avoiding a rise in temperature of the latter;
- lean foods store better and longer than fatty ones; salt reduces the storage life of food;
- water ices, if consumed immediately after removal from the freezer compartment, can possibly cause the skin to be freeze burnt;
- it is advisable to show the freezing in date on each individual pack to enable you to keep tab of the storage time.

### Hints for storage of frozen food

To obtain the best performance from this appliance, you should:

- make sure that the commercially frozen foodstuffs were adequately stored by the retailer;
- be sure that frozen foodstuffs are transferred from the foodstore to the freezer in the shortest possible time;
- not open the door frequently or leave it open longer than absolutely necessary.
- Once defrosted, food deteriorates rapidly and cannot be refrozen.
- Do not exceed the storage period indicated by the food manufacturer.

## CARE AND CLEANING

**⚠ Caution!** Unplug the appliance before carrying out any maintenance operation.

**🌿** This appliance contains hydrocarbons in its cooling unit; maintenance and recharging must therefore only be carried out by authorized technicians.

### Periodic cleaning

The equipment has to be cleaned regularly:

- clean the inside and accessories with lukewarm water and some neutral soap.
- regularly check the door seals and wipe clean to ensure they are clean and free from debris.
- rinse and dry thoroughly.

**Important!** Do not pull, move or damage any pipes and/or cables inside the cabinet. Never use detergents, abrasive powders, highly perfumed cleaning products or wax polishes to clean the interior as this will damage the surface and leave a strong odour.

Clean the condenser (black grill) and the compressor at the back of the appliance with a brush or a vacuum cleaner. This operation will improve the performance of the appliance and save electricity consumption.

**Important!** Take care of not to damage the cooling system.

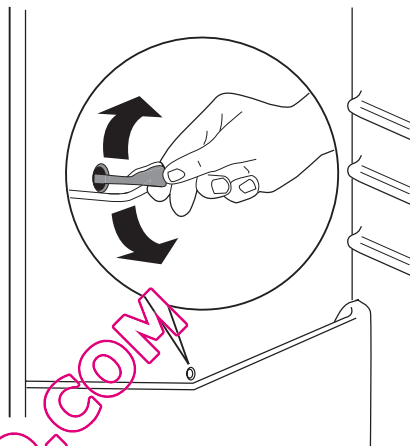
Many proprietary kitchen surface cleaners contain chemicals that can attack/damage the plastics used in this appliance. For this reason it is recommended that the outer casing of this appliance is only cleaned with warm water with a little washing-up liquid added.

After cleaning, reconnect the equipment to the mains supply.

### Defrosting of the refrigerator

Frost is automatically eliminated from the evaporator of the refrigerator compartment every time the motor compressor stops, during normal use. The defrost water drains out through a trough into a special container at the back of the appliance, over the motor compressor, where it evaporates. It is important to periodically clean the defrost water drain hole in the middle of the

refrigerator compartment channel to prevent the water overflowing and dripping on to the food inside. Use the special cleaner provided, which you will find already inserted into the drain hole.



### Defrosting the freezer

A certain amount of frost will always form on the freezer shelves and around the top compartment.

Defrost the freezer when the frost layer reaches a thickness of about 3-5 mm.

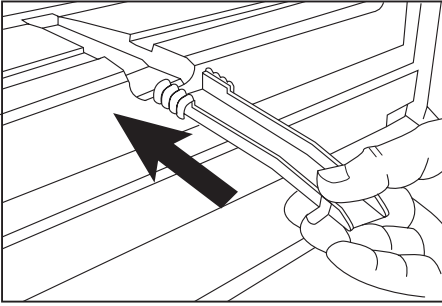
To remove the frost, follow the instructions below:

- pull out the plug from the wall socket or switch off the appliance
- remove any stored food, wrap it in several layers of newspaper and put it in a cool place
- remove the freezer drawers
- put insulating material around the drawers, e.g. blankets or newspapers.

Defrosting can be accelerated by placing bowls with hot water (not boiling) inside the freezer.

- Loosen the drainage channel from its resting position, push it in according to the illustration and place it in the bottom freezer drawer where water can collect
- carefully scrape off the ice when it starts to thaw. Use a wood or a plastic scraper
- when all the ice has melted, clean and wipe the cabinet dry, then put the drainage channel back in place.





- switch on the cabinet and replace the frozen foodstuff.

**It is recommended to operate the appliance at the highest position of the thermostatic control for some hours so that it can reach the sufficient storing temperature as soon as possible.**

**Important!** Never use sharp metal tools to scrape off frost from the evaporator as you could damage it. Do not use a mechanical device or any artificial means to speed up the thawing process other than those recommended by the manufacturer. A temperature rise of the frozen food packs, during defrosting, may shorten their safe storage life.

## WHAT TO DO IF...

**!** **Caution!** Before troubleshooting, disconnect the power supply. Only a qualified electrician or competent person must do the troubleshooting that is not in this manual.

**Important!** There are some sounds during normal use (compressor, refrigerant circulation).

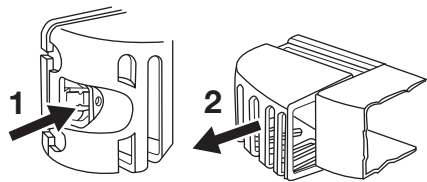
Problem	Possible cause	Solution
<b>The appliance is noisy.</b>	The appliance is not supported properly.	Check if the appliance stands stable (all the four feet should be on the floor).
<b>The compressor operates continually.</b>	The Temperature regulator may be set incorrectly.	Set a warmer temperature.
	The door is not closed correctly.	Refer to "Closing the door".
	The door has been opened too frequently.	Do not keep the door open longer than necessary.
	The product temperature is too high.	Let the product temperature decrease to room temperature before storage.
	The room temperature is too high.	Decrease the room temperature.
<b>Water flows on the rear plate of the refrigerator.</b>	During the automatic defrosting process, frost defrosts on the rear plate.	This is correct.
<b>Water flows into the refrigerator.</b>	The water outlet is clogged.	Clean the water outlet.
	Products prevent that water flows into the water collector.	Make sure that products do not touch the rear plate.
<b>Water flows on the ground.</b>	The melting water outlet does not flow in the evaporative tray above the compressor.	Attach the melting water outlet to the evaporative tray.
<b>There is too much frost and ice.</b>	Products are not wrapped properly.	Wrap the products better.
	The door is not closed correctly.	Refer to "Closing the door".

Problem	Possible cause	Solution
	The Temperature regulator may be set incorrectly.	Set a higher temperature.
<b>The temperature in the appliance is too low.</b>	The Temperature regulator may be set incorrectly.	Set a higher temperature.
<b>The temperature in the appliance is too high.</b>	The Temperature regulator may be set incorrectly.	Set a lower temperature.
	The door is not closed correctly.	Refer to "Closing the door".
	The product temperature is too high.	Let the product temperature decrease to room temperature before storage.
	Many products are stored at the same time.	Store less products at the same time.
<b>The temperature in the refrigeration is too high.</b>	There is no cold air circulation in the appliance.	Make sure that there is cold air circulation in the appliance.
<b>The temperature in the freezer is too high.</b>	Products are too near to each other.	Store products so that there is cold air circulation.
<b>The appliance does not operate.</b>	The appliance is switched off.	Switch on the appliance.
	The mains plug is not connected to the mains socket correctly.	Connect the mains plug to the mains socket correctly.
	The appliance has no power. There is no voltage in the mains socket.	Connect a different electrical appliance to the mains socket. Contact a qualified electrician.
<b>The lamp does not work.</b>	The lamp is in stand-by.	Close and open the door.
	The lamp is defective.	Refer to "Replacing the lamp".

If your appliance is still not working properly after making the above checks, contact the After Sales Centre.

### Replacing the lamp

1. Disconnect the appliance.
2. Push the movable part to unhook the lamp cover (1).
3. Remove the lamp cover (2).
4. Replace the lamp with one of the same power and specifically designed for domestic appliances only.
5. Install the lamp cover.
6. Connect the appliance.
7. Open the door. Make sure that the lamp comes on.



### Closing the door

1. Clean the door gaskets.
2. If necessary, adjust the door. Refer to "Installation".
3. If necessary, replace the defective door gaskets. Contact the Service Center.

## TECHNICAL DATA

Dimension		
	Height	1850 mm
	Width	595 mm
	Depth	658 mm
Rising Time		20 h
Voltage		230 V
Frequency		50 Hz

The technical information are situated in the rating plate on the internal left side of the appliance and in the energy label.

## INSTALLATION

**!** Read the "Safety Information" carefully for your safety and correct operation of the appliance before installing the appliance.

mains power supply; the plug must therefore be easily accessible after installation.

### Positioning

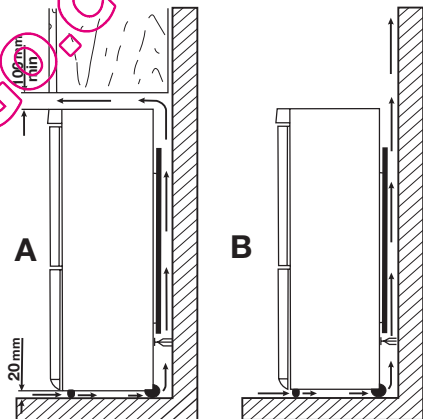
Install this appliance at a location where the ambient temperature corresponds to the climate class indicated on the rating plate of the appliance:

Climate class	Ambient temperature
SN	+10°C to + 32°C
N	+16°C to + 32°C
ST	+16°C to + 38°C
T	+16°C to - 43°C

### Location

The appliance should be installed well away from sources of heat such as radiators, boilers, direct sunlight etc. Ensure that air can circulate freely around the back of the cabinet. To ensure best performance, if the appliance is positioned below an overhanging wall unit, the minimum distance between the top of the cabinet and the wall unit must be at least 100 mm. Ideally, however, the appliance should not be positioned below overhanging wall units. Accurate levelling is ensured by one or more adjustable feet at the base of the cabinet.

**!** **Warning!** It must be possible to disconnect the appliance from the



### Electrical connection

Before plugging in, ensure that the voltage and frequency shown on the rating plate correspond to your domestic power supply. The appliance must be earthed. The power supply cable plug is provided with a contact for this purpose. If the domestic power supply socket is not earthed, connect the appliance to a separate earth in compliance with current regulations, consulting a qualified electrician.

The manufacturer declines all responsibility if the above safety precautions are not observed.

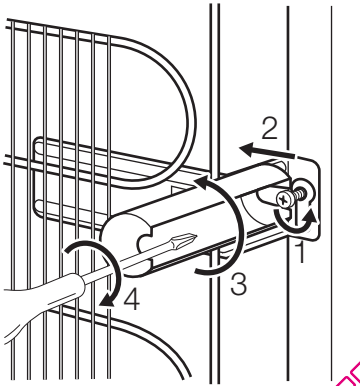
This appliance complies with the E.E.C. Directives.

### Rear spacers

You can find the two spacers in the bag with documentation.

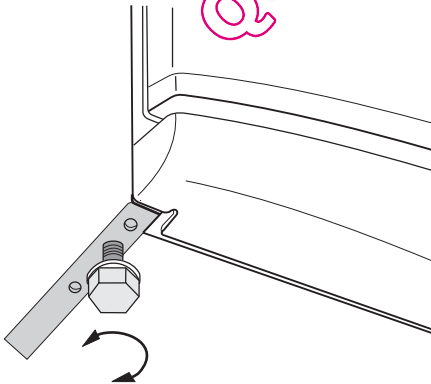
Do these steps to install the spacers:

1. Release the screw.
2. Engage the spacer below the screw.
3. Turn the spacer to the right position.
4. Tighten again the screws.



### Levelling

When placing the appliance ensure that it stands level. This can be achieved by two adjustable feet at the bottom in front.

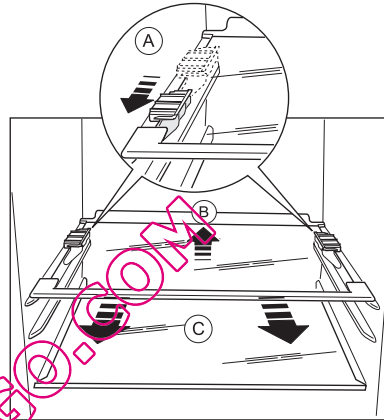


### Removing the shelf holders

Your appliance is equipped with shelf retainers that make it possible to secure the shelves during transportation.

To remove them proceed as follows:

1. Move the shelf holders in the direction of the arrow (A).
2. Raise the shelf from the rear and push it forward until it is freed (B).
3. Remove the retainers (C).



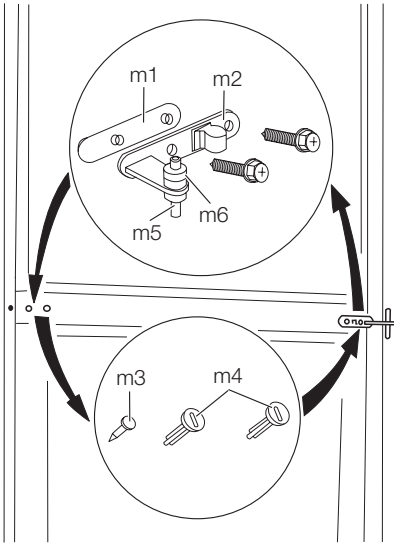
### Door reversibility

**Warning!** Before carrying out any operations, remove the plug from the power socket.

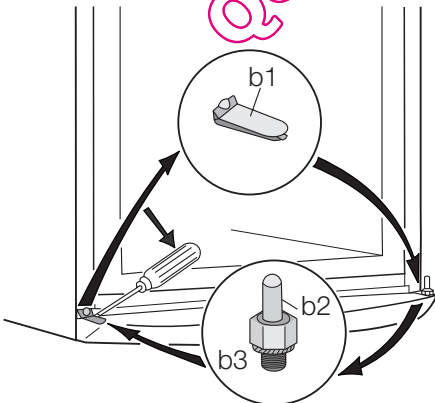
**Important!** To carry out the following operations, we suggest that this be made with another person that will keep a firm hold on the doors of the appliance during the operations.

To change the opening direction of the door, do these steps:

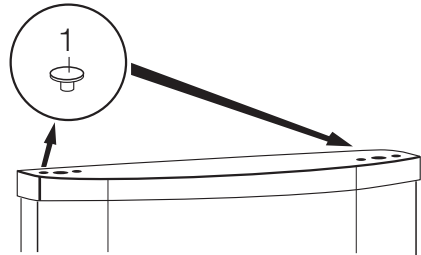
1. Open the doors. Unscrew the middle hinge (m2). Remove the plastic spacer (m1).



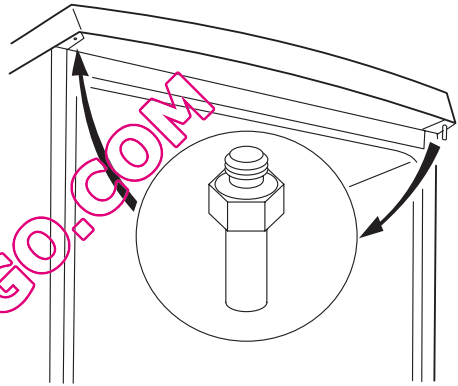
2. Remove the doors.
3. Remove the spacer (m6) and move to the other side of the hinge pivot (m5).
4. Remove using a tool the cover (b1). Unscrew the lower hinge pivot (b2) and the spacer (b3) and place them on the opposite side.
5. Re-insert the cover (b1) on the opposite side.



6. Remove the stoppers (1) and move to the other side of the doors.



7. Unscrew the upper hinge pivot (t1) and screw it on the opposite side.




8. Remove the left-hand cover pin of the middle hinge (m3,m4) and move to the other side.
  9. Fit the pin of the middle hinge (m5) into the left-hand hole of the lower door.
  10. Re-insert the lower door on the lower hinge pivot (b2).
  11. Fit the upper door on the upper hinge pivot (t1).
  12. Re-insert the upper door on the middle hinge pivot (m5) slightly tilting both doors.
  13. Re-screw the middle hinge (m2). Do not forget the plastic spacer (m1) inserted under the middle hinge. Make sure that the edges of the doors run parallel to the side edge of the appliance.
  14. Reposition, level the appliance, wait for at least four hours and then connect it to the power socket.
- Do a final check to make sure that:
- All screws are tightened.

- The magnetic seal adheres to the cabinet.
  - The door opens and closes correctly.
- If the ambient temperature is cold (i.e. in Winter), the gasket may not fit perfectly to the cabinet. In that case, wait for the natural fitting of the gasket.

In case you do not want to carry out the above mentioned operations, contact the nearest After Sales Service Force. The After Sales Service specialist will carry out the reversibility of the doors at your cost.

## ENVIRONMENTAL CONCERNS

---

The symbol  on the product or on its packaging indicates that this product may not be treated as household waste. Instead it should be taken to the appropriate collection point for the recycling of electrical and electronic equipment. By ensuring this product is disposed of correctly, you will help prevent potential negative

consequences for the environment and human health, which could otherwise be caused by inappropriate waste handling of this product. For more detailed information about recycling of this product, please contact your local council, your household waste disposal service or the shop where you purchased the product.

QUELFRIGO.COM

## Electrolux. Thinking of you.

Partagez notre imagination sur [www.electrolux.com](http://www.electrolux.com)

## SOMMAIRE

Consignes de sécurité	15	En cas d'anomalie de fonctionnement	25
Fonctionnement	19	Caractéristiques techniques	27
Première utilisation	19	En cas d'anomalie de fonctionnement	27
Utilisation quotidienne	20	En matière de sauvegarde de l'environnement	31
Conseils utiles	22		
Entretien et nettoyage	24		

Sous réserve de modifications



## CONSIGNES DE SÉCURITÉ

Pour votre sécurité et garantir une utilisation correcte de l'appareil, lisez attentivement cette notice, y compris les conseils et avertissements, avant d'installer et d'utiliser l'appareil pour la première fois. Pour éviter toute erreur ou accident, veillez à ce que toute personne qui utilise l'appareil connaisse bien son fonctionnement et ses fonctions de sécurité. Conservez cette notice avec l'appareil. Si l'appareil doit être vendu ou cédé à une autre personne, veillez à remettre cette notice au nouveau propriétaire, afin qu'il puisse se familiariser avec son fonctionnement et sa sécurité. Pour la sécurité des personnes et des biens, conservez et respectez les consignes de sécurité figurant dans cette notice. Le fabricant décline toute responsabilité en cas de dommages dus au non-respect de ces instructions.

Lors de sa fabrication, cet appareil a été construit selon des normes, directives et/ou décrets pour une utilisation sur le territoire français.

**Pour la sécurité des biens et des personnes ainsi que pour le respect de l'environnement, vous devez d'abord lire attentivement les préconisations suivantes avant toute utilisation de votre appareil.**



**Attention** Pour éviter tout risque de détérioration de l'appareil, transportez-le dans sa position d'utilisation muni de ses cales de transport (selon le modèle). Au déballage de celui-ci, et pour empêcher des risques d'asphyxie

et corporel, tenez les matériaux d'emballage hors de portée des enfants.



**Attention** Pour éviter tout risque (mobilier, immobilier, corporel,...), l'installation, les raccordements (eau, gaz, électricité, évacuation selon modèle), la mise en service et la maintenance de votre appareil doivent être effectuées par un professionnel qualifié.



**Attention** Votre appareil a été conçu pour être utilisé par des adultes. Il est destiné à un usage domestique normal. Ne l'utilisez pas à des fins commerciales ou industrielles ou pour d'autres buts que ceux pour lesquels il a été conçu. Vous éviterez ainsi des risques matériel et corporel.



**Attention** Débranchez l'appareil avant toute opération de nettoyage manuel. N'utilisez que des produits du commerce non corrosifs ou non inflammables. Toute projection d'eau ou de vapeur est proscrite pour écarter le risque d'électrocution.



**Attention** Si votre appareil est équipé d'un éclairage, débranchez l'appareil avant de procéder au changement de l'ampoule (ou du néon, etc.) pour éviter de s'électrocuter.

**⚠ Attention** Afin d'empêcher des risques d'explosion ou d'incendie, ne placez pas de produits inflammables ou d'éléments imbibés de produits inflammables à l'intérieur, à proximité ou sur l'appareil.

**⚠ Attention** Lors de la mise au rebut de votre appareil, et pour écarter tout risque corporel, mettez hors d'usage ce qui pourrait présenter un danger : coupez le câble d'alimentation au ras de l'appareil. Informez-vous auprès des services de votre commune des endroits autorisés pour la mise au rebut de l'appareil.

**⚠ Attention** Respectez la chaîne de froid dès l'acquisition d'un aliment jusqu'à sa consommation pour exclure le risque d'intoxication alimentaire.  
**Veillez maintenant lire attentivement cette notice pour une utilisation optimale de votre appareil.**

### Sécurité des enfants et des personnes vulnérables

- Cet appareil n'est pas destiné à être utilisé par des enfants ou des personnes dont les capacités physiques, sensorielles ou mentales, ou le manque d'expérience et de connaissance les empêchent d'utiliser l'appareil sans risque lorsqu'ils sont sans surveillance ou en l'absence d'instruction d'une personne responsable qui puisse leur assurer une utilisation de l'appareil sans danger. Empêchez les enfants de jouer avec l'appareil.
- Ne laissez pas les différents emballages à portée des enfants. Ils pourraient s'asphyxier.
- Si l'appareil doit être mis au rebut, veillez à couper le câble d'alimentation électrique au ras de l'appareil pour éviter les risques d'électrocution. Démontez la porte pour éviter que des enfants ne restent enfermés à l'intérieur.
- Cet appareil est muni de fermetures magnétiques. S'il remplace un appareil équipé d'une fermeture à ressort, nous vous conseillons de rendre celle-ci inutilisable avant de vous en débarrasser. Ceci afin d'éviter aux enfants de s'enfermer dans

l'appareil et de mettre ainsi leur vie en danger.

### Mesures générales de sécurité

**⚠ Attention** Veillez à ce que les orifices de ventilation ne soient pas obstrués.

- Cet appareil est destiné uniquement à la conservation d'aliments et/ou de boissons dans le cadre d'un usage domestique normal, tel que celui décrit dans la présente notice.
  - N'utilisez pas d'appareils électriques, d'agents chimiques ou tout autre système artificiel pour accélérer le processus de dégivrage.
  - N'utilisez pas d'autres appareils électriques (par exemple, sorbetières) à l'intérieur d'appareils réfrigérants sauf s'ils sont homologues pour cet usage par leur fabricant.
  - Faites très attention lorsque vous déplacez l'appareil afin de ne pas endommager des parties du circuit de refroidissement et ainsi d'éviter des risques de fuite.
  - Le circuit de refroidissement de l'appareil contient de l'isobutane (R600a), un gaz naturel offrant un haut niveau de compatibilité avec l'environnement mais qui est néanmoins inflammable. Pendant le transport et l'installation de l'appareil, assurez-vous qu'aucune pièce du circuit de refroidissement n'est endommagée.
- Si tel est le cas :
- Évitez les flammes vives (briquet) et tout autre allumage (étincelles).
  - Aérez soigneusement la pièce où se trouve l'appareil.
- Ne modifiez pas les spécifications de l'appareil. Un cordon d'alimentation endommagé peut être la cause de courts-circuits, d'incendies et/ou de décharges électriques.

**⚠ Avertissement** Les éventuelles réparations ou interventions sur votre appareil, ainsi que le remplacement du câble d'alimentation, ne doivent être effectuées que par un professionnel qualifié.

1. L'appareil ne doit pas être raccordé à l'aide d'un prolongateur, d'une prise multiple ou d'un raccordement multiple (risque d'incendie).



2. Assurez-vous que la prise n'est pas écrasée ou endommagée par l'arrière de l'appareil. Une prise de courant endommagée peut surchauffer et provoquer un incendie.
  3. Vérifiez que la prise murale reste accessible une fois que l'installation est terminée.
  4. Ne débranchez pas l'appareil en tirant sur le câble, particulièrement lorsque l'appareil est tiré de son logement.
  5. Si la fiche du cordon d'alimentation est desserrée, ne la branchez pas dans la prise murale. Risque d'électrocution ou d'incendie !
  6. N'utilisez pas l'appareil si le diffuseur de l'ampoule d'éclairage n'est pas présent<sup>5)</sup> pour l'éclairage intérieur.
- Cet appareil est lourd. Faites attention en le déplaçant.
  - Ne touchez pas avec les mains humides les surfaces givrées et les produits congelés (risque de brûlure et d'arrachement de la peau).
  - Évitez une exposition prolongée de l'appareil aux rayons solaires.
  - Ampoules<sup>6)</sup> utilisées dans cet appareil sont des ampoules spéciales dédiées uniquement à un usage avec des appareils ménagers. Elles ne conviennent pas à l'éclairage des pièces d'une habitation.

### Utilisation quotidienne

- Ne posez pas d'éléments chauds sur les parties en plastique de l'appareil.
- Ne stockez pas de gaz ou de liquides inflammables dans l'appareil (risque d'explosion).
- Ne placez pas d'aliments directement contre la sortie d'air sur la paroi arrière de l'appareil.<sup>7)</sup>
- Un produit décongelé ne doit jamais être recongelé.
- Conservez les aliments emballés conformément aux instructions de leur fabricant.
- Respectez scrupuleusement les conseils de conservation donnés par le fabricant

de l'appareil. Consultez les instructions respectives.

- Ne mettez pas de bouteilles ni de boîtes de boissons gazeuses dans le compartiment congélateur, car la pression se formant à l'intérieur du contenant pourrait le faire éclater et endommager ainsi l'appareil.
- Ne consommez pas certains produits tels que les bâtonnets glacés dès leur sortie de l'appareil, car ils peuvent provoquer des brûlures.

### Stockage des denrées dans les réfrigérateurs et règles d'hygiène

La consommation croissante de plats préparés et d'autres aliments fragiles, sensibles en particulier au non-respect de la chaîne de froid<sup>8)</sup> rend nécessaire une meilleure maîtrise de la température de transport et de stockage de ces produits. A la maison, le bon usage du réfrigérateur et le respect de règles d'hygiène rigoureuses contribuent de façon significative et efficace à l'amélioration de la conservation des aliments.

### Conservation des aliments / Maîtrise des températures

Stockez les aliments selon leur nature dans la zone appropriée:

- **Zone tempérée:**Boissons, œufs, beurre, sauces industrielles et préparées, fromages à pâtes cuites, fruits et légumes frais.
- **Zone fraîche:**Produits laitiers, desserts lactés, matières grasses, fromages frais.
- **Zone la plus froide:** Viandes, volailles, poissons, charcuteries, plats préparés, salades composées, préparations et pâtisseries à base d'œufs ou de crème, pâtes fraîches, pâte à tarte, pizza / quiches, produits frais et fromages au lait cru, légumes prêts à l'emploi vendus sous sachet plastique et plus généralement, tout produit frais dont la date limite de consommation (DLC) est associée à une température de conservation inférieure ou égale à +4°C.

L'observation des conseils suivants est de nature à éviter la contamination croisée et à

5) Si le diffuseur est prévu.

6) Si l'ampoule est prévue.

7) Si l'appareil est sans givre.

8) Chaîne de froid: maintien sans rupture de la température requise d'un produit, depuis sa préparation et son conditionnement jusqu'à son utilisation par le consommateur

prévenir une mauvaise conservation des aliments:

- Emballer systématiquement les produits pour éviter que les denrées ne se contaminent mutuellement.
- Se laver les mains avant de toucher les aliments et plusieurs fois pendant la préparation du repas si celle-ci implique des manipulations successives de produits différents, et après, bien sûr, au moment de passer à table comme les règles d'hygiène l'imposent.
- Ne pas réutiliser des ustensiles ayant déjà servi (cuillère en bois, planche à découper sans les avoir bien nettoyés au préalable).
- Attendre le refroidissement complet des préparations avant de les stocker (exemple : soupe).
- Limiter le nombre d'ouvertures de la porte et, en tout état de cause, ne pas la laisser ouverte trop longtemps pour éviter une remontée en température du réfrigérateur.
- Disposer les aliments de telle sorte que l'air puisse circuler librement tout autour.

Il convient de vérifier régulièrement que la température, notamment celle de la zone la plus froide, est correcte et le cas échéant, d'ajuster le dispositif de réglage de température en conséquence comme indiqué (page Utilisation)

**Mesure de la température** La mesure de la température dans une zone (sur une clayette, par exemple) peut se faire au moyen d'un thermomètre placé, dès le départ, dans un récipient rempli d'eau (verre). Pour avoir une représentation fidèle de la réalité, lisez la température sans manipulation des commandes ni ouverture de porte.

### Respect des règles d'hygiène

- Nettoyez fréquemment l'intérieur du réfrigérateur en utilisant un produit d'entretien doux sans effet oxydant sur les parties métalliques, puis rincer avec de l'eau additionnée de jus de citron, de vinaigre blanc ou avec tout produit désinfectant adapté au réfrigérateur.
- Retirez les suremballages du commerce avant de placer les aliments dans le réfrigérateur (par exemple suremballages des packs de yaourts).
- Couvrez les aliments.

- Consultez la notice d'utilisation de l'appareil en toutes circonstances et en particulier pour les conseils d'entretien.

### Entretien et nettoyage

- Avant toute opération d'entretien, mettez l'appareil hors tension et débranchez-le de la prise de courant.
- N'utilisez pas d'objets métalliques pour nettoyer l'appareil.
- N'utilisez pas d'objet tranchant pour gratter la couche de givre. Utilisez une spatule en plastique.
- Contrôlez régulièrement l'orifice d'évacuation de l'eau de dégivrage dans le compartiment réfrigérateur. Nettoyez-le, si besoin. Si l'orifice est bouché, l'eau s'écoulera en bas de l'appareil.

### Installation

**Important** Avant de procéder au branchement électrique, respectez scrupuleusement les instructions fournies dans cette notice.

- Déballez l'appareil et vérifiez qu'il n'est pas endommagé. Ne branchez pas l'appareil s'il est endommagé. Signalez immédiatement au revendeur de l'appareil les dommages constatés. Dans ce cas, gardez l'emballage.
- Il est conseillé d'attendre au moins quatre heures avant de brancher l'appareil pour que le circuit frigorifique soit stabilisé.
- Veillez à ce que l'air circule librement autour de l'appareil pour éviter qu'il ne surchauffe. Pour assurer une ventilation suffisante, respectez les instructions de la notice (chapitre Installation).
- Placez l'appareil dos au mur pour éviter tout contact avec le compresseur et le condenseur (risque de brûlure).
- Placez de préférence votre appareil loin d'une source de chaleur (chauffage, cuisson ou rayons solaires trop intenses).
- Assurez-vous que la prise murale reste accessible après l'installation de l'appareil.
- Branchez à l'alimentation en eau potable uniquement. <sup>9)</sup>

### Maintenance

- Les branchements électriques nécessaires à l'entretien de l'appareil doivent être

9) Si un branchement sur le réseau d'eau est prévu.

réalisés par un électricien ou par une personne qualifiée.

- Cet appareil ne doit être entretenu et réparé que par votre service après vente, exclusivement avec des pièces d'origine.



### Protection de l'environnement



Le système frigorifique et l'isolation de votre appareil ne contiennent pas de

C.F.C. contribuant ainsi à préserver l'environnement. L'appareil ne doit pas être mis au rebut avec les ordures ménagères et les déchets urbains. La mousse d'isolation contient des gaz inflammables : l'appareil sera mis au rebut conformément aux règlements applicables disponibles auprès des autorités locales. Veillez à ne pas détériorer les circuits frigorifiques, notamment au niveau du condenseur. Les matériaux utilisés dans cet appareil identifiés par le symbole ♻️ sont recyclables.

## FONCTIONNEMENT

### Mise en fonctionnement

Branchez l'appareil sur une prise murale. Tournez le bouton du thermostat dans le sens des aiguilles d'une montre sur une position moyenne.

### Mise à l'arrêt

Pour mettre à l'arrêt l'appareil, tournez le bouton du thermostat sur la position "0".

### Réglage de la température

La température est réglée automatiquement.

Pour faire fonctionner l'appareil, procédez comme suit :

- tournez le bouton du thermostat vers le bas pour obtenir un réglage de froid minimum.
- tournez le bouton du thermostat vers le haut pour obtenir un réglage de froid maximum.



Une position moyenne est la plus indiquée.

Toutefois, le réglage doit être choisi en tenant compte du fait que la température à l'intérieur de l'appareil dépend de plusieurs facteurs :

- la température ambiante
- la fréquence d'ouverture de la porte
- la quantité de denrées stockées
- l'emplacement de l'appareil.

**Important** Si le thermostat est réglé sur la position de froid maximum, lorsque la température ambiante est élevée et que l'appareil est plein, il est possible que le compresseur fonctionne en régime continu. Dans ce cas, il y a un risque de formation excessive de givre sur la paroi postérieure à l'intérieur de l'appareil. Pour éviter cet inconvénient, placez le thermostat sur une température plus élevée de façon à permettre un dégivrage automatique et, par conséquent, des économies de courant.

## PREMIÈRE UTILISATION

### Nettoyage intérieur

Avant d'utiliser l'appareil pour la première fois, nettoyez l'intérieur et tous les accessoires internes avec de l'eau tiède savonneuse pour supprimer l'odeur caractéristique du "neuf" puis séchez soigneusement.

**Important** N'utilisez pas de produits abrasifs, poudre à récurer, éponge métallique pour ne pas abîmer la finition.

## UTILISATION QUOTIDIENNE

### Indicateur de température

Pour vous aider au bon réglage de votre appareil nous avons équipé votre réfrigérateur d'un indicateur de température, celui-ci étant placé dans la zone la plus froide.

#### La zone la plus froide du compartiment réfrigérateur se situe au niveau de la clayette inférieure en verre.

Le symbole ci-contre indique l'emplacement de la zone la plus froide de votre réfrigérateur.

L'espace situé directement au dessus de la clayette en verre du bac à légumes est la zone la plus froide du compartiment réfrigérateur comme indiqué par la clayette ou l'autocollant sur la paroi de votre appareil. Pour la bonne conservation des denrées dans votre réfrigérateur et notamment dans la zone la plus froide, veillez à ce que dans l'indicateur de température "OK" apparaisse.

Si "OK" n'apparaît pas, la température moyenne de la zone est trop élevée. Réglez le dispositif de réglage de température sur une position inférieure. L'indication "OK" apparaissant en noir, celui-ci est difficilement visible si l'indicateur de température est mal éclairé. La bonne lecture de celui-ci est facilitée s'il est correctement éclairé.

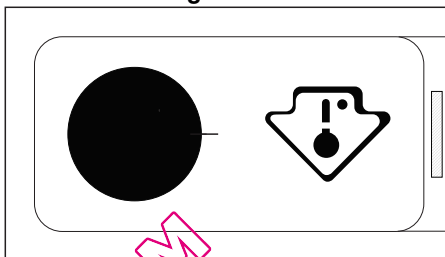
A chaque modification du dispositif de réglage de température, attendez la stabilisation de la température à l'intérieur de l'appareil avant de procéder si nécessaire, à un nouveau réglage. Ne modifiez la position du dispositif de réglage de température que progressivement et attendez au moins 12 heures avant de procéder à une nouvelle vérification et à une éventuelle modification.

**Important** Après chargement de l'appareil de denrées fraîches ou après ouvertures répétées (ou ouverture prolongée) de la porte, il est normal que l'inscription "OK" n'apparaisse pas dans l'indicateur de température ; attendez au moins 12 heures avant de réajuster le dispositif de réglage de température.

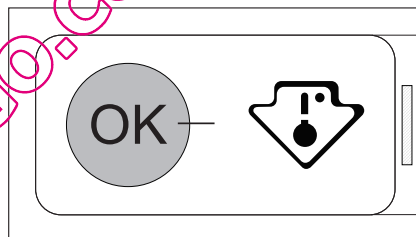
Si l'évaporateur du compartiment réfrigérateur (paroi du fond de l'appareil) se couvre anormalement de givre (appareil trop chargé, température ambiante élevée, thermostat sur une position élevée, ouvertures fré-

quentes de la porte), ramenez progressivement la manette du thermostat sur une position inférieure, jusqu'à obtenir de nouveau des périodes d'arrêt du compresseur. En effet, le dégivrage automatique de compartiment réfrigérateur ne s'effectue que si le compresseur s'arrête par intermittence.

### Thermostat à régler



### Température correcte



### Congélation d'aliments frais

Le compartiment congélateur est idéal pour congeler des denrées fraîches et conserver les aliments surgelés ou congelés pendant longtemps.

Pour congeler les denrées fraîches, il n'est pas nécessaire de modifier le réglage moyen.

Toutefois, pour une congélation plus rapide, tournez le bouton du thermostat vers le haut pour obtenir un réglage de froid maximum.

**Important** Dans ce cas, la température du compartiment réfrigérateur peut chuter au-dessous de 0°C. Si cela se produit, repositionnez le bouton du thermostat sur un réglage plus chaud.

Placez les denrées fraîches à congeler dans le compartiment supérieur.

### Conservation des aliments congelés

À la mise en service ou après un arrêt prolongé, placez le thermostat sur la position Max pendant 2 heures environ, avant d'introduire les produits dans le compartiment.

**Important** En cas de dégivrage accidentel, dû par exemple à une panne de courant, si la panne doit se prolonger plus longtemps qu'il n'est indiqué à la rubrique "temps d'augmentation" dans la section Caractéristiques techniques, consommez les aliments décongelés le plus rapidement possible ou recongelez-les après les avoir cuits (une fois refroidis).

### La décongélation

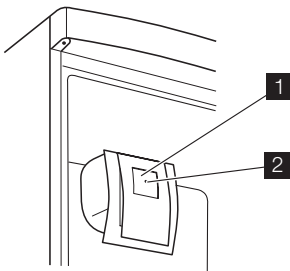
Les aliments surgelés ou congelés peuvent être décongelés dans le compartiment réfrigérateur ou à température ambiante, avant d'être utilisés, en fonction du temps disponible pour cette opération.

Les petites pièces peuvent même être cuites sans décongélation préalable : dans ce cas, la cuisson est plus longue.

### Brassage de l'air

Ce modèle est pourvu d'un dispositif qui brasse l'air uniformément. Cette technologie a pour effet d'uniformiser la température à l'intérieur du réfrigérateur plus rapidement pour atteindre une température plus basse tout en maintenant un taux d'humidité constant.

Pour actionner le brassage de l'air, appuyez sur l'interrupteur (1). Le voyant vert (2) s'allume.

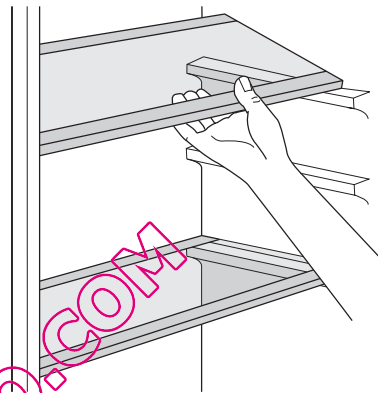


Ce système permet le refroidissement rapide des aliments et une température plus homogène dans le compartiment.

**Important** Activez le ventilateur lorsque la température ambiante est supérieure à 25 °C.

### Clayettes amovibles

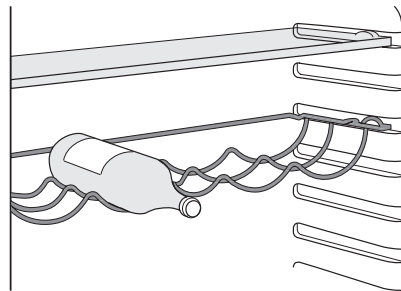
Les parois du réfrigérateur sont équipées d'une série de glissières pour que les clayettes puissent être placées en fonction des besoins.



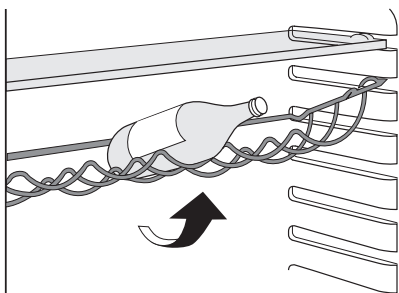
### Porte-bouteilles

Placez les bouteilles (ouverture vers l'avant) dans le compartiment prévu à cet effet.

**Important** Si le compartiment est positionné dans le sens horizontal, n'y placer que des bouteilles fermées.



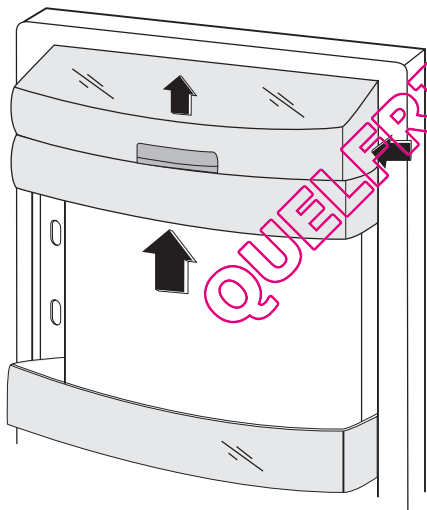
Ce porte-bouteilles peut être incliné afin de pouvoir y ranger des bouteilles déjà ouvertes. Pour ce faire, tirez le compartiment vers le haut afin qu'il puisse tourner vers le haut et être placé sur le niveau supérieur.



### Emplacement des balconnets de la porte

En fonction de la taille des paquets d'aliments conservés, les balconnets de la porte peuvent être positionnés à différentes hauteurs.

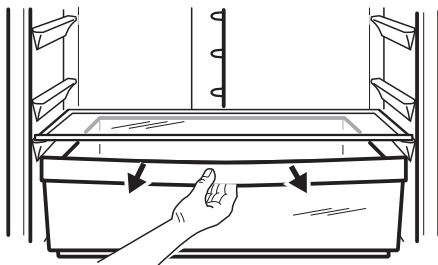
Pour les ajuster, procédez comme suit : tirez progressivement dans le sens des flèches pour les dégager, puis repositionnez-les selon les besoins.



### Tiroir FreshZone

Le tiroir FreshZone est adapté à la conservation des denrées fraîches et hautement

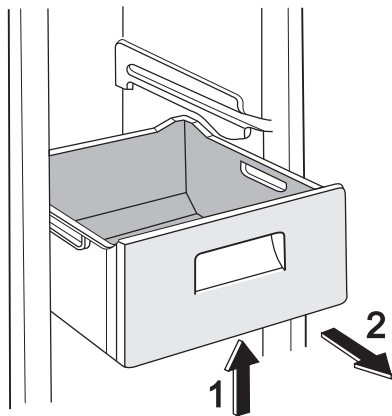
périssables (poissons, viandes), car la température y est inférieure à celle des autres zones du réfrigérateur.



### Retrait des paniers de congélation du congélateur

Les paniers de congélation sont équipés d'un arrêt afin d'empêcher leur retrait accidentel ou chute. Pour retirer le panier du congélateur, tirez-le vers vous et en atteignant l'arrêt, retirez-le en inclinant la partie avant vers le haut.

Pour le remettre, relevez légèrement l'avant du panier et insérez-le dans le congélateur. Une fois que vous avez dépassé les butées d'arrêt, poussez les paniers dans la bonne position.



## CONSEILS UTILES

### Bruits de fonctionnement normaux

- Le liquide de refroidissement qui passe dans le circuit d'évaporation peut produi-

re un bruit de gargouillis ou de bouillonnement. Ce phénomène est normal.

- Le compresseur peut produire un ronronnement aigu ou un bruit de pulsation. Ce phénomène est normal.
- La dilatation thermique peut provoquer un soudain, léger bruit de craquement. C'est un phénomène normal et sans gravité. Ce phénomène est normal.
- Un léger claquement se produit lors de la mise en fonctionnement/à l'arrêt du compresseur. Ce phénomène est normal.

### Conseils pour l'économie d'énergie

- N'ouvrez pas la porte trop souvent ou plus longtemps que nécessaire.
- Si la température ambiante est élevée, le dispositif de réglage de température est sur la position de froid maximum et l'appareil est plein : il est possible que le compresseur fonctionne en régime continu, d'où un risque de formation excessive de givre sur l'évaporateur. Pour éviter ceci, modifiez la position du dispositif de réglage de température de façon à obtenir des périodes d'arrêt du compresseur et ainsi permettre un dégivrage automatique, d'où des économies d'énergie.

### Conseils pour la réfrigération de denrées fraîches

Pour obtenir les meilleures performances possibles :

- N'introduisez pas d'aliments encore chauds ou de liquides en évaporation dans le réfrigérateur.
- Couvrez ou enveloppez soigneusement les aliments, surtout s'ils sont aromatisés.
- Placez les aliments pour que l'air puisse circuler librement autour.

### Conseils pour la réfrigération

Conseils utiles :

Viande (tous les types) : enveloppez-la dans des sachets en plastique et placez-la sur la tablette en verre au-dessus du bac à légumes.

La période de conservation est de 1 à 2 jours au maximum.

Aliments cuits, plats froids, etc. : placez-les bien couverts sur une clayette.

Fruits et légumes : placez-les une fois nettoyés dans le(s) bac(s) à légumes fourni(s).

Beurre et fromage : placez-les dans des récipients étanches spéciaux ou enveloppez-

les soigneusement dans des feuilles d'aluminium ou de polyéthylène, pour emmagasiner le moins d'air possible.

Lait en bouteille : bouchez-le et placez-le dans le balconnet de la contreporte réservé aux bouteilles.

Bananes, pommes de terre, oignons et ail ne se conservent pas au réfrigérateur, s'ils ne sont pas correctement emballés.

### Conseils pour la congélation

Pour obtenir les meilleurs résultats, voici quelques conseils importants :

- la quantité maximale de denrées que vous pouvez congeler par 24 heures est indiquée sur la plaque signalétique.
- le temps de congélation est de 24 heures. Aucune autre denrée à congeler ne doit être ajoutée pendant cette période.
- congélez seulement les denrées alimentaires fraîches, de qualité supérieure (une fois nettoyées).
- préparez la nourriture en petits paquets pour une congélation rapide et uniforme, adaptés à l'importance de la consommation.
- enveloppez les aliments dans des feuilles d'aluminium ou de polyéthylène et assurez-vous que les emballages sont étanches ;
- ne laissez pas des aliments frais, non congelés, toucher des aliments déjà congelés pour éviter une remontée en température de ces derniers.
- les aliments maigres se conservent mieux et plus longtemps que les aliments gras ; le sel réduit la durée de conservation des aliments
- la température très basse à laquelle se trouvent les bâtonnets glacés, s'ils sont consommés dès leur sortie du compartiment congélateur, peut provoquer des brûlures.
- L'identification des emballages est importante : indiquez la date de congélation du produit, et respectez la durée de conservation indiquée par le fabricant.

### Conseils pour la conservation des produits surgelés et congelés du commerce

Pour une bonne conservation des produits surgelés et congelés, vous devez :



- vous assurer qu'ils ont bien été conservés au magasin ;
- prévoir un temps réduit au minimum pour leur transport du magasin d'alimentation à votre domicile ;
- éviter d'ouvrir trop souvent la porte du congélateur et ne la laisser ouverte que le temps nécessaire.

- une fois décongelés, les aliments se décongelent rapidement et ne peuvent pas être recongelés.
- respecter la durée de conservation indiquée par le fabricant.

## ENTRETIEN ET NETTOYAGE

**⚠ Attention** débrancher l'appareil avant toute opération d'entretien.

**🍃** Cet appareil contient des hydrocarbures dans son circuit réfrigérant : l'entretien et la recharge ne doivent donc être effectués que par du personnel autorisé.

### Nettoyage périodique

Cet appareil doit être nettoyé régulièrement :

- Nettoyez l'intérieur et tous les accessoires avec de l'eau tiède savonneuse.
- Vérifiez régulièrement les joints de porte et nettoyez-les en les essuyant pour éviter toute accumulation de déchets.
- Rincez et séchez soigneusement.

**Important** Ne pas tirer, déplacer ou endommager les tuyaux et/ou câbles qui se trouvent à l'intérieur de l'appareil.

Ne JAMAIS utiliser de produits abrasifs ou caustiques ni d'éponges avec grattoir pour nettoyer l'intérieur de façon à ne pas l'abîmer et laisser de fortes odeurs.

Nettoyer le condenseur (grille noire) et le compresseur situés à l'arrière de l'appareil avec une brosse ou un aspirateur. Cette opération améliore les performances de l'appareil et permet des économies d'énergie.

**Important** Attention à ne pas endommager le système de réfrigération.

De nombreux détergents pour la cuisine recommandés par les fabricants contiennent des produits chimiques qui peuvent attaquer/endommager les pièces en plastique utilisées dans cet appareil. Il est par conséquent recommandé d'utiliser seulement de l'eau chaude additionnée d'un peu de savon liquide pour nettoyer la carrosserie de l'appareil.

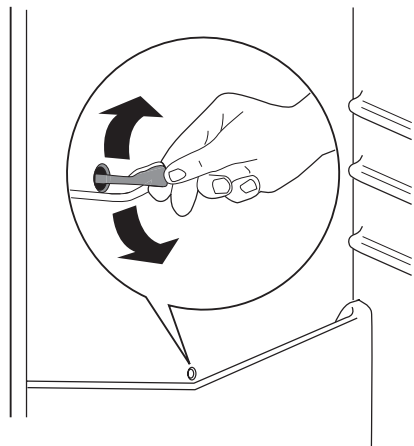
Après le nettoyage, rebranchez l'appareil.

### Dégivrage du réfrigérateur

L'eau est automatiquement éliminée de l'évaporateur du compartiment réfrigérateur à chaque arrêt du compresseur, en cours d'utilisation normale. L'eau de dégivrage est collectée dans un récipient spécial situé à l'arrière de l'appareil, au-dessus du compresseur, d'où elle s'évapore.

Il est important de nettoyer régulièrement l'orifice d'écoulement de la gouttière d'évacuation de l'eau de dégivrage située au milieu du compartiment réfrigérateur pour empêcher l'eau de déborder et de couler sur les aliments qui se trouvent à l'intérieur.

Nettoyez l'orifice d'écoulement de l'eau de dégivrage avec le bâtonnet spécial se trouvant déjà dans l'orifice.



### Dégivrage du congélateur

Une certaine quantité de givre se formera toujours sur les plateaux du congélateur et autour du compartiment supérieur. Périodiquement (toutes les 2 ou 3 semaines) ou lorsque la couche de givre atteint



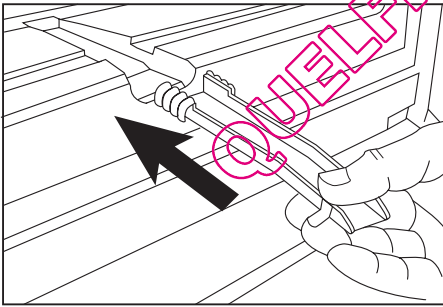
une épaisseur d'environ 3-5 mm, grattez la mince couche de givre qui recouvre les parois.

Pour dégivrer, suivez les instructions ci-dessous :

- Débranchez l'appareil.
- Sortez les denrées surgelées et congelées. Enveloppez celles-ci dans plusieurs feuilles de papier journal, ou mieux, dans des emballages isothermes. Conservez-les dans un endroit frais.
- Retirez les tiroirs du congélateur
- Conservez également les tiroirs dans un endroit frais.

Vous pouvez accélérer le processus de dégivrage en plaçant un bol d'eau chaude (non bouillante) dans le congélateur.

- Sortez la gouttière d'évacuation comme indiqué et placez-la dans le tiroir inférieur dans lequel s'écoulera l'eau de dégivrage.
- Vous pouvez accélérer le dégivrage en retirant avec précaution la couche de givre. Utilisez pour cela une spatule en plastique.
- Le dégivrage terminé, procédez au nettoyage de l'appareil. Essuyez-le correctement et remettez en place la gouttière d'évacuation.



- Rebranchez l'appareil et remettez-le en service.

**Il est recommandé de placer le thermostat de l'appareil sur la position Max pendant quelques heures pour que la température de stockage suffisante puisse être atteinte le plus rapidement possible.**

**Important** N'utilisez jamais de couteau ou d'objet métallique ou tranchant, vous risquez de détériorer l'évaporateur. N'utilisez jamais de dispositif mécanique ou de moyens artificiels autres que ceux recommandés dans cette notice d'utilisation pour accélérer le processus de dégivrage. Une augmentation de la température des aliments surgelés pendant le dégivrage peut raccourcir leur durée de conservation.

## EN CAS D'ANOMALIE DE FONCTIONNEMENT

**!** **Attention** Avant d'essayer de résoudre un quelconque problème, débranchez l'appareil. Tout problème non mentionné dans le présent manuel, doit être exclusivement confié à un électricien qualifié ou une personne compétente.

**Important** Le fonctionnement de l'appareil produit certains bruits (compresseur et système réfrigérant). Ces bruits sont normaux.

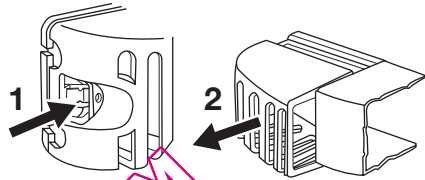
Anomalie	Cause possible	Solution
<b>L'appareil est bruyant.</b>	L'appareil n'est pas bien appuyé.	Vérifiez la stabilité de l'appareil (les quatre pieds doivent reposer par terre).
<b>Le compresseur fonctionne en continu.</b>	Le bouton du thermostat n'est peut-être pas bien réglé.	Choisissez une température plus élevée.
	La porte n'est pas bien fermée.	Consultez le paragraphe "Fermeture de la porte".
	La porte a été ouverte trop souvent.	Ne laissez pas la porte ouverte plus longtemps que nécessaire.
	La température du produit est trop élevée.	Laissez la température du produit rejoindre la température ambiante avant de le stocker.
	La température ambiante est trop élevée.	Abaissez la température de la pièce.
<b>De l'eau coule sur la plaque arrière du réfrigérateur.</b>	Pendant le dégivrage automatique, le givre fond sur la plaque arrière.	Ce phénomène est normal.
<b>De l'eau coule dans le réfrigérateur.</b>	L'orifice d'écoulement de l'eau est obstrué.	Nettoyez l'orifice.
	Des produits empêchent que l'eau coule dans le réservoir d'eau.	Assurez-vous que les produits ne touchent pas la plaque arrière.
<b>De l'eau coule sur le sol.</b>	L'eau de dégivrage ne coule pas dans le plateau d'évaporation situé au dessus du compresseur.	Fixez le tuyau de sortie de l'eau au plateau d'évaporation.
<b>Il y a trop de givre.</b>	Les produits ne sont pas bien enveloppés.	Enveloppez mieux les produits.
	La porte n'est pas bien fermée.	Consultez le paragraphe "Fermeture de la porte".
	Le bouton du thermostat n'est peut-être pas bien réglé.	Choisissez une température plus élevée.
<b>La température de l'appareil est trop basse.</b>	Le bouton du thermostat n'est peut-être pas bien réglé.	Choisissez une température plus élevée.
<b>La température de l'appareil est trop élevée.</b>	Le bouton du thermostat n'est peut-être pas bien réglé.	Choisissez une température plus basse.
	La porte n'est pas bien fermée.	Consultez le paragraphe "Fermeture de la porte".
	La température du produit est trop élevée.	Laissez la température du produit rejoindre la température ambiante avant de le stocker.
	Trop de produits ont été introduits ensemble.	Introduisez moins de produits en même temps.
<b>La température du réfrigérateur est trop élevée.</b>	Il n'y a aucune circulation d'air froid dans l'appareil.	Assurez-vous qu'il y ait une circulation d'air froid dans l'appareil.
<b>La température du congélateur est trop élevée.</b>	Les produits sont trop près les uns des autres.	Stockez les produits de façon à permettre la circulation de l'air froid.
<b>L'appareil ne fonctionne pas.</b>	L'appareil est à l'arrêt.	Mettez l'appareil en marche.

Anomalie	Cause possible	Solution
	La fiche n'est pas correctement branchée sur la prise.	Branchez correctement la fiche sur la prise.
	Le courant n'arrive pas à l'appareil. La prise n'est pas alimentée.	Branchez un autre appareil électrique sur la prise. Faites appel à un électricien qualifié.
<b>L'ampoule ne fonctionne pas.</b>	L'ampoule est en mode veille.	Fermez puis ouvrez la porte.
	L'ampoule est défectueuse.	Consultez le paragraphe « Remplacement de l'ampoule ».

En cas d'anomalie de fonctionnement et si malgré toutes les vérifications une intervention s'avère nécessaire, contactez le service après-vente de votre magasin vendeur.

### Remplacement de l'ampoule

1. Débranchez l'appareil.
2. Poussez la pièce amovible pour décrocher le diffuseur (1).
3. Enlevez le diffuseur (2).
4. Remplacez l'ampoule par une ampoule de même puissance spécifiquement conçue pour les appareils ménagers.
5. Installez le diffuseur.
6. Branchez l'appareil.
7. Ouvrez la porte. Vérifiez que l'ampoule s'allume.



### Fermeture de la porte

1. Nettoyez les joints de la porte.
2. Si nécessaire, ajustez la porte. Consultez le paragraphe "Installation".
3. Si nécessaire, remplacez les joints défectueux. Contactez le Service Après-vente.


## CARACTÉRISTIQUES TECHNIQUES

Dimension		
	Hauteur	1850 mm
	Largeur	595 mm
	Profondeur	658 mm
Autonomie de fonctionnement		20 h
Tension		230 V
Fréquence		50 Hz

Les caractéristiques techniques figurent sur la plaque signalétique située sur le côté

gauche à l'intérieur de l'appareil et sur l'étiquette énergétique.

## EN CAS D'ANOMALIE DE FONCTIONNEMENT

 Pour votre sécurité et le bon fonctionnement de l'appareil, veuillez lire attentivement les "Consignes de sécurité" avant d'installer l'appareil.

### Emplacement

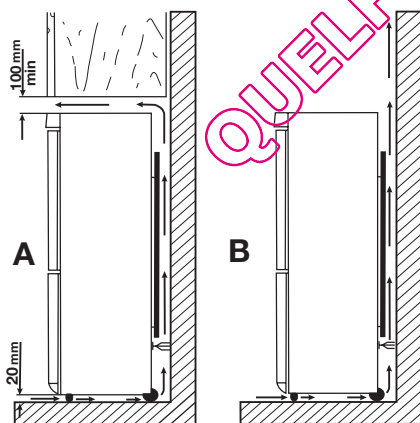
Installez cet appareil à un endroit où la température ambiante correspond à la classe climatique indiquée sur la plaque signalétique de l'appareil :

Classe climatique	Température ambiante
SN	+10 à + 32 °C
N	+16 à + 32 °C
ST	+16 à + 38 °C
T	+16 à + 43 °C

## Emplacement

Placez de préférence votre appareil loin d'une source de chaleur (chauffage, cuisson aux rayons solaires trop intenses). Veillez à ce que l'air circule librement tout autour de l'appareil. Pour obtenir les meilleures performances possibles, si vous souhaitez placer l'appareil sous un élément, il est indispensable de laisser un espace d'au moins 100 mm entre le dessus de l'appareil et l'élément supérieur. Théoriquement, l'appareil ne doit pas être placé sous un élément. Calez soigneusement l'appareil en agissant sur le(s) pied(s) réglable(s).

**⚠ Avertissement** L'appareil doit pouvoir être débranché à tout moment. Il est donc nécessaire que la prise murale reste accessible une fois que l'installation est terminée.



tres appareils branchés. Calibre des fusibles en ligne (un par phase) 10 A en 230 V.

**Important** L'installation doit être réalisée conformément aux règles de l'art, aux prescriptions de la norme NF.C.15100 et aux prescriptions des fournisseurs d'énergie électrique.

Utilisez un socle de prise de courant comportant une borne de mise à la terre, qui doit être obligatoirement raccordée conformément à la norme NF.C. 15100 et aux prescriptions des fournisseurs d'énergie électrique ; cette prise de courant doit impérativement être accessible. Si le câble d'alimentation est endommagé, il doit être remplacé par un câble d'alimentation certifié. Cette opération ne peut être effectuée que par une personne habilitée, par votre vendeur, ou par le fabricant. L'appareil ne doit pas être raccordé à l'aide d'un prolongateur, d'une prise multiple ou d'un raccordement multiple (risque d'incendie). Vérifiez que la prise de terre est conforme aux règlements en vigueur.

Notre responsabilité ne saurait être engagée en cas d'accidents ou d'incidents provoqués par une mise à la terre inexistante ou défectueuse.



## Entretoises arrière

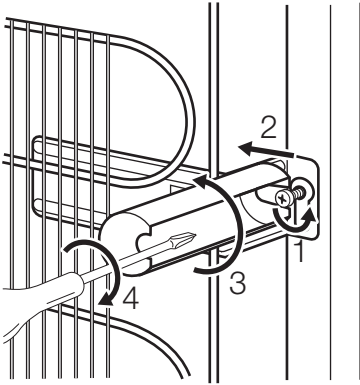
Vous trouverez les deux filtres dans le sac avec la documentation.

Pour installer les filtres, procédez comme suit :

1. Desserrez la vis.
2. Insérez le filtre sous la vis.
3. Tournez le filtre dans la bonne position.
4. Resserrez les vis.

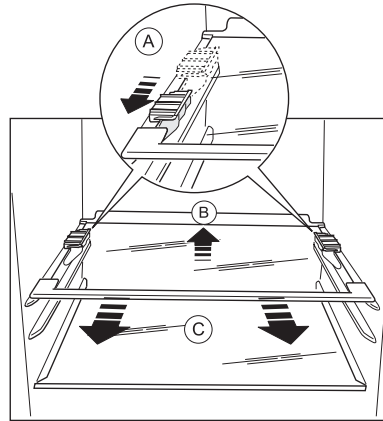
## Branchement électrique

Votre appareil ne peut être branché qu'en 230 V monophasé. Vérifiez que le compteur électrique peut supporter l'intensité absorbée par votre appareil compte tenu des au-



### Mise à niveau

Veillez à caler soigneusement l'appareil en agissant sur les deux pieds réglables de devant.

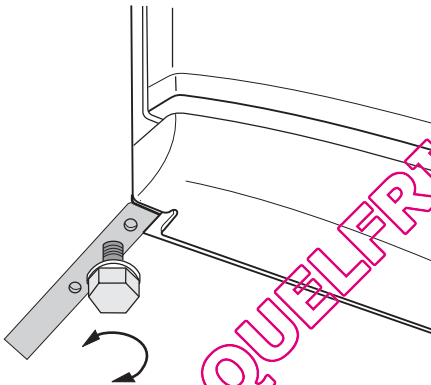


### Réversibilité de la porte

**⚠ Avertissement** Avant toute opération, débranchez la prise d'alimentation électrique.

**Important** Pour effectuer les opérations suivantes, il est conseillé de se faire aider par une autre personne pour maintenir fermement les portes de l'appareil pendant les opérations.

Pour changer le sens d'ouverture de la porte, suivez les étapes suivantes :



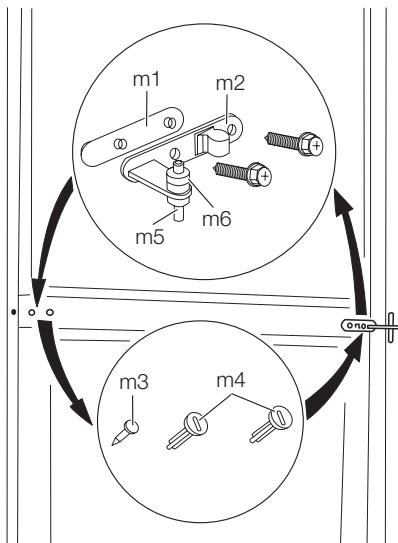
### Retrait des supports de clayette

Votre appareil est équipé de dispositifs de retenue qui permettent d'immobiliser les clayettes au cours du transport.

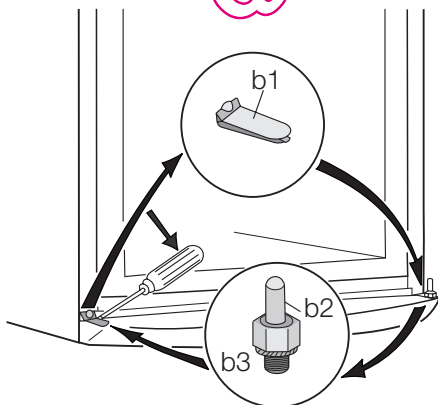
Pour les enlever, procédez comme suit :

1. Déplacez les supports de clayette dans le sens de la flèche (A).
2. Soulevez la clayette de l'arrière et poussez-la vers l'avant pour la dégager (B).
3. Enlevez les dispositifs de retenue (C).

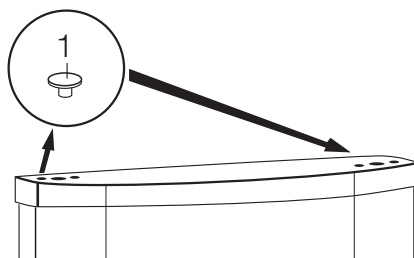
1. Ouvrez la porte. Dévissez la charnière du milieu (m2). Déposez l'entretoise en plastique (m1).



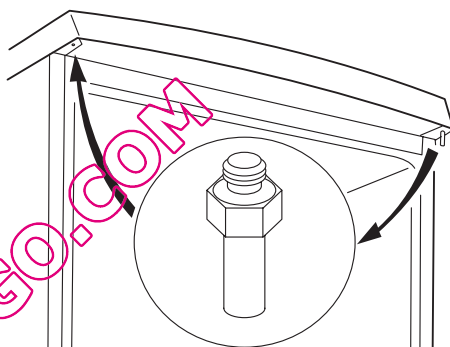
2. Enlevez les portes.
3. Retirez les entretoises (m6) et placez-les de l'autre côté des gonds de charnière (m5).
4. Retirez le cache (b1) à l'aide d'un outil. Dévissez le gond de la charnière inférieure (b2) et l'entretoise (b3) et placez-les du côté opposé.
5. Réinsérez le cache (b1) du côté opposé.



6. Enlevez les butées (1) et placez-les sur les portes de l'autre côté.



7. Dévissez le gond de la charnière supérieure (t1) et vissez-le de l'autre côté.



8. Retirez la goupille du cache gauche de la charnière centrale (m3, m4) et placez-la de l'autre côté.
9. Insérez la goupille de la charnière centrale (m5) dans le trou gauche de la porte inférieure.
10. Remplacez la porte inférieure sur le gond de la charnière inférieure (b2).
11. Installez la porte supérieure sur le gond de la charnière supérieure (t1).
12. Remplacez la porte supérieure sur le gond de la charnière centrale (m5) en inclinant légèrement les deux portes.
13. Révissez la charnière centrale (m2). N'oubliez pas l'entretoise en plastique (m1) sous la charnière centrale. Assurez-vous que les arêtes des portes sont parallèles à l'arête latérale de l'appareil.
14. Remettez l'appareil en place, mettez-le d'aplomb, attendez quatre heures au moins puis branchez-le sur la prise de courant.

Contrôlez une dernière fois pour vous assurer que :


- Toutes les vis sont correctement serrées.
  - Le joint magnétique adhère bien à l'appareil.
  - La porte ouvre et ferme correctement.
- Si la température ambiante est basse (en hiver, par exemple), il se peut que le joint n'adhère pas parfaitement. Dans ce cas,

attendez que le joint reprenne sa taille naturelle.

Si vous ne voulez pas effectuer personnellement les opérations décrites ci-dessus, contactez le S.A.V. le plus proche. Un technicien du S.A.V. inversera le sens d'ouverture de la porte à vos frais.

## EN MATIÈRE DE SAUVEGARDE DE L'ENVIRONNEMENT

---

Le symbole  sur le produit ou son emballage indique que ce produit ne peut être traité comme déchet ménager. Il doit être remis au point de collecte dédié à cet effet (collecte et recyclage du matériel électrique et électronique). En procédant à la mise au rebut de l'appareil dans les règles de l'art, nous

préservons l'environnement et notre sécurité, s'assurant ainsi que les déchets seront traités dans des conditions optimum.

Pour obtenir plus de détails sur le recyclage de ce produit, veuillez prendre contact avec les services de votre commune ou le magasin où vous avez effectué l'achat.

QUELFRIGO.COM

# Electrolux. Thinking of you.

Per conoscere meglio il nostro modo di pensare, visitate il sito [www.electrolux.com](http://www.electrolux.com)

## INDICE

Informazioni per la sicurezza	32	Pulizia e cura	38
Uso dell'apparecchio	34	Cosa fare se...	39
Primo utilizzo	34	Dati tecnici	41
Utilizzo quotidiano	35	Installazione	42
Consigli e suggerimenti utili	37	Considerazioni ambientali	45

Con riserva di modifiche



## INFORMAZIONI PER LA SICUREZZA

Per garantire un impiego corretto e sicuro dell'apparecchio, prima dell'installazione e del primo utilizzo leggere con attenzione il libretto istruzioni, inclusi i suggerimenti e le avvertenze. Per evitare errori e incidenti, è importante garantire che tutte le persone che utilizzano l'apparecchio ne conoscano il funzionamento e le caratteristiche di sicurezza. Conservare queste istruzioni e accertarsi che rimangano unite all'apparecchio in caso di vendita o trasloco, in modo che chiunque lo utilizzi sia correttamente informato sull'uso e sulle norme di sicurezza.

Per la sicurezza delle persone e delle cose osservare le precauzioni indicate nelle presenti istruzioni per l'utente, il produttore non è responsabile dei danni provocati da eventuali omissioni.

### Sicurezza dei bambini e delle persone fragili

- Questo apparecchio non deve essere usato da persone, bambini inclusi, con ridotte capacità fisiche, sensoriali o psichiche, oppure prive di conoscenza e esperienza, a meno che non siano state istruite all'uso dell'apparecchio da parte dei responsabili della loro sicurezza, oppure sotto vigilanza di questi. I bambini devono essere sorvegliati per assicurarsi che non giochino con l'apparecchio.
- Tenere i materiali di imballaggio al di fuori della portata dei bambini. Alcuni materiali possono creare rischi di soffocamento.
- Qualora l'apparecchio venga demolito, estrarre la spina dalla presa, tagliare il cavo di collegamento (il più vicino possibile all'apparecchio) e smontare lo sportello

per evitare che i bambini giocando possano subire scosse elettriche o chiudersi dentro l'apparecchio.

- Se questo nuovo apparecchio, che è dotato di guarnizioni magnetiche nello sportello, va a sostituire un più vecchio avente sportello o coperchio con chiusure a molla, si deve rendere inutilizzabili tali chiusure prima di eliminare l'apparecchio sostituito, per evitare che diventi una trappola mortale per i bambini.

### Norme di sicurezza generali



**Attenzione** Accertarsi che le aperture di ventilazione non siano ostruite.

- L'apparecchiatura è progettata per la conservazione domestica di alimenti e/o bevande nelle modalità descritte nelle presenti istruzioni.
- Non utilizzare dispositivi meccanici o altri mezzi artificiali per accelerare lo sbrinatorio.
- Non utilizzare altre apparecchiature elettriche (per esempio gelatiere) all'interno del frigorifero, salvo quelle approvate per tale scopo dal produttore.
- Non danneggiare il circuito refrigerante.
- Il circuito refrigerante dell'apparecchiatura contiene isobutano (R600a), un gas naturale con un elevato livello di compatibilità ambientale che, tuttavia, è infiammabile. Durante il trasporto e l'installazione dell'apparecchiatura, assicurarsi che nessuno dei componenti del circuito refrigerante venga danneggiato. In caso di danneggiamento del circuito refrigerante:



- Evitare fiamme libere e scintille
- Aerare bene il locale in cui si trova l'apparecchiatura
- È pericoloso cambiare le specifiche o modificare il prodotto in qualunque modo. Un danneggiamento del cavo potrebbe provocare cortocircuiti, incendi e/o scosse elettriche.



**Avvertenza** Tutti i componenti elettrici (cavo di alimentazione, spina, compressore) devono essere sostituiti da un tecnico certificato o da personale d'assistenza qualificato al fine di evitare di correre rischi.

1. Non collegare prolunghe al cavo di alimentazione.
  2. Evitare che il lato posteriore dell'apparecchiatura possa schiacciare o danneggiare la spina, causandone il surriscaldamento con un conseguente rischio di incendio.
  3. La spina dell'apparecchiatura deve trovarsi in una posizione accessibile.
  4. Evitare di tirare il cavo di alimentazione.
  5. Se la presa elettrica non è perfettamente stabile, non inserire la spina. Il collegamento potrebbe provocare scosse elettriche o creare un rischio di incendio.
  6. L'apparecchiatura non deve essere messo in funzione senza il coprilampada interno<sup>10)</sup> della luce interna.
- Questa apparecchiatura è pesante. Prestare attenzione quando occorre spostarla.
  - Evitare di estrarre o di toccare gli alimenti riposti nel vano congelatore con le mani bagnate o umide; il contatto potrebbe provocare abrasioni o ustioni da freddo.
  - Evitare un'esposizione prolungata dell'apparecchiatura alla luce solare diretta.
  - Lampadine<sup>11)</sup> utilizzate in questa apparecchiatura sono lampadine speciali selezionate per essere usate unicamente negli elettrodomestici. Non sono adatte per l'illuminazione degli ambienti.

## Uso quotidiano

- Non collocare pentole calde sulle parti in plastica dell'apparecchio.
- Non collocare gas e liquidi infiammabili nell'apparecchio, perché potrebbero esplodere.
- Non collocare gli alimenti direttamente contro l'uscita dell'aria nella parete posteriore.<sup>12)</sup>
- Gli alimenti congelati non devono essere ricongelati una volta scongelati.
- Riporre gli alimenti surgelati preconfezionati secondo le istruzioni del produttore dell'alimento surgelato.
- Osservare rigorosamente i consigli per la conservazione degli alimenti del produttore dell'apparecchio. Vedere le relative istruzioni.
- Non collocare bevande gassate o frizzanti nello scomparto congelatore perché creano pressione sul recipiente che può esplodere danneggiando l'apparecchio.
- I ghiaccioli possono provocare bruciate da gelo se consumati immediatamente dopo averli tolti dall'apparecchio.

## Pulizia e cura

- Prima della manutenzione, spegnere l'apparecchio e staccare la spina dalla presa.
- Non pulire l'apparecchio con oggetti metallici.
- Non usare oggetti appuntiti per rimuovere la brina dall'apparecchio. Usare un raschietto di plastica.
- Esaminare regolarmente il foro di scarico dell'acqua di sbrinamento nel frigorifero. Se necessario, pulirlo. Se il foro è otturato, l'acqua si raccoglie sul fondo dell'apparecchio.

## Installazione

**Importante** Per il collegamento elettrico, seguire attentamente le istruzioni dei paragrafi corrispondenti.

- Disimballare l'apparecchio e assicurarsi che non presenti danni. Non collegare l'apparecchio se è danneggiato. Segnalare immediatamente gli eventuali danni al negozio in cui è stato acquistato. In questo caso conservare l'imballaggio.

10) Per le apparecchiature che prevedono il coprilampada.

11) Nel caso in cui la lampadina sia prevista.

12) Se l'apparecchio è di tipo No-Frost.

- Si consiglia di attendere almeno due ore prima di collegare l'apparecchio per consentire all'olio di arrivare nel compressore.
- Attorno all'apparecchio vi deve essere un'adeguata circolazione dell'aria, altrimenti si può surriscaldare. Per ottenere una ventilazione sufficiente seguire le istruzioni di installazione.
- Se possibile il retro dell'apparecchio dovrebbe essere posizionato contro una parete per evitare di toccare le parti calde o di rimanervi impigliati (compressore, condensatore), evitando così possibili scottature.
- L'apparecchio non deve essere posto vicino a radiatori o piani di cottura a gas.
- Installare l'apparecchio in modo che la presa rimanga accessibile.
- Per il collegamento idrico, usare solo sorgenti d'acqua potabile. <sup>13)</sup>

### Assistenza tecnica


- Gli interventi elettrici sull'apparecchiatura devono essere eseguiti esclusivamente

da elettricisti qualificati o da personale competente.

- Gli interventi di assistenza devono essere eseguiti esclusivamente da tecnici autorizzati e utilizzando solo ricambi originali.

### Tutela ambientale



Questo apparecchio non contiene gas che potrebbero danneggiare lo strato di ozono nel circuito refrigerante o nei materiali isolanti. L'apparecchio non deve essere smaltito assieme ai rifiuti urbani e alla spazzatura. La schiuma dell'isolamento contiene gas infiammabili: lo smaltimento dell'apparecchio va eseguito secondo le prescrizioni vigenti da richiedere alle autorità locali. Evitare di danneggiare il gruppo refrigerante, specialmente nella parte posteriore vicino allo scambiatore di calore. I materiali usati su questo apparecchio contrassegnati dal simbolo  sono riciclabili.

## USO DELL'APPARECCHIO

### Accensione

Inserire la spina nella presa.  
Ruotare il termostato in senso orario fino a una regolazione media.

### Spegnimento


Per spegnere l'apparecchio, ruotare il termostato in posizione "0".

### Regolazione della temperatura

La temperatura è regolata automaticamente.

Per utilizzare l'apparecchio, procedere come segue:

- ruotare il termostato verso una regolazione bassa per un raffreddamento minimo.
- ruotare il termostato verso una regolazione alta per un raffreddamento massimo.

 Una regolazione media è in genere la più adatta.

Tuttavia la regolazione esatta dovrebbe essere scelta tenendo a mente che la temperatura all'interno dell'apparecchio dipende da:

- temperatura ambiente
- frequenza di apertura della porta
- quantità di cibo conservato
- posizione dell'apparecchio.

**Importante** Se la temperatura ambiente è elevata o l'apparecchio è a pieno carico ed è regolato su temperature minime, può funzionare in continuo causando la formazione di brina sulla parete posteriore. In questo caso la manopola deve essere regolata su una temperatura per consentire lo sbrinamento automatico riducendo così il consumo di energia.

## PRIMO UTILIZZO

### Pulizia dell'interno

Prima di utilizzare l'apparecchio per la prima volta, lavare l'interno e gli accessori in-

terni con acqua tiepida e un po' di sapone neutro in modo a togliere il tipico odore dei

<sup>13)</sup> Per gli apparecchi che prevedono un collegamento alla rete idrica.

prodotti nuovi, quindi asciugare accuratamente.

**Importante** Non usare detergenti corrosivi o polveri abrasive che danneggiano le finiture.

## UTILIZZO QUOTIDIANO

### Congelazione dei cibi freschi

Il vano congelatore è adatto alla congelazione di cibi freschi e alla conservazione a lungo termine di cibi congelati e surgelati.

Per congelare cibi freschi non è necessario cambiare la regolazione media.

Tuttavia, per un'operazione di congelamento più rapida, ruotare il termostato verso una regolazione più alta per ottenere il massimo raffreddamento.

**Importante** In questa condizione la temperatura del vano frigorifero può scendere sotto 0°C. In questo caso riportare il termostato verso una regolazione più calda.

Riporre i cibi freschi da congelare nel comparto superiore.

### Conservazione dei surgelati

Al primo avvio o dopo un periodo di non utilizzo, lasciare in funzione l'apparecchiatura per almeno 2 ore con una regolazione alta prima di introdurre gli alimenti.

**Importante** Se si verifica un'interruzione della corrente elettrica di durata superiore al "tempo di salita" indicato nella tabella dei dati tecnici, il cibo scongelato deve essere consumato rapidamente o cucinato immediatamente e quindi ricongelato (dopo il raffreddamento).

### Scongelamento

Prima dell'utilizzo, i cibi surgelati o congelati possono essere scongelati nel vano frigorifero o a temperatura ambiente, in funzione del tempo disponibile per questa operazione.

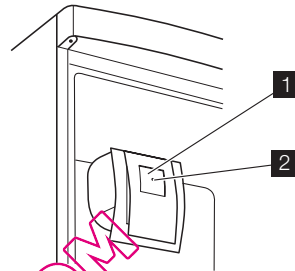
I pezzi piccoli possono addirittura essere cucinati ancora congelati, direttamente dal congelatore: in questo caso la cottura durerà più a lungo.

### Raffreddamento dell'aria

La ventola del sistema Dynamic Air Cooling (DAC) produce un raffreddamento più velo-

ce degli alimenti e una temperatura più uniforme nello scomparto.

Per accendere la ventola, premere l'interruttore (1). La spia verde (2) si accende.

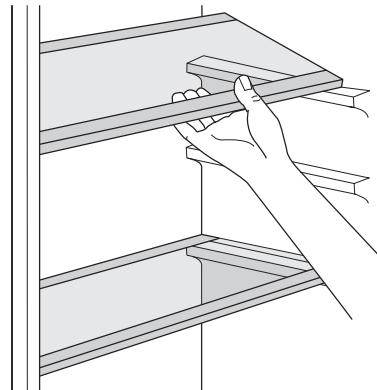


Questo dispositivo consente un raffreddamento rapido degli alimenti e mantiene più uniforme la temperatura all'interno dello scomparto.

**Importante** Accendere la ventola quando la temperatura ambiente è superiore a 25°C.

### Ripiani mobili

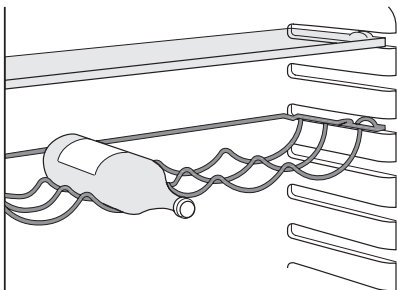
Le pareti del frigorifero sono equipaggiate con una serie di guide che permettono di collocare i ripiani nella posizione desiderata.



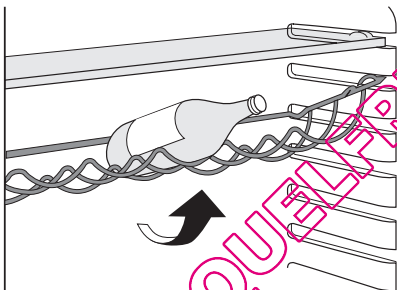
### Griglia portabottiglie

Disporre le bottiglie (con l'apertura in avanti) sull'apposito ripiano.

**Importante** Se il ripiano è in posizione orizzontale, utilizzarlo solo per le bottiglie chiuse.



Questo ripiano può essere inclinato per consentire l'appoggio di bottiglie già aperte. Tirare il ripiano e ruotarlo verso l'alto in modo da appoggiarlo al livello superiore.

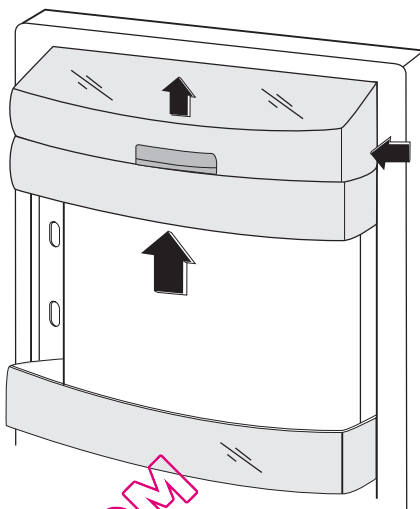


### Posizionamento delle mensole

Per facilitare l'introduzione di alimenti di diverse dimensioni, le mensole della porta possono essere posizionate ad altezze differenti.

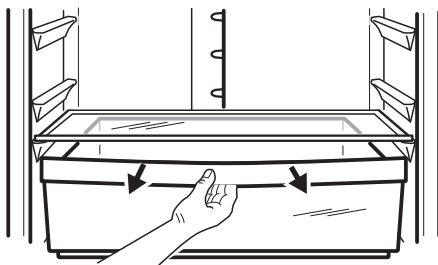
Per regolare l'altezza delle mensole, procedere come segue:

tirare lentamente la mensola nella direzione delle frecce finché non si sblocca, quindi riposizionarla all'altezza desiderata.



### Scomparto FreshZone

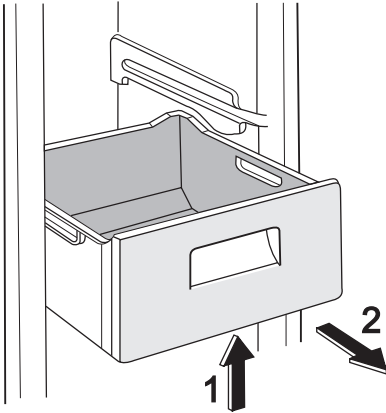
Lo scomparto FreshZone è ideale per la conservazione di alimenti freschi quali pesce, carne e frutti di mare poiché la temperatura è inferiore rispetto al resto del frigorifero.



### Rimozione dei cestelli dal vano congelatore

I cestelli del vano congelatore sono provvisti di un fermo che ne impedisce la caduta o la rimozione accidentale. Per estrarre un cestello dal vano congelatore, tirarlo in avanti e, al raggiungimento del fermo, inclinare verso l'alto la parte anteriore.

Per reinserire il cestello, sollevarlo leggermente sul lato anteriore e introdurlo nel vano congelatore. Una volta superato il fermo, spingere il cestello nella posizione originaria.



## CONSIGLI E SUGGERIMENTI UTILI

### Rumori normali durante il funzionamento

- Quando il refrigerante viene pompato attraverso le bobine o le tubazioni si può sentire un fievole gorgoglio e un borbottio. Non si tratta di un'anomalia.
- Quando il compressore è in funzione, viene pompato il refrigerante e si può sentire un ronzio e un rumore pulsante dal compressore. Non si tratta di un'anomalia.
- La dilatazione termica potrebbe provocare uno schiocco improvviso. È un fenomeno naturale, non pericoloso. Non si tratta di un'anomalia.
- Quando il compressore si accende o si spegne, si sente un lieve scatto del regolatore della temperatura. Non si tratta di un'anomalia.

### Consigli per il risparmio energetico

- Non aprire frequentemente la porta e non lasciarla aperta più di quanto assolutamente necessario.
- Se la temperatura ambiente è elevata, il termostato è impostato su una regolazione alta e l'apparecchio è a pieno carico, il compressore può funzionare in continuo causando la formazione di brina o ghiaccio sull'evaporatore. In questo caso, ruotare il termostato su una regolazione più bassa per consentire lo scongelamento automatico risparmiando così energia.

### Consigli per la refrigerazione di cibi freschi

Per ottenere i migliori risultati:

- Non riporre nel frigorifero cibi caldi o liquidi in fase di evaporazione
- coprire o avvolgere il cibo, in particolare se emana un odore forte
- posizionare il cibo in modo che l'aria possa circolare liberamente attorno ad esso

### Consigli per la refrigerazione

Consigli utili:

Carne (tutti i tipi): avvolgerla in sacchetti di polietilene e collocarla sul ripiano di vetro sopra il cassetto delle verdure.

Per motivi di sicurezza, conservarla in queste condizioni solo per uno o due giorni al massimo.

Cibi cucinati, piatti freddi ecc.: dovrebbero essere coperti e possono essere collocati su qualsiasi ripiano.

Frutta e verdura: dovrebbero essere pulite accuratamente e collocate nell'apposito/i cassetto/i speciale/i.

Burro e formaggio: dovrebbero essere posti in contenitori ermetici speciali o avvolti in pellicole di alluminio o sacchetti di polietilene per escludere per quanto possibile l'aria.

Bottiglie di latte: dovrebbero essere tappate e conservate nell'apposito ripiano sulla porta.

Non conservare nel frigorifero banane, patate, cipolle o aglio se non sono confezionati.

### Consigli per il congelamento

Per un processo di congelamento ottimale, ecco alcuni consigli importanti:

- la quantità massima di cibo che può essere congelata in 24 h è riportata sulla targhetta;
- il processo di congelamento dura 24 ore. In questo periodo non aggiungere altro cibo da congelare;
- congelare solo alimenti freschi, di ottima qualità e accuratamente puliti;
- preparare il cibo in piccole porzioni per consentire un congelamento rapido e completo e per scongelare in seguito solo la quantità necessaria;
- avvolgere il cibo in pellicole di alluminio o in polietilene e verificare che i pacchetti siano ermetici;
- non lasciare che cibo fresco non congelato entri in contatto con quello già congelato, per evitare un aumento della temperatura in quest'ultimo;
- i cibi magri si conservano meglio e più a lungo di quelli grassi; il sale riduce il periodo di conservazione del cibo;


- i ghiaccioli, se consumati immediatamente dopo la rimozione dal vano congelatore, possono causare ustioni da congelamento della pelle;
- si consiglia di riportare la data di congelamento su ogni singolo pacchetto per riuscire a tenere traccia del tempo di conservazione;


### Consigli per la conservazione dei surgelati

Per ottenere i migliori risultati con questo apparecchio:

- accertare che i cibi congelati commercialmente siano adeguatamente conservati dal rivenditore;
- fare in modo che i cibi congelati siano trasferiti dal negozio al congelatore nel più breve tempo possibile;
- non aprire la porta frequentemente o lasciarla aperta più del tempo strettamente necessario;
- Una volta scongelato, il cibo si deteriora rapidamente e non può essere ricongelato.
- Non superare il periodo di conservazione indicato dal produttore.

## PULIZIA E CURA

 **Attenzione** Staccare la spina dell'apparecchio prima di eseguire lavori di manutenzione.

 Questo apparecchio contiene idrocarburi nell'unità di raffreddamento; la manutenzione e la ricarica devono pertanto essere effettuate esclusivamente da tecnici autorizzati.

### Pulizia periodica

L'apparecchio deve essere pulito regolarmente:

- Pulire l'interno e gli accessori con acqua tiepida e un po' di sapone neutro.
- Controllare regolarmente le guarnizioni della porta e verificare che siano pulite e prive di residui.
- Risciacquare e asciugare accuratamente.

**Importante** Non tirare, spostare o danneggiare tubi e/o cavi all'interno dell'apparecchio.

Non usare mai detersivi, polveri abrasive, prodotti per la pulizia con una forte profumazione o cere lucidanti per pulire l'interno, in quanto danneggiano la superficie e lasciano un odore forte.

Pulire il condensatore (griglia nera) e il compressore sul retro con una spazzola o un aspirapolvere. Questa operazione migliorerà le prestazioni dell'apparecchio riducendo i consumi elettrici.

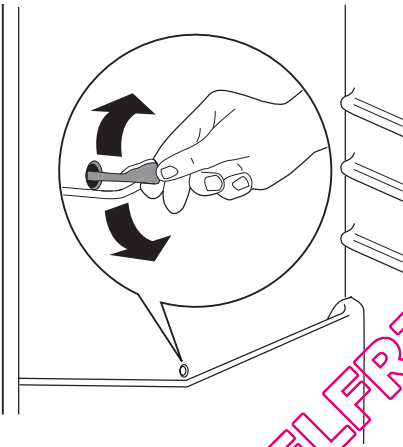
**Importante** Non danneggiare il sistema di raffreddamento.

Molti detersivi per cucine di marca contengono sostanze chimiche in grado di attaccare/danneggiare la plastica impiegata in questo apparecchio. Per questo motivo si raccomanda di pulire l'involucro esterno dell'apparecchio solo con acqua calda con un po' di liquido detersivo. Dopo la pulizia, ricollegare l'apparecchio alla rete di alimentazione.

## Sbrinamento del frigorifero

Durante l'uso normale la brina è eliminata automaticamente dall'evaporatore del vano frigorifero ogni volta che il motore si arresta. L'acqua di sbrinamento è scaricata attraverso un condotto in un contenitore speciale sul retro dell'apparecchio, sopra il motore, dove evapora.

È importante pulire periodicamente il foro di scarico dell'acqua di sbrinamento al centro del canale nel vano frigorifero per evitare che l'acqua fuoriesca gocciolando sul cibo all'interno. Usare lo speciale detergente in dotazione, già inserito nel foro di scarico.



## Sbrinamento del congelatore

È normale che sui ripiani del congelatore e intorno allo scomparto superiore si formino, con il tempo, uno strato di brina.

Quando tale strato raggiunge uno spessore di ca. 3-5 mm, il vano congelatore deve essere sbrinato.

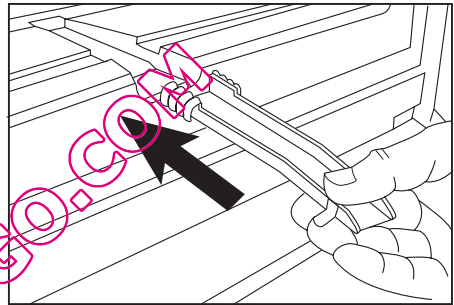
Procedere come segue:

- estrarre la spina della presa a parete o spegnere l'apparecchio
- rimuovere il cibo eventualmente conservato, avvolgendolo in diversi strati di carta di giornale e collocandolo in un luogo fresco
- rimuovere i cassetti dal vano congelatore

- avvolgere i cassetti con materiale isolante, ad esempio coperte o carta da giornale.

Per accelerare lo sbrinamento è possibile introdurre nel vano congelatore una o più bacinelle d'acqua calda (non bollente).

- Sganciare il canale di scarico, inserirlo come indicato nella figura e disporlo in modo che l'acqua possa raccogliersi nel cassetto inferiore del vano congelatore.
- Quando il ghiaccio inizia a sciogliersi, raschiarlo con delicatezza usando un raschietto di legno o di plastica.
- Quando il ghiaccio è completamente sciolto, pulire e asciugare il vano interno e riporre il canale di scarico.



- Riaccendere l'apparecchio e reintrodurre i surgelati.

**Si raccomanda di far funzionare l'apparecchio per alcune ore regolando il termostato al massimo, in modo che possa raggiungere una temperatura sufficiente nel più breve tempo possibile.**

**Importante** Per rimuovere la brina dall'evaporatore, non usare utensili metallici appuntiti che possano danneggiarlo. Non usare dispositivi elettrici o altri mezzi artificiali non raccomandati dal produttore allo scopo di accelerare il processo di sbrinamento. Un innalzamento della temperatura dei surgelati durante lo sbrinamento può ridurre la loro durata di conservazione.

## COSA FARE SE...

**⚠ Attenzione** Prima della ricerca guasti, estrarre la spina dalla presa.

Le operazioni di ricerca guasti non descritte nel presente manuale devono

essere eseguite esclusivamente da elettricisti qualificati o da personale competente.

quelli del compressore e del circuito refrigerante) sono da considerarsi normali e non segnalano anomalie.

**Importante** Alcuni rumori dovuti al funzionamento dell'apparecchio (come

Problema	Possibile causa	Soluzione
<b>L'apparecchio è rumoroso.</b>	L'apparecchio non è appoggiato in modo corretto.	Controllare che l'apparecchio sia appoggiato in modo stabile (tutti i piedini devono essere a contatto con il pavimento).
<b>Il compressore rimane sempre in funzione.</b>	Il regolatore di temperatura non è impostato correttamente.	Impostare una temperatura più alta.
	La porta non è chiusa correttamente.	Vedere "Chiusura della porta".
	La porta viene aperta troppo frequentemente.	Limitare il più possibile il tempo di apertura della porta.
	La temperatura degli alimenti è troppo alta.	Prima di introdurre gli alimenti, lasciarli raffreddare a temperatura ambiente.
	La temperatura ambiente è troppo alta.	Abbassare la temperatura ambiente.
<b>Scorre acqua sul pannello posteriore del frigorifero.</b>	Durante lo sbrinamento automatico, la brina che si forma sul pannello posteriore si scioglie.	Non si tratta di un'anomalia.
<b>Scorre acqua all'interno del frigorifero.</b>	Lo scarico dell'acqua è ostruito.	Pulire lo scarico dell'acqua.
	Gli alimenti impediscono all'acqua di scendere nell'apposito collettore.	Evitare di disporre gli alimenti direttamente contro la parete posteriore.
<b>Scorre acqua sul pavimento.</b>	L'acqua di sbrinamento non viene scaricata nella bacinella di evaporazione posta sopra il compressore.	Collegare lo scarico dell'acqua di sbrinamento alla bacinella di evaporazione.
<b>Lo strato di brina è troppo spesso.</b>	Gli alimenti non sono avvolti correttamente.	Avvolgere correttamente gli alimenti.
	La porta non è chiusa correttamente.	Vedere "Chiusura della porta".
	Il regolatore di temperatura non è impostato correttamente.	Impostare una temperatura superiore.
<b>La temperatura all'interno dell'apparecchio è troppo bassa.</b>	Il regolatore di temperatura non è impostato correttamente.	Impostare una temperatura superiore.
<b>La temperatura all'interno dell'apparecchio è troppo alta.</b>	Il regolatore di temperatura non è impostato correttamente.	Impostare una temperatura inferiore.
	La porta non è chiusa correttamente.	Vedere "Chiusura della porta".
	La temperatura degli alimenti è troppo alta.	Prima di introdurre gli alimenti, lasciarli raffreddare a temperatura ambiente.

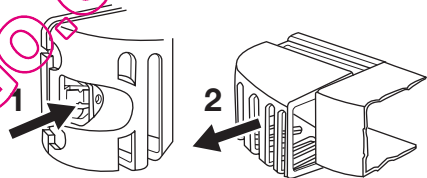


Problema	Possibile causa	Soluzione
	Sono stati introdotti molti alimenti insieme.	Introdurre gli alimenti poco alla volta.
<b>La temperatura nel vano frigorifero è troppo alta.</b>	L'aria fredda non circola correttamente all'interno dell'apparecchio.	Adottare le misure necessarie per garantire una corretta circolazione dell'aria fredda.
<b>La temperatura nel vano congelatore è troppo alta.</b>	I surgelati sono troppo vicini tra loro.	Disporre i surgelati in modo da consentire una corretta circolazione dell'aria fredda.
<b>L'apparecchio non funziona.</b>	L'apparecchio è spento.	Accendere l'apparecchio.
	La spina non è inserita correttamente nella presa.	Inserire correttamente la spina nella presa.
	L'apparecchio non riceve corrente. Non arriva tensione alla presa elettrica.	Collegare alla presa un altro apparecchio elettrico. Rivolgersi a un elettricista qualificato.
<b>La lampadina non si accende.</b>	La lampadina è in modalità stand-by.	Chiudere e riaprire la porta.
	La lampada è difettosa.	Fare riferimento alla sezione "Sostituzione della lampadina".

Se le soluzioni indicate nella tabella precedente non consentono di risolvere il problema, rivolgersi al centro di assistenza più vicino.

### Sostituzione della lampadina

1. Scollegare l'apparecchiatura dalla rete elettrica.
2. Spingere la parte mobile per sganciare il coprilampada della lampadina (1).
3. Rimuovere il coprilampada (2).
4. Sostituire la lampada con una della stessa potenza e specificatamente studiata per gli elettrodomestici.
5. Installare il coprilampada.
6. Collegare l'elettrodomestico.
7. Aprire la porta. Controllare che la lampadina si accenda.



### Chiusura della porta

1. Pulire le guarnizioni della porta.
2. Se necessario, regolare la porta. Vedere "Installazione".
3. Se necessario, sostituire le guarnizioni della porta difettose. Contattare il Centro di assistenza locale.

## DATI TECNICI

Dimensioni		
	Altezza	1850 mm
	Larghezza	595 mm
	Profondità	658 mm
Tempo di salita		20 h
Tensione		230V
Frequenza		50 Hz

I dati tecnici sono riportati sulla targhetta del modello, applicata sul lato sinistro inter-

no dell'apparecchio, e sull'etichetta dei valori energetici.

## INSTALLAZIONE

**!** Leggere con attenzione le "Informazioni per la sicurezza" per la vostra sicurezza e per il corretto funzionamento dell'apparecchio prima di procedere all'installazione.

### Posizionamento

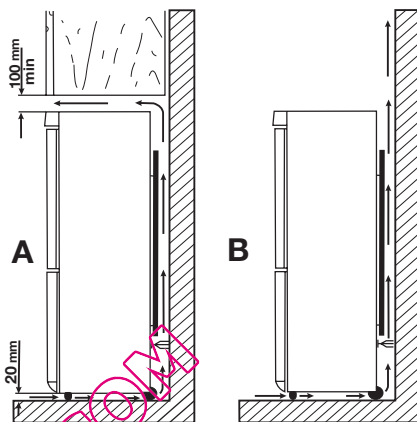
Installare questo apparecchio in un punto in cui la temperatura ambiente corrisponda alla classe climatica indicata sulla sua targhetta:

Classe climatica	Temperatura ambiente
SN	da + 10°C a + 32°C
N	da + 16°C a + 32°C
ST	da + 16°C a + 38°C
T	da + 16°C a + 43°C

### Posizione

L'apparecchio deve essere installato lontano da fonti di calore (termosifoni, boiler, luce solare diretta, ecc.). Verificare che sul lato posteriore sia garantita un'adeguata circolazione dell'aria. Per ottenere prestazioni ottimali, se l'apparecchio è installato al di sotto di un pensile si raccomanda di mantenere una distanza minima fra quest'ultimo e lo spigolo superiore dell'apparecchio di almeno 100 mm. Se possibile, tuttavia, evitare di installare l'apparecchio sotto un pensile. Per consentire un perfetto livellamento dell'apparecchio sono provvisti uno o più piedini regolabili.

**!** **Avvertenza** Deve essere possibile scollegare l'apparecchio dalla rete elettrica; eseguire perciò l'installazione facendo sì che la spina rimanga facilmente accessibile.



### Collegamento elettrico

Prima di inserire la spina, verificare che la tensione e la frequenza riportate sulla targhetta corrispondano ai valori della rete elettrica domestica.

L'apparecchio deve essere collegato a massa. La spina del cavo di alimentazione è dotata di un contatto a tale scopo. Se la presa della rete elettrica domestica non è collegata a massa, collegare l'apparecchio ad una massa separata in conformità alle norme relative alla corrente, consultando un elettricista qualificato.

Il fabbricante declina qualsiasi responsabilità se le precauzioni suddette non sono rispettate.

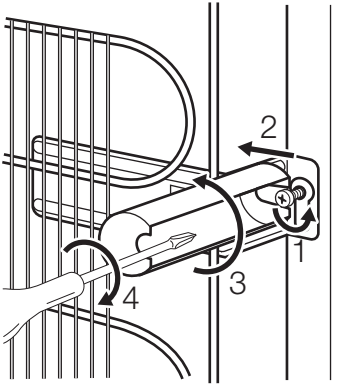
Il presente apparecchio è conforme alle direttive CEE.

### Distanziatori posteriori

Nel sacchetto contenente la documentazione sono presenti due distanziatori.

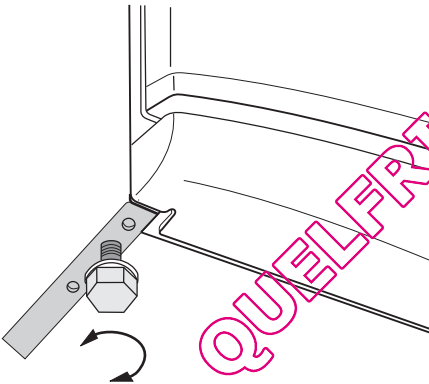
Per installare i distanziatori, procedere nel modo seguente:

1. Svitare la vite.
2. Sistemare il distanziatore al di sotto della vite.
3. Ruotare il distanziatore verso destra.
4. Serrare nuovamente le viti.



### Livellamento

L'apparecchio deve trovarsi perfettamente in piano. Per correggere gli eventuali dislivelli è possibile regolare in altezza i due piedini anteriori.

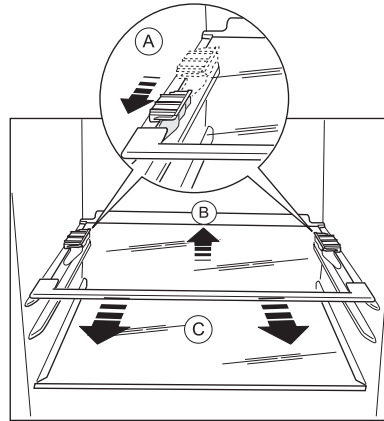


### Rimozione dei fermi dei ripiani

L'apparecchio è equipaggiato con fermi dei ripiani che permettono di assicurarli durante il trasporto.

Per rimuoverli, procedere come segue:

1. Spostare i fermi dei ripiani in direzione della freccia (A).
2. Sollevare il ripiano dalla parte posteriore e spingerlo in avanti fino a liberarlo (B).
3. Rimuovere i fermi (C).



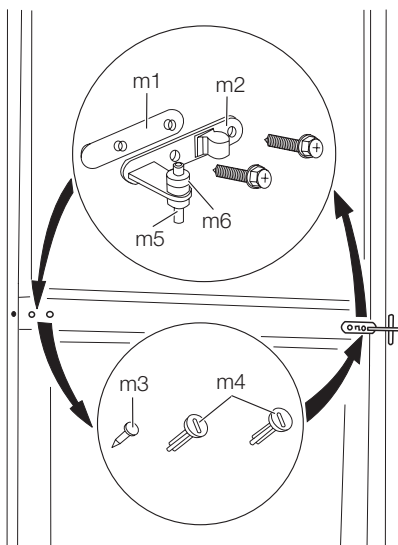
### Reversibilità della porta

**⚠ Avvertenza** Prima di eseguire le operazioni descritte, estrarre la spina dalla presa di corrente.

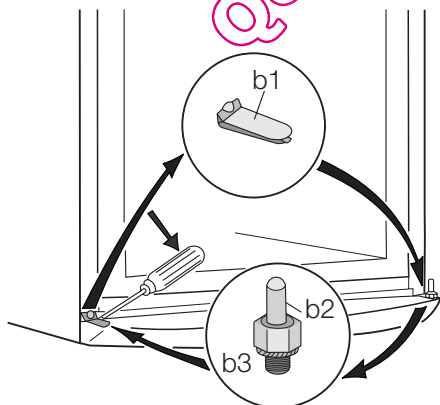
**Importante** Per eseguire le seguenti operazioni, si raccomanda di farsi aiutare da un'altra persona che tenga ben ferme le porte dell'apparecchiatura.

Per modificare il senso di apertura della porta, procedere come segue:

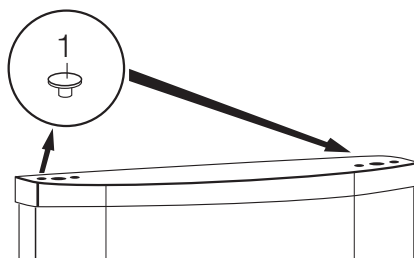
1. Aprire le porte. Svitare la cerniera centrale (m2). Rimuovere il distanziatore in plastica (m1).



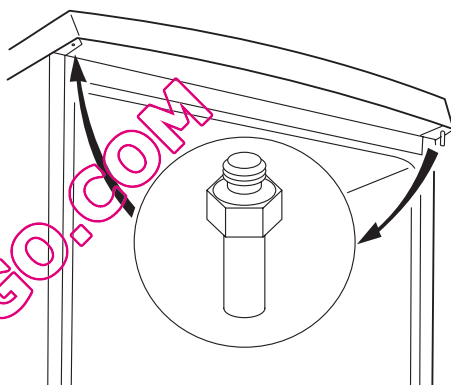
2. Rimuovere le porte.
3. Rimuovere il distanziatore (m6) e spostarlo sull'altro lato del perno della cerniera (m5).
4. Rimuovere il tappo (b1) usando un utensile adatto. Svitare il perno della cerniera inferiore (b2) e il distanziatore (b3) e fissarli sul lato opposto.
5. Reinscrivere il tappo (b1) sul lato opposto.



6. Reinscrivere i dispositivi di arresto (1) e spostarli sul lato opposto delle porte.



7. Svitare il perno della cerniera superiore (t1) e riavvitarlo sul lato opposto.



8. Rimuovere il tappino di copertura di sinistra della cerniera centrale (m3, m4) e spostarlo sull'altro lato.
9. Inserire il perno della cerniera centrale (m5) nel foro di sinistra della porta inferiore.
10. Reinscrivere la porta inferiore sul perno (b2) della cerniera inferiore.
11. Inserire la porta superiore sul perno della cerniera superiore (t1).
12. Reinscrivere la porta superiore sul perno della cerniera centrale (m5) inclinando leggermente le due porte.
13. Riavvitare la cerniera centrale (m2). Non dimenticare il distanziale di plastica (m1), inserito sotto la cerniera centrale. Verificare che i bordi delle porte siano paralleli al fianco dell'apparecchiatura.
14. Riposizionare l'apparecchio, livellarlo, attendere almeno quattro ore e inserire la spina nella presa.

Effettuare un controllo finale per verificare che:


- Tutte le viti siano serrate.

- La guarnizione magnetica aderisca all'apparecchiatura.
- La porta si apra e si chiuda correttamente.

Se la temperatura ambiente è bassa (ad esempio in inverno), è possibile che la guarnizione non aderisca perfettamente. In tal caso, attendere che aderisca naturalmente.

Per chi preferisce non eseguire direttamente le operazioni sopra descritte, consigliamo di rivolgersi al servizio assistenza più vicino. L'intervento di inversione delle porte, eseguito dai tecnici del servizio post-vendita, sarà a carico dell'utente.

## CONSIDERAZIONI AMBIENTALI

Il simbolo  sul prodotto o sulla confezione indica che il prodotto non deve essere considerato come un normale rifiuto domestico, ma deve essere portato nel punto di raccolta appropriato per il riciclaggio di apparecchiature elettriche ed elettroniche. Provvedendo a smaltire questo prodotto in modo appropriato, si contribuisce a evitare potenziali

conseguenze negative per l'ambiente e per la salute, che potrebbero derivare da uno smaltimento inadeguato del prodotto. Per informazioni più dettagliate sul riciclaggio di questo prodotto, contattare l'ufficio comunale, il servizio locale di smaltimento rifiuti o il negozio in cui è stato acquistato il prodotto.

QUELFRIGO.COM

## Electrolux. Thinking of you.

Saiba mais sobre a nossa filosofia em [www.electrolux.com](http://www.electrolux.com)

## ÍNDICE

Informações de segurança	46	Manutenção e limpeza	52
Funcionamento	48	O que fazer se...	54
Primeira utilização	49	Dados técnicos	56
Utilização diária	49	Instalação	56
Sugestões e conselhos úteis	51	Preocupações ambientais	59

Sujeito a alterações sem aviso prévio



## INFORMAÇÕES DE SEGURANÇA

Para a sua própria segurança e para garantir uma utilização correcta, antes de instalar e usar o aparelho pela primeira vez, leia atentamente este manual do utilizador, incluindo as suas sugestões e advertências. Para evitar erros e acidentes desnecessários, é importante que todas as pessoas que utilizam o aparelho conheçam o seu funcionamento e as características de segurança. Guarde estas instruções e certifique-se de que elas acompanham o aparelho em caso de transferência ou venda, para que todos os que venham a usá-lo estejam devidamente informados quanto à sua utilização e segurança.

Para sua segurança e da propriedade, guarde as precauções destas instruções de utilização, uma vez que o fabricante não é responsável pelos danos causados por omissão.

### Segurança para crianças e pessoas vulneráveis

- Este aparelho não se destina a ser utilizado por pessoas (incluindo crianças) com capacidades físicas, sensoriais ou mentais reduzidas ou sem experiência e conhecimento, excepto se lhes tiver sido dada supervisão ou instrução relativa à utilização do aparelho por uma pessoa responsável pela sua segurança. As crianças devem ser vigiadas para assegurar que não brincam com o aparelho.
- Mantenha todas as embalagens fora do alcance das crianças. Existe o risco de asfixia.
- Se eliminar o aparelho retire a ficha da tomada, corte o cabo eléctrico (o mais perto do aparelho possível) e retire a por-

ta para evitar que crianças a brincar sofram choques eléctricos ou se fechem dentro do aparelho.

- Se este aparelho, com vedantes de porta magnéticos for substituir um aparelho mais velho com fecho de mola (lingueta) na porta ou tampa, certifique-se de que o fecho de mola está desactivado antes de eliminar o velho aparelho. Tal irá evitar que se torne numa armadilha fatal para uma criança.

### Segurança geral



**Cuidado** Mantenha as aberturas de ventilação sem obstruções.

- O aparelho tem como objectivo guardar alimentos e/ou bebidas numa casa normal, como explicado neste manual de instruções.
  - Não utilize um dispositivo mecânico ou qualquer meio artificial para acelerar o processo de descongelação.
  - Não utilize outros aparelhos eléctricos (tais como máquinas de fazer gelados) dentro dos aparelhos de refrigeração, a não ser que sejam aprovados para este fim pelo fabricante.
  - Não danifique o circuito refrigerante.
  - O refrigerante isobutano (R600a) está contido no circuito refrigerante do aparelho, um gás natural com um alto nível de compatibilidade ambiental, que é, no entanto, inflamável.
- Durante o transporte e a instalação do aparelho, certifique-se de nenhum dos componentes do circuito refrigerante está danificado.

Se o circuito refrigerante se danificar:

- evite chamas livres e fontes de ignição

- ventile totalmente a divisão onde o aparelho se encontra
- É perigoso alterar as especificações ou efectuar qualquer tipo de alteração neste produto. Quaisquer danos no cabo poderão provocar um curto-circuito, incêndio e/ou choque eléctrico.



**Advertência** A substituição de qualquer componente eléctrico (cabo de alimentação, ficha, compressor) tem de ser efectuada por um agente de assistência certificado ou por pessoal técnico qualificado, para evitar perigo.

1. Não deve colocar extensões no cabo de alimentação.
  2. Certifique-se de que a ficha não está esmagada ou danificada pela parte traseira do aparelho. Uma ficha esmagada ou danificada pode sobreaquecer e causar um incêndio.
  3. Certifique-se de que consegue alcançar a ficha do aparelho.
  4. Não puxe o cabo de alimentação.
  5. Se a tomada da ficha de alimentação estiver solta, não introduza a ficha de alimentação. Existe um risco de choque eléctrico ou incêndio.
  6. Não deve utilizar o aparelho sem a tampa da lâmpada<sup>14)</sup> iluminação interior.
- Este aparelho é pesado. Tenha cuidado quando o deslocar.
  - Não retire nem toque nos itens do compartimento do congelador se estiver com as mãos molhadas, pois pode causar abrasões na pele ou queimaduras de gelo.
  - Evite a exposição prolongada do aparelho à luz solar directa.
  - As lâmpadas<sup>15)</sup> utilizadas neste aparelho são lâmpadas para efeitos especiais, seleccionadas apenas para aparelhos domésticos. Não são adequadas para iluminar uma divisão.

### Utilização diária

- Não coloque painéis quentes nas partes de plástico do aparelho.

- Não guarde gases ou líquidos inflamáveis no aparelho, porque podem explodir.
- Não coloque alimentos directamente contra a saída de ar na ventilação traseira.<sup>16)</sup>
- Depois de descongelados, os alimentos não devem ser recongelados.
- Guarde alimentos congelados pré-embalados de acordo com as instruções do fabricante do alimento congelado.
- As recomendações de armazenamento dos fabricantes do aparelho devem ser estritamente cumpridas. Consulte as respectivas instruções.
- Não coloque bebidas gaseificadas dentro do congelador, uma vez que cria pressão no recipiente, podendo fazer com que expluda, provocando danos no aparelho.
- Os gelados de gelo podem provocar queimaduras de gelos se forem consumidos imediatamente depois de retirados do aparelho.

### Limpeza e manutenção

- Antes da manutenção, desligue o aparelho e retire a ficha da tomada.
- Não limpe o aparelho com objectos de metal.
- Não utilize objectos afiados para remover o gelo do aparelho. Utilize um raspador de plástico.
- Inspeccione regularmente o orifício de descarga do frigorífico para presença de água descongelada. Se necessário, limpe o orifício de descarga. Se o orifício estiver bloqueado, a água irá acumular na parte inferior do aparelho.

### Instalação

**Importante** Para efectuar a ligação eléctrica, siga atentamente as instruções fornecidas nos parágrafos específicos.

- Desembale o aparelho e verifique se existem danos. Não ligue o aparelho se estiver danificado. Em caso de danos, informe imediatamente o local onde o adquiriu. Nesse caso, guarde a embalagem.
- É recomendável aguardar pelo menos duas horas antes de ligar o aparelho, pa-

14) Se a tampa da lâmpada tiver

15) Se a lâmpada estiver prevista

16) Se o aparelho for Frost Free.

ra permitir que o óleo regresse ao compressor.

- Assegure uma circulação de ar adequada à volta do aparelho, caso contrário pode provocar sobreaquecimento. Para garantir uma ventilação suficiente, siga as instruções relevantes para a instalação.
- Sempre que possível, a traseira do aparelho deve ficar virada para uma parede para evitar toques nas partes quentes (compressor, condensador) e possíveis queimaduras.
- Não coloque o aparelho perto de radiadores ou fogões.
- Certifique-se de que a ficha de alimentação fica acessível após a instalação do aparelho.
- Ligue apenas a uma fonte de água potável. <sup>17)</sup>

### Assistência

- Quaisquer trabalhos eléctricos necessários para a manutenção do aparelho devem ser efectuados por um electricista qualificado ou pessoa competente.

## FUNCIONAMENTO

### Ligar

Introduza a ficha na tomada. Rode o regulador de temperatura no sentido dos ponteiros do relógio para uma definição média.

### Desligar


Para desligar o aparelho, rode o regulador de temperatura para a posição "0".

### Regulação da temperatura

A temperatura é regulada automaticamente.



Para utilizar o aparelho, proceda do seguinte modo:

- rode o regulador de temperatura para definições inferiores para obter a frescura mínima.
- rode o regulador de temperatura para definições superiores para obter a frescura máxima.

 Normalmente, uma definição média é a mais adequada.

- A manutenção deste produto deve ser efectuada por um Centro de Assistência autorizado, o qual deverá utilizar apenas peças sobressalentes originais.

### Protecção ambiental

 Este aparelho não contém gases que possam danificar a camada de ozono, tanto no circuito refrigerante como nos materiais de isolamento. O aparelho não deverá ser eliminado juntamente com o lixo doméstico. A espuma de isolamento contém gases inflamáveis: o aparelho deverá ser eliminado de acordo com as normas aplicáveis que pode obter junto das autoridades locais. Evite danificar a unidade de arrefecimento, especialmente na parte traseira, perto do permutador de calor. Os materiais utilizado neste aparelho marcados pelo símbolo  são recicláveis.

No entanto, a definição exacta deve ser escolhida tendo em conta que a temperatura dentro do aparelho depende da:

- temperatura ambiente
- frequência de abertura da porta
- quantidade de alimentos conservados
- localização do aparelho.

**Importante** Se a temperatura ambiente for alta ou se o aparelho estiver completamente cheio e estiver definido para as temperaturas mais baixas, pode funcionar continuamente causando a formação de gelo na parede de fundo. Neste caso, o selector tem de estar definido para uma temperatura mais elevada para permitir descongelação automática e, por isso, consumo de energia reduzido.

<sup>17)</sup> Se estiver prevista uma ligação hídrica



## PRIMEIRA UTILIZAÇÃO

### Limpeza do interior

Antes de utilizar o aparelho pela primeira vez, limpe o interior e todos os acessórios internos com água morna e sabão neutro de modo a remover o cheiro típico de um produto novo, de seguida seque minuciosamente.

## UTILIZAÇÃO DIÁRIA

### Congelção de alimentos frescos

O compartimento congelador é adequado para a congelação de alimentos frescos e para a conservação a longo prazo de alimentos congelados e ultracongelados.

Para congelar alimentos frescos não é necessário alterar a definição média.

No entanto, para uma operação de congelação mais rápida, rode o regulador de temperatura para definições superiores para obter a frescura máxima.

**Importante** Nesta condição, a temperatura do compartimento do congelador pode descer abaixo dos 0°C. Se isto ocorrer reinicie o regulador de temperatura para uma definição mais quente.

Coloque os alimentos frescos a serem congelados no compartimento superior.

### Armazenamento de alimentos congelados

Quando ligar pela primeira vez ou após um período sem utilização, antes de colocar os produtos no compartimento, deixe o aparelho em funcionamento durante no mínimo 2 horas nas definições mais elevadas.

**Importante** Em caso de descongelação accidental, por exemplo, devido a falta de electricidade, se a alimentação estiver desligada por mais tempo que aquele mostrado na tabela de características técnicas em "tempo de reinício", os alimentos descongelados têm de ser consumidos rapidamente ou cozinhados imediatamente e depois, novamente congelados (depois de arrefecerem).

### Descongelação

Os alimentos congelados, antes de serem utilizados, podem ser descongelados no

**Importante** Não utilize detergentes ou pós abrasivos, pois estes danificam o acabamento.

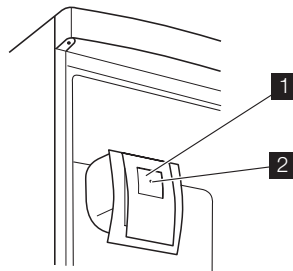
compartimento do frigorífico ou à temperatura ambiente, dependendo do tempo disponível para esta operação.

Os pedaços pequenos podem mesmo ser cozinhados ainda congelados, directamente do congelador: neste caso, a confecção irá demorar mais.

### Refrigeração do ar

A ventoinha da Refrigeração Dinâmica do Ar (DAC-Dynamic Air Cooling) permite refrigerar rapidamente os alimentos e obter uma temperatura mais uniforme dentro do compartimento.

Podrá ligar a ventoinha, premindo o interruptor (1). A luz verde (2) acender-se-á.

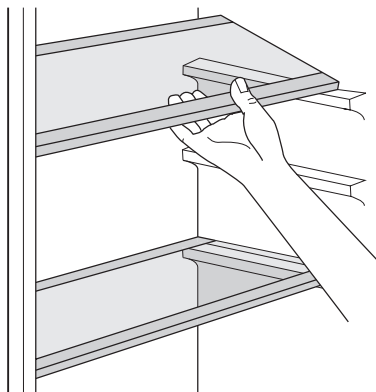


Este dispositivo permite uma rápida refrigeração dos alimentos e uma temperatura mais uniforme no compartimento.

**Importante** Ligue a ventoinha quando a temperatura ambiente exceder os 25 °C.

### Prateleiras móveis

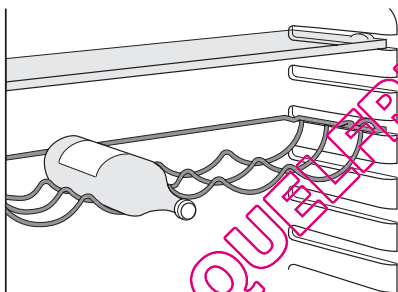
As paredes do frigorífico estão equipadas com uma série de guias de modo a que as prateleiras possam ser posicionadas como quiser.



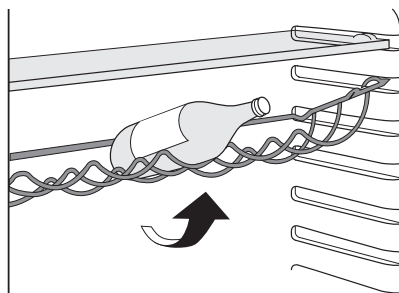
### Prateleira para garrafas

Coloque as garrafas (com a abertura para a frente) na prateleira pré-posicionada.

**Importante** Se a prateleira estiver colocada na horizontal coloque apenas garrafas fechadas.



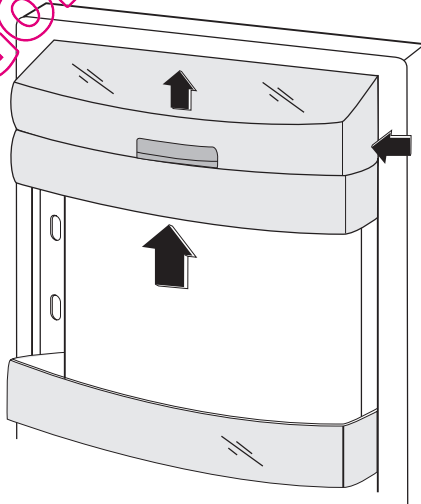
Esta prateleira suporte para garrafas pode ser inclinada para poder armazenar garrafas que já tenham sido abertas. Para tal, puxe a prateleira para cima para que possa rodar para cima e ser colocada no nível seguinte em cima.



### Posicionar as prateleiras da porta

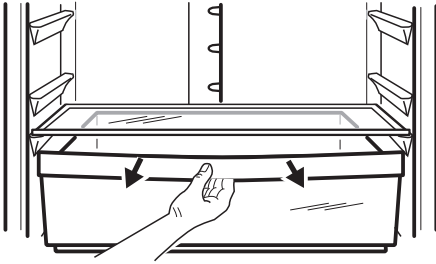
Para permitir o armazenamento de embalagens de alimentos de vários tamanhos, as prateleiras da porta podem ser colocadas a diferentes alturas.

Para fazer estes ajustes, proceda do seguinte modo: puxe gradualmente a prateleira na direcção das setas até se soltar, de seguida, reposicione como quiser.



### Gaveta FreshZone

A FreshZone gaveta é adequada para guardar alimentos frescos como peixe, carne, marisco, pois a temperatura é mais baixa aqui do que no resto do frigorífico.

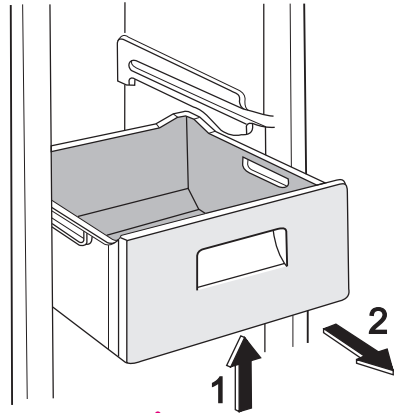


### Remover os cestos de congelação do congelador

Os cestos de congelação têm um batente limitador para evitar a sua remoção acidental ou queda. Quando necessitar de o retirar do congelador, puxe o cesto para si e, ao atingir o batente, incline a frente para cima para retirar o cesto.

Para voltar a colocá-lo, levante ligeiramente a frente do cesto para o introduzir no con-

gelador. Assim que passar pelos batentes, empurre os cestos para a sua posição.



## SUGESTÕES E CONSELHOS ÚTEIS

### Sons de funcionamento normais

- Poderá um ouvir um som de gorgolejar ténue quando o refrigerante estiver a ser bombeado através das bobinas ou tubagens. Isto está correcto.
- Quando o compressor está ligado, o refrigerante está a ser bombeado e ouvirá um som surdo e um ruído pulsante proveniente do compressor. Isto está correcto.
- A dilatação térmica poderá provocar um ruído repentino de estilhaçar. É natural e não constitui um fenómeno físico perigoso. Isto está correcto.
- Quando o compressor ligar e desligar, ouvirá um "clique" ténue no regulador da temperatura. Isto está correcto.

### Conselhos para poupar energia

- Não abra muitas vezes a porta nem a deixe aberta mais tempo do que o necessário.
- Se a temperatura ambiente for alta e o regulador de temperatura se encontrar na definição de baixa temperatura com o aparelho completamente cheio, o compressor pode funcionar continuamente, causando gelo no evaporador. Se isto

acontecer, coloque o regulador de temperatura em definições mais quentes, para permitir a descongelação automática, poupando assim no consumo de electricidade.

### Conselhos para a refrigeração de alimentos frescos

Para obter o melhor desempenho:

- não guarde alimentos quentes ou líquidos que se evaporam no frigorífico
- cubra ou embrulhe os alimentos, particularmente se tiverem um cheiro forte
- posicione os alimentos de modo a que o ar possa circular livremente em redor

### Conselhos para a refrigeração

Conselhos úteis:

Carne (todos os tipos) : embrulhe em sacos de politeno e coloque na prateleira de vidro acima da gaveta de vegetais.

Por motivos de segurança, guarde desta forma por um dia ou dois no máximo.

Alimentos cozinhados, pratos frios, etc: estes devem estar cobertos e podem ser colocados em qualquer prateleira.

Fruta e vegetais: estes devem ser minuciosamente limpos e colocados nas gavetas especiais fornecidas.

Manteiga e queijo: estes devem ser colocados em recipientes herméticos especiais ou embrulhados em folha de alumínio ou sacos de polieteno para excluir o máximo de ar possível.

Garrafas de leite: estas devem ter uma tampa e devem ser armazenadas na prateleira de garrafas na porta.

Bananas, batatas, cebolas e alho, se não estiverem embalados, não devem ser guardados no frigorífico.

### Conselhos para a congelação

Para o ajudar a tirar partido do processo de congelação, eis alguns conselhos importantes:

- a quantidade máxima de alimentos que pode ser congelada em 24h. está mostrada na placa de dados;
- O processo de congelamento demora 24 horas. Não devem ser adicionados mais alimentos para congelação durante este período;
- congele apenas alimentos de alta qualidade, frescos e extremamente limpos;
- Prepare os alimentos em pequenas quantidades para permitir que sejam rápida e completamente congeladas e para tornar possível subsequentemente descongelar apenas a quantidade necessária;
- embrulhe os alimentos em folha de alumínio ou polieteno e certifique-se de que as embalagens são herméticas;


- Não permita que os alimentos frescos e descongelados entrem em contacto com os alimentos já congelados, evitando assim o aumento de temperatura dos alimentos congelados;
- os alimentos sem gordura são melhores para armazenar que os alimentos com gordura; o sal reduz o tempo de armazenamento dos alimentos;
- a água congela. Se for consumida imediatamente após a remoção do compartimento do congelador, poderá causar queimaduras de gelo na pele;
- é aconselhável que anote a data de congelação em cada embalagem individual para permitir que saiba o tempo de armazenamento.


### Conselhos para o armazenamento de alimentos congelados

Para obter o melhor desempenho deste aparelho, deve:

- certificar-se de que os alimentos congelados comercialmente foram armazenados adequadamente pelo vendedor;
- ter a certeza que os alimentos congelados são transferidos do supermercado para o congelador no tempo mais curto possível;
- não abra muitas vezes a porta nem a deixe aberta mais tempo do que o necessário.
- Uma vez descongelados, os alimentos degradam rapidamente e não podem tornar a ser congelados.
- Não exceda o período de armazenamento indicado pelo fabricante de alimentos.

## MANUTENÇÃO E LIMPEZA

 **Cuidado** Retire a ficha da tomada antes de efectuar qualquer operação de manutenção.

 Este aparelho contém hidrocarbonetos na sua unidade de arrefecimento; a manutenção e a recarga devem, por isso, ser efectuadas exclusivamente por técnicos autorizados.

### Limpeza periódica

O equipamento tem de ser limpo regularmente:

- limpe o interior e os acessórios com água morna e sabão neutro.

- verifique regularmente os vedantes de porta e limpe-os para se certificar de que estão limpos e sem resíduos.
- lave e seque minuciosamente.

**Importante** Não puxe, desloque nem danifique quaisquer tubos e/ou cabos dentro do armário.

Nunca utilize detergentes, pós abrasivos, produtos de limpeza muito perfumados ou cera de polir para limpar o interior, pois isto irá danificar a superfície e deixar um odor forte.

Limpe o condensador (grelha preta) e o compressor no fundo do aparelho com uma escova ou um aspirador. Esta operação irá melhorar o desempenho do aparelho e poupar o consumo de electricidade.

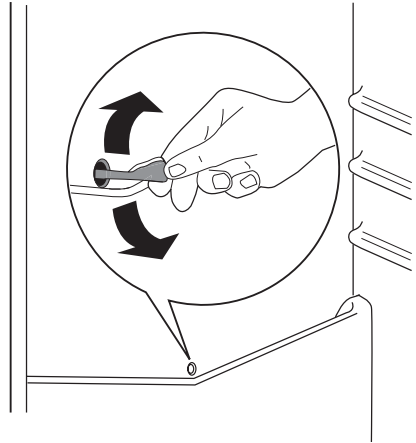
**Importante** Tenha cuidado para não danificar o sistema de arrefecimento.

Muitos agentes de limpeza de superfícies de cozinhas contêm químicos que podem atacar/danificar os plásticos usados neste aparelho. Por esta razão é aconselhável que a estrutura exterior deste aparelho seja limpa apenas com água morna com um pouco de solução de limpeza adicionada. Após a limpeza, volte a ligar o equipamento à tomada de alimentação.

### Descongelo o frigorífico

O gelo é automaticamente eliminado do evaporador do compartimento do frigorífico sempre que o compressor de motor pára, durante a utilização normal. A água resultante da descongelação é descarregada por um canal para um recipiente especial, colocado na parte traseira por cima do aparelho, sobre o compressor de motor, onde evapora.

É importante limpar periodicamente o orifício de descarga da água resultante da descongelação no centro do canal do compartimento do frigorífico para evitar que um fluxo excessivo de água pingue sobre os alimentos. Utilize o agente de limpeza fornecido, que irá encontrar já inserido no orifício de descarga.



### Descongelo o congelador

Vai sempre formar-se uma certa quantidade de gelo nas prateleiras do congelador e em redor de compartimento superior.

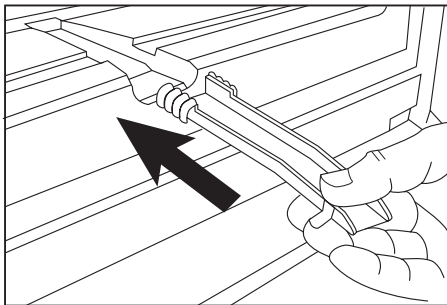
Descongele o congelador quando a camada de gelo atingir uma espessura de cerca de 3-5 mm.

Para remover o gelo, execute estes passos:

- retire a ficha da tomada ou desligue o aparelho
- retire os alimentos armazenados, envolva-os em várias páginas de jornal e coloque-os num local frio
- retire as gavetas do congelador
- coloque material isolante à volta das gavetas, p. ex. cobertores ou jornais.

Pode acelerar a descongelação colocando tigelas com água quente (não a ferver) no congelador.

- Solte o canal de drenagem da posição de repouso, puxe-o de acordo com a ilustração e coloque-o no fundo do congelador onde a água pode acumular
- raspe com cuidado o gelo quando começar a descongelar. Use um raspador de madeira ou de plástico
- quando o gelo tiver derretido todo, limpe e seque o congelador e volte a colocar o canal de drenagem no respectivo local.



- ligue o aparelho e volte a colocar os alimentos congelados.

**Recomenda-se deixar o aparelho a funcionar durante algumas horas na posi-**

**ção mais alta do termostato para que a temperatura de armazenamento adequada seja atingida o mais rápido possível.**

**Importante** Nunca utilize ferramentas de metal pontiagudas para raspar o gelo do evaporador, pois pode danificá-lo. Não utilize um dispositivo mecânico ou qualquer meio artificial para acelerar o processo de descongelação além daqueles recomendados pelo fabricante. Um aumento de temperatura das embalagens de alimentos congelados, durante a descongelação, pode encurtar a vida útil de armazenamento.

## O QUE FAZER SE...

**⚠ Cuidado** Antes da resolução de problemas, retire a ficha da tomada. A resolução de problemas que não se encontram no manual só deve ser efectuada por um electricista qualificado ou uma pessoa competente.

**Importante** Existem alguns ruídos durante a utilização normal (compressor, circulação de refrigerante).

Problema	Possível causa	Solução
<b>O aparelho faz barulho.</b>	O aparelho não está apoiado correctamente.	Verifique se o aparelho está estável (os quatro pés devem estar no chão).
<b>O compressor funciona continuamente.</b>	O regulador da temperatura pode estar mal definido. A porta não está fechada correctamente. A porta foi aberta muitas vezes.	Defina uma temperatura mais elevada. Consulte "Fechar a porta". Não mantenha a porta aberta mais tempo do que o necessário.
	A temperatura do produto está muito alta.	Deixe que a temperatura do produto diminua até à temperatura ambiente antes de o guardar.
	A temperatura ambiente está muito alta.	Diminua a temperatura ambiente.
<b>A água escorre na placa traseira do frigorífico.</b>	Durante o processo de descongelação automático, o gelo é descongelado na placa traseira.	Isto está correcto.
<b>A água escorre para o frigorífico.</b>	A saída de água está obstruída.	Limpe a saída da água.
	Os produtos evitam que a água esorra para o colector de água.	Certifique-se de que os produtos não tocam na placa traseira.
<b>A água escorre para o chão.</b>	A saída de água descongelada não escorre para o tabuleiro de evaporação acima do compressor.	Engate a saída de água descongelada no tabuleiro de evaporação.

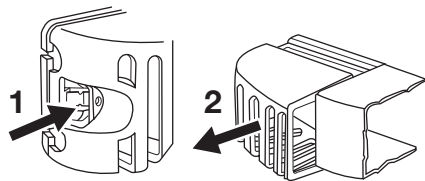
Problema	Possível causa	Solução
<b>Existe demasiado gelo.</b>	Os produtos não estão embalados correctamente.	Embale os produtos correctamente.
	A porta não está fechada correctamente.	Consulte "Fechar a porta".
	O regulador da temperatura pode estar mal definido.	Defina uma temperatura mais elevada.
<b>A temperatura no aparelho está demasiado baixa.</b>	O regulador da temperatura pode estar mal definido.	Defina uma temperatura mais elevada.
<b>A temperatura no aparelho está demasiado alta.</b>	O regulador da temperatura pode estar mal definido.	Defina uma temperatura mais baixa.
	A porta não está fechada correctamente.	Consulte "Fechar a porta".
	A temperatura do produto está muito alta.	Deixe que a temperatura do produto diminua até à temperatura ambiente antes de o guardar.
	Muitos produtos armazenados ao mesmo tempo.	Armazene menos produtos ao mesmo tempo.
<b>A temperatura no frigorífico está demasiado alta.</b>	Não existe circulação de ar frio no aparelho.	Certifique-se de que existe circulação de ar frio no aparelho.
<b>A temperatura no congelador está demasiado alta.</b>	Os produtos estão demasiado perto uns dos outros.	Armazene os produtos de forma a haver circulação de ar frio.
<b>O aparelho não funciona.</b>	O aparelho está desligado.	Ligue o aparelho.
	A ficha não está correctamente inserida na tomada.	Ligue a ficha do aparelho correctamente à tomada de alimentação.
	O aparelho não tem alimentação. Não existe tensão na tomada.	Ligue um aparelho eléctrico diferente à tomada. Contacte um electricista qualificado.
<b>A lâmpada não funciona.</b>	A lâmpada está no modo de espera.	Feche e abra a porta.
	A lâmpada está defeituosa.	Consulte "Substituir a lâmpada".

Se o seu aparelho continuar a não funcionar correctamente depois de ter efectuado as verificações acima mencionadas, contacte o Centro de pós-venda.

### Substituir a lâmpada

1. Desligue o aparelho.
2. Pressione a parte móvel para soltar a tampa da lâmpada (1).
3. Retire a tampa da lâmpada (2).
4. Substitua a lâmpada por uma com a mesma potência e especialmente concebida apenas para aparelhos domésticos.
5. Instale a tampa da lâmpada.
6. Ligue o aparelho.

7. Abra a porta. Certifique-se de que a lâmpada acende.



### Fechar a porta

1. Limpe as juntas da porta.
2. Se necessário, ajuste a porta. Consulte "Instalação".

3. Se necessário, substitua as juntas de porta defeituosas. Contacte o Centro de Assistência.

## DADOS TÉCNICOS

Dimensões		
	Altura	1850 mm
	Largura	595 mm
	Profundidade	658 mm
Tempo de arranque		20 h
Tensão		230 V
Frequência		50 Hz

As informações técnicas encontram-se na placa de dados no lado esquerdo interno do aparelho e na etiqueta de energia.

## INSTALAÇÃO

- ⚠ Leia as "Informações de segurança" cuidadosamente para a sua segurança e funcionamento correcto do aparelho antes de o instalar.

### Posicionamento

Instale este aparelho num local com uma temperatura ambiente que corresponde à classe climática indicada na placa de dados do aparelho:

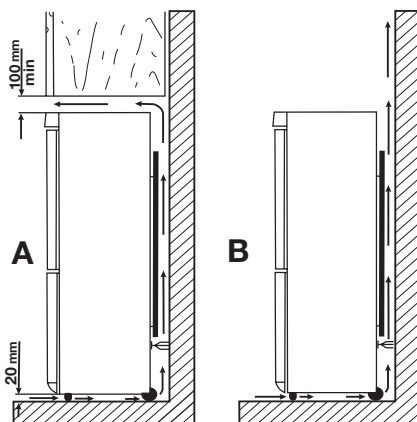
Classe climática	Temperatura ambiente
SN	+10 °C a +32 °C
N	+16 °C a +32 °C
ST	+16 °C a +38 °C
T	+16 °C a +43 °C

### Local

O aparelho deve ser instalado afastado de fontes de calor, como sejam radiadores, termoacumuladores, luz solar directa, etc. Certifique-se de que o ar pode circular livremente na traseira do aparelho. Para garantir o melhor desempenho, se o aparelho estiver sob um armário suspenso, a distância mínima entre o topo do aparelho e o armário é de 100 mm. No entanto, o aparelho não deve ser colocado sob armários suspensos. O nivelamento preciso é garantido

po um ou mais pés ajustáveis na base do aparelho.

- ⚠ **Advertência** Tem de ser possível desligar o aparelho da fonte de corrente; Assim, a ficha tem de estar facilmente acessível após a instalação.



### Ligação eléctrica

Antes de ligar, certifique-se de que a tensão e a frequência indicadas na placa de dados correspondem à fonte de alimentação doméstica.

O aparelho deve ter uma ligação à terra. A ficha do cabo de alimentação é fornecida



com um contacto para este objectivo. Se a tomada da fonte de alimentação doméstica não estiver ligada à terra, ligue o aparelho a uma ligação à terra separada, em conformidade com as normas actuais, consultando um electricista qualificado.

O fabricante declina toda a responsabilidade caso as precauções de segurança acima não sejam cumpridas.

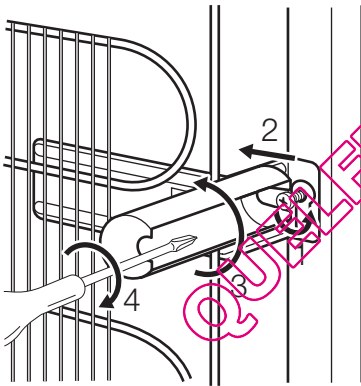
Este aparelho cumpre com as directivas E.E.C.

### Separadores traseiros

Pode encontrar os dois espaçadores no saco da documentação.

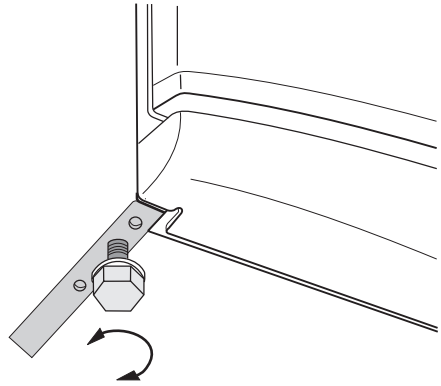
Execute estes passos para instalar os espaçadores:

1. Liberte o parafuso.
2. Introduza o espaçador por baixo do parafuso.
3. Rode o espaçador para a posição correcta.
4. Volte a apertar os parafusos.



### Nivelamento

Quando instalar o aparelho assegure-se de que fica nivelado. Isto pode ser obtido através de dois pés ajustáveis na base, à frente.

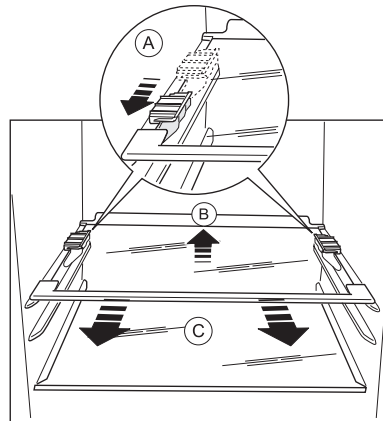


### Retirar os suportes das prateleiras

O aparelho está equipado com retentores de prateleiras que possibilitam fixá-las durante o transporte.

Para os remover, proceda do seguinte modo:

1. Desloque os suportes das prateleiras na direcção da seta (A).
2. Levante a prateleira na parte de trás e puxe-a para a frente até a soltar (B).
3. Retire os retentores (C).



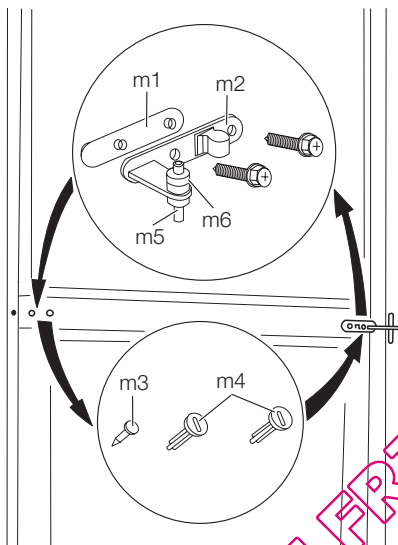
### Reversibilidade da porta

**!** **Advertência** Antes de executar qualquer operação retire a ficha da tomada.

**Importante** Recomendamos que execute as seguintes operações com outra pessoa, que irá segurar as portas do aparelho durante as operações.

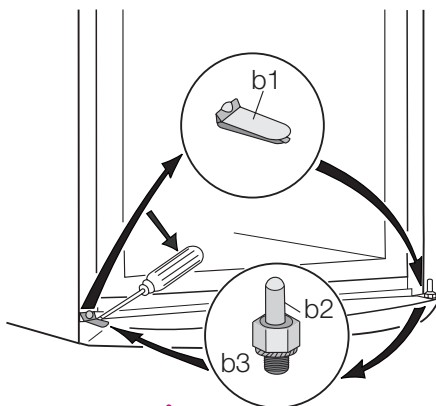
Para alterar o sentido de abertura, faça o seguinte:

1. Abra a porta. Desaparafuse a dobradiça do meio (m2). Retire o espaçador de plástico (m1).

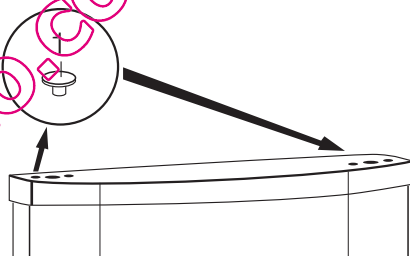


2. Retire as portas.
3. Retire o espaçador (m6) e mová-o para o outro lado da cavilha da dobradiça (m5).
4. Retire a cobertura (b1) com a ajuda de uma ferramenta. Desaparafuse o pino (b2) da dobradiça inferior e o espaçador (b3) e coloque-os no lado oposto.

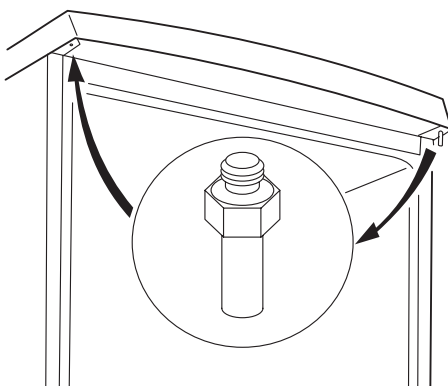
5. Volte a inserir a cobertura (b1) no lado oposto.



6. Retire os espaçadores (1) e coloque-os no lado oposto das portas.



7. Desaparafuse o pino da dobradiça superior (t1) e aparafuse-o-o no lado oposto.



8. Retire os pinos de cobertura à esquerda da dobradiça central (m3,m4) e coloque no lado oposto.

9. Coloque o pino da dobradiça central (m5) no orifício à esquerda da porta inferior.
10. Volte a colocar a porta inferior no pino (b2) da dobradiça inferior.
11. Coloque a porta superior no pino da dobradiça superior (t1).
12. Volte a colocar a porta superior na dobradiça central (m5) inclinando ligeiramente as duas portas.
13. Volte a aparafusar a dobradiça central (m2). Não se esqueça do espaçador de plástico (m1) inserido por baixo da dobradiça central. Certifique-se de que os rebordos das portas ficam paralelas ao rebordo lateral do aparelho.
14. Volte a colocar o aparelho no sítio e nivele-o, aguarde pelo menos quatro horas e ligue-o à tomada.


Faça uma verificação final para se certificar de que:

- Todos os parafusos estão apertados.
- A junta magnética está colada ao aparelho.
- A porta abre e fecha correctamente.

Se a temperatura ambiente for fria (por ex. no Inverno), pode acontecer que a junta não adira perfeitamente ao aparelho. Nesse caso, aguarde o encaixe natural do vedante.

Caso não queira executar as operações acima mencionadas, contacte o Centro de Apoio ao Cliente mais perto. Os custos da execução da reversibilidade das portas pelo técnico do Centro de Apoio ao Cliente serão suportados por si.

## PREOCUPAÇÕES AMBIENTAIS

O símbolo  no produto ou na embalagem indica que este produto não pode ser tratado como lixo doméstico. Em vez disso, deve ser entregue ao centro de recolha selectiva para a reciclagem de equipamento eléctrico e electrónico. Ao garantir uma eliminação adequada deste produto, irá ajudar a evitar eventuais consequências negativas para o meio

ambiente e para a saúde pública, que, de outra forma, poderiam ser provocadas por um tratamento incorrecto do produto. Para obter informações mais pormenorizadas sobre a reciclagem deste produto, contacte os serviços municipalizados locais, o centro de recolha selectiva da sua área de residência ou o estabelecimento onde adquiriu o produto.



[www.electrolux.com/shop](http://www.electrolux.com/shop)



QUELFRIGO.COM